

Part number:

**HYDROMA**

HYDRAULICKÉ SYSTÉMY

**HIDROMA**  
SYSTEMS

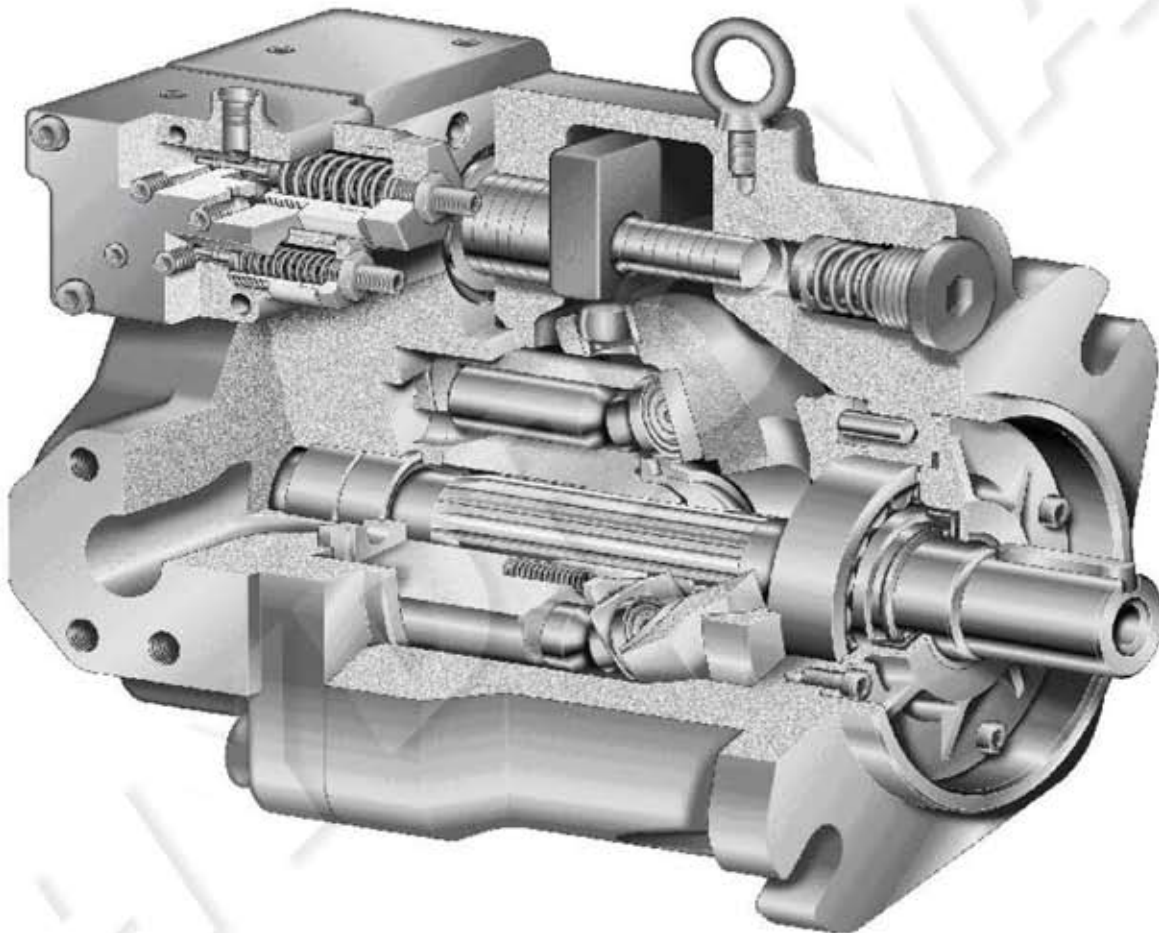
UKŁADY HYDRAULICZNE

**HYDROMA**

ГИДРАВЛИЧЕСКИЕ СИСТЕМЫ

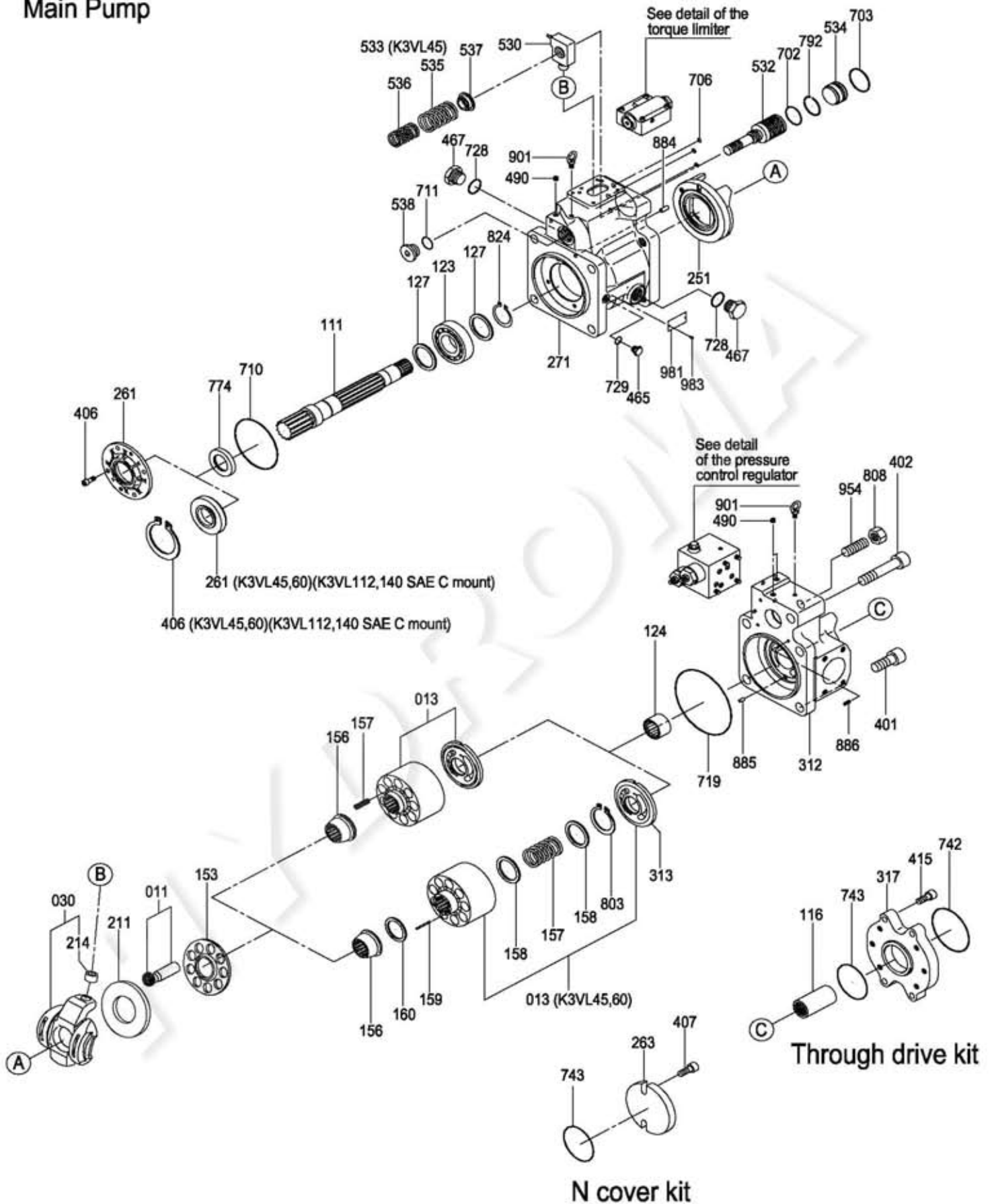
## Parts Listing

### K3VL 45, 60, 80, 112, 140, 200 Axial Piston Pump



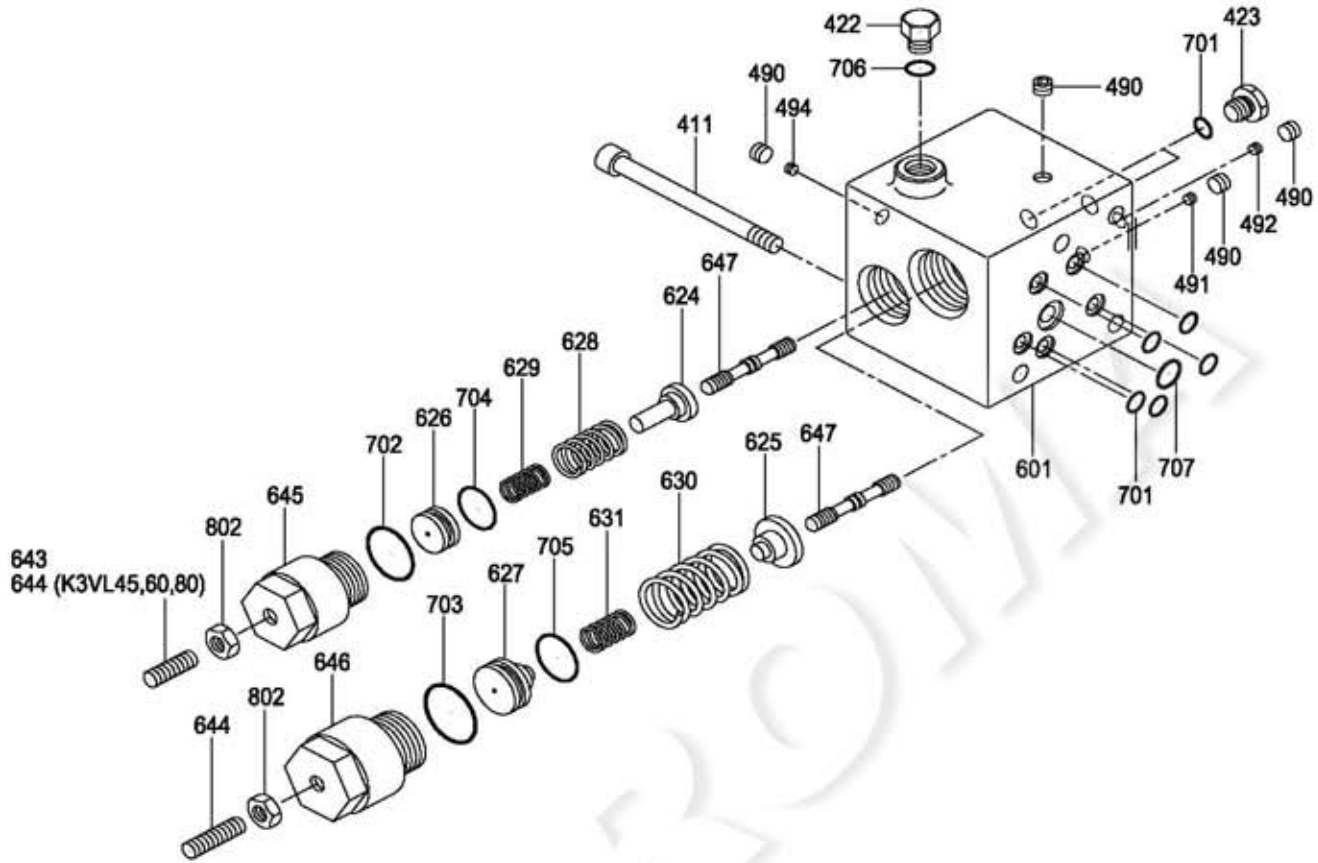
# Exploded View

## Main Pump

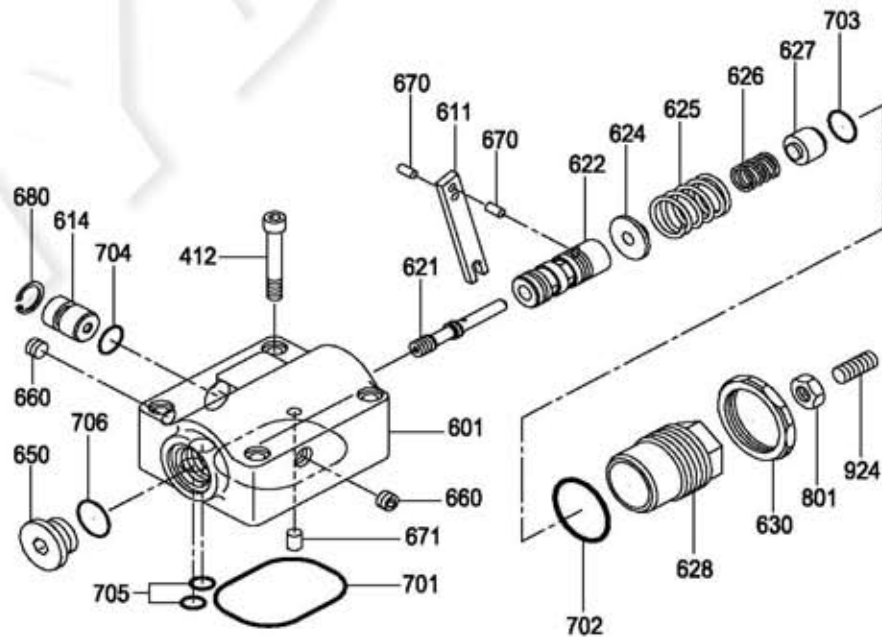


## Exploded View

### Pressure Cut-off and Load Sensing Control Detail



### Torque Limit Module Detail



# Spare Parts List

## K3VL 45, 60, 80

CODE	DESCRIPTION	K3VL45		K3VL60		K3VL80	
		QTY	Part #	QTY	Part #	QTY	Part #
<b>Main Pump</b>							
011	Piston group assembly (9 pieces)	1	P-29245300470K	1	P-29212500345	1	P-29245300454K
013	Cylinder-Valve Plate Assembly						
	Clockwise	1	P-29211900320K	1	P-29211900329	1	P-29211900322TK
	Counterclockwise	1	P-29211900321K	1	P-29211900335	1	P-29211900323K
030	Swashplate assembly	1	P-29241500131KD	1	P-29241500347	1	P-2953802301
111	Drive shaft						
	"K" SAE keyed shaft	1	P-29242500499K	1	P-29242500499K	1	P-29242500374
	"K" SAE keyed shaft w/thru-drive	1	P-29242500537K	1	P-29242500537K	1	P-29242500529
	"S" SAE spline shaft	1	P-29242500530	1	P-29242500530	1	P-29242500429
	"S" SAE spline shaft w/thru-drive	1	P-29242500538K	1	P-29242500538K	1	P-29242500449K
	"T" SAE spline shaft	1	P-29242500595K	1	P-29242500595K	0	---
	"T" SAE spline shaft w/thru drive	1	P-29242500596	1	P-29242500596	0	---
	"C" SAE spline shaft	0	---	0	---	0	---
	"C" SAE spline shaft w/thru-drive	0	---	0	---	0	---
	"X" SAE keyed shaft	0	---	0	---	0	---
	"X" SAE keyed shaft w/thru-drive	0	---	0	---	0	---
	"W" SAE spline shaft	0	---	0	---	0	---
	"W" SAE spline shaft w/thru-drive	0	---	0	---	0	---
	"Y" SAE keyed shaft	0	---	0	---	0	---
"Y" SAE keyed shaft w/thru-drive	0	---	0	---	0	---	
115	Driveshaft key						
	"K" SAE keyed shaft	1	P-29031800063	1	P-29031800063	1	P-29031800062K
	"X" SAE keyed shaft	0	---	0	---	0	---
	"Y" SAE keyed shaft	0	---	0	---	0	---
123	Front roller bearing	1	P-PNUP206ET	1	P-PNUP206ET	1	P-PNUP307R1KD
124	Rear needle bearing	1	P-PRNA5922	1	P-PRNA5922	1	P-PAJ502809BKD
127	Bearing spacer	2	P-38300127	2	P-38300127	2	P-38600127AKD
153	Set plate	1	P-3840018153	1	P-29241100215	1	P-29241100009K
156	Spherical bush[ing]	1	P-3753700845	1	P-3753700845	1	P-29246100029K
157	Cylinder spring	1	P-38400157	1	P-38400157	9	P-2953801623KD
158	Ring guide	2	P-38400158	2	P-38400158	0	---
159	Roller [pin]	6	P-PJR328F	6	P-PJR328F	0	---
160	Spacer [plate]	1	P-38400160	1	P-38400160	0	---
211	Shoe plate	1	P-3753700859KD	1	P-3753700859KD	1	P-2953801742KD
214	Tilting pin bushing	1	P-P1R152012KD	1	P-P1R152012KD	1	P-P1R152012KD
251	Swashplate support						
	Clockwise	1	P-29233300120	1	P-29233300120	1	P-29233300111
	Counterclockwise	1	P-29233300121	1	P-29233300121	1	P-29233300115
261	[Shaft] seal cover						
	Standard Mounting	1	P-29231500461	1	P-29231500461	1	P-29231500139
271	Pump casing (SAE mounting and ports)						
	W/out torque limit interface	1	P-29232500131	1	P-29232500131	1	P-29232500126
	W/torque limit interface	1	P-29232500125	1	P-29232500125	1	P-29232500123

# Spare Parts List

## K3VL 45, 60, 80

CODE	DESCRIPTION	K3VL45		K3VL60		K3VL80	
		QTY	Part #	QTY	Part #	QTY	Part #
<b>Main Pump (continued)</b>							
312	Valve cover (Clockwise w/Unified threads)						
	W/side ports and no thru-drive	1	P-29231100321K	1	P-29231100321K	1	P-29231100305
	W/side ports and thru-drive	1	P-29231100320	1	P-29231100320	1	P-29231100310
	*R* w/rear ports	1	P-29231100423	1	P-29231100423	1	P-29231100425K
	Valve cover (Counterclockwise w/Unified threads)						
	*O* w/side ports and no thru-drive		---		---		---
313	W/side ports and thru-drive	1	P-29231100324K	1	P-29231100324K	1	P-29231100311
	*R* w/rear ports	1	P-29231100424	1	P-29231100424	1	P-29231100426K
401	Valve Plate (45 and 60 ONLY)						
	Clockwise	1	P-29247100686	1	P-29247100702		---
402	Counterclockwise	1	P-29247100699	1	P-29247100719		---
	S.H.C.S. (Valve cover to pump casing)	4	P-0SBM1445	4	P-0SBM1445	4	P-0SBM1650
402	S.H.C.S. (Valve cover to pump casing)	0	---	0	---	0	---
406	[Shaft seal cover]						
	Retaining ring	1	P-0RR65	1	P-0RR65	0	---
465	S.H.C.S.	0	---	0	---	4	P-0SBM616KD
	[Air bleed] plug						
467	SAE type	1	P-PPU7KD	1	P-PPU7KD	1	P-PPU7KD
	[Case drain] plug						
490	SAE type	2	P-PPU12	2	P-PPU12	2	P-PPU12
	[Pump casing and Valve cover] Seal coated plug						
492	Clockwise w/out torque limit	5	P-PBP1162403KD	5	P-PBP1162403KD	6	P-PBP1162403KD
	Clockwise w/torque limit	6	P-PBP1162403KD	6	P-PBP1162403KD	6	P-PBP1162403KD
	Counterclockwise w/out torque limit	7	P-PBP1162403KD	7	P-PBP1162403KD	8	P-PBP1162403KD
	Counterclockwise w/torque limit	8	P-PBP1162403KD	8	P-PBP1162403KD	8	P-PBP1162403KD
530	[Swash plate support] plug						
	Clockwise		---		---		---
532	Counterclockwise	1	P-PHK040L	1	P-PHK040L	1	P-PHK040L
	Tilting pin assembly	1	P-29211500011	1	P-29211500011	1	P-2953802963
532	Servo piston	1	P-29244900048	1	P-29244900048	1	P-29244900047
533	[Servo bias] spring	1	P-29033402731K	1	P-29033401585		---
534	[Servo piston] stopper	1	P-29251100122	1	P-29251100322	1	P-29251100100
535	[Outer servo bias] spring		---		---	1	P-29033401599
536	[Inner servo bias] spring		---		---	1	P-29033401600
537	[Servo bias] spring seat	1	P-29032700295	1	P-29032700295	1	P-29032700294
538	[Servo stopper] plug (min displacement side)	1	P-0RH38	1	P-0RH38	1	P-0R0H12
702	[Servo stopper] o-ring						
	Viton (std)	1	P-00RBG25WKD	1	P-00RBG25WKD	1	P-00RBG30WKD
703	[Servo case] o-ring						
	Viton (std)	1	P-00RBG40WKD	1	P-00RBG40WKD	1	P-00RBG45WKD
706	[Regulator passage] o-ring						
	Nitrile (std)	3	P-00RBP8KD	3	P-00RBP8KD	3	P-00RBP8KD
710	[Seal cover] o-ring						
	Nitrile (std)	1	P-00RBG65	1	P-00RBG65	1	P-00RBG85KD
711	[Servo piston plug] o-ring						
	Nitrile (std)	1	P-00RBP14KD	1	P-00RBP14KD	1	P-00RBP18KD

# Spare Parts List

## K3VL 45, 60, 80

CODE	DESCRIPTION	K3VL45		K3VL60		K3VL80	
		QTY	Part #	QTY	Part #	QTY	Part #
<b>Main Pump (continued)</b>							
719	[Valve cover pilot] o-ring Nitrile (std)	1	P-00RBG115KD	1	P-00RBG115KD	1	P-00RBG125
728	[Case drain port] o-ring (SAE mounting and ports) Nitrile (std)	2	P-PARP568908	2	P-PARP568908	2	P-PARP568908
729	[Air bleed port] o-ring (SAE mounting and ports) Nitrile (std)	1	P-PARP568904	1	P-PARP568904	1	P-PARP568904
774	Shaft seal Viton ("-" (std)	1	P-PMP030F1AKD	1	P-PMP030F1AKD	1	P-PMP035F15KD
792	[Servo stopper] back-up ring	1	P-0T2BG25	1	P-0T2BG25	1	P-0T2BG30
803	Snap ring [Cylinder spring]	1	P-0RR42	1	P-0RR42		---
808	[Max flow set screw lock] nut	1	P-0RNM16KD	1	P-0RNM16KD	1	P-0RNM16KD
824	Snap ring [Shaft-front bearing]	1	P-0SR30	1	P-0SR30	1	P-0SR35
884	[Swashplate guide] pin	1	P-PJR612	1	P-PJR612	1	P-PJR820
885	[Valve plate guide] pin	2	P-0SPV612	2	P-0SPV612	1	P-PJR612
886	[Locating] spring pin	0	---	0	---	1	P-0SPV614
901	[Lifting] eye bolt	1	P-0EBM8	1	P-0EBM8	1	P-0EBM8
954	[Max flow] set screw	1	P-PSSSM1640	1	P-PSSSM1640	1	P-PSSSM1650
981	Nameplate	1	P-PNPA2550C	1	P-PNPA2550C	1	P-PNPA2550C
983	[Nameplate] pin	2	P-0SK2548KD	2	P-0SK2548KD	2	P-0SK2548KD

# Spare Parts List

## K3VL 45, 60, 80

CODE	DESCRIPTION	K3VL45		K3VL60		K3VL80	
		QTY	Part #	QTY	Part #	QTY	Part #
<b>Pressure Cut-off/Load Sensing Regulator Module</b>							
002	Basic Regulator Assemblies						
	P0 w/o HP	1	P-293LP0AKD	1	P-293LP0AKD	1	P-293LP0AKD
	L0 w/o HP	1	P-293LL0AKD	1	P-293LL0AKD	1	P-293LL0AKD
	P0 w/ HP	1	P-293LP0A1	1	P-293LP0A1	1	P-293LP0A1
	L0 w/ HP	1	P-293LL0A1	1	P-293LL0A1	1	P-293LL0A1
	L1 w/o HP	1	P-293LL1A	1	P-293LL1A	1	P-293LL1A
	L1 w/ HP	1	P-293LL1A1	1	P-293LL1A1	1	P-293LL1A1
411	S.H.C.S. [mounting]	4	P-0SBM670	4	P-0SBM670	4	P-0SBM670
422	Plug [P0/L0 remote port] UNF ("S")	1	P-PPU7KD	1	P-PPU7KD	1	P-PPU7KD
423	Plug [Cut-off and differential]	2	P-0R0H18	2	P-0R0H18	2	P-0R0H18
490	[External cross drilling] plug	9	P-PBP1162403KD	9	P-PBP1162403KD	9	P-PBP1162403KD
491	[Internal cross drilling] plug						
	P0/L0 regulator	1	P-PBP132KD	1	P-PBP132KD	1	P-PBP132KD
	P0/L0 regulator w/torque limiter	2	P-PBP132KD	2	P-PBP132KD	2	P-PBP132KD
492	Restrictor [0.6mm]	1	P-PTRS13206	1	P-PTRS13206	1	P-PTRS13206
494	Restrictor						
	L0 [0.4mm]	1	P-PTRS13204KD	1	P-PTRS13204KD	1	P-PTRS13204KD
	P0 [0.9mm]	1	P-PTRS13209KD	1	P-PTRS13209KD	1	P-PTRS13209KD
601	Casing	1	P-29232900239	1	P-29232900239	1	P-29232900239
624	[Differential] spring seat	1	P-29032700547	1	P-29032700547	1	P-29032700547
625	[Cut-off] spring seat	1	P-29032700540	1	P-29032700540	1	P-29032700540
626	[Differential] stopper	1	P-29251100317	1	P-29251100317	1	P-29251100317
627	[Cut-off] stopper	1	P-29251100136	1	P-29251100136	1	P-29251100136
628	[Differential outer] spring	1	P-29033401321	1	P-29033401321	1	P-29033401321
629	[Differential inner] spring	1	P-29033402573	1	P-29033402573	1	P-29033402573
630	[Cut-off outer] spring	1	P-29033401304	1	P-29033401304	1	P-29033401304
631	[Cut-off inner] spring	1	P-29033401752	1	P-29033401752	1	P-29033401752
643	Set screw [differential]		---		---		---
644	Set screw [cut-off]	2	P-PSSSM825	2	P-PSSSM825	2	P-PSSSM825
645	Plug [Differential spring case]	1	P-29035601177	1	P-29035601177	1	P-29035601177
646	Plug [Cut-off spring case]	1	P-29035600530	1	P-29035600530	1	P-29035600530
647	Spool [Differential] [Cut-off]	2	P-29033202511	2	P-29033202511	2	P-29033202511
701	[Port passage & other] o-ring Nitrile (std)	5	P-00RBP8KD	5	P-00RBP8KD	5	P-00RBP8KD
702	[Differential spring case] o-ring Nitrile (std)	1	P-00RBP14KD	1	P-00RBP14KD	1	P-00RBP14KD
703	[Cut-off spring case] o-ring Nitrile (std)	1	P-00RBP24KD	1	P-00RBP24KD	1	P-00RBP24KD
704	[Differential stopper & Plug(spool case)] o-ring Nitrile (std)	3	P-00RBP8KD	3	P-00RBP8KD	3	P-00RBP8KD
705	[Cut-off stopper] o-ring Nitrile (std)	1	P-00RBP16KD	1	P-00RBP16KD	1	P-00RBP16KD
706	[P0/L0 remote port] o-ring UNF ("S") - Nitrile (std)	1	P-PARP568904	1	P-PARP568904	1	P-PARP568904
707	[Port passage] o-ring Nitrile (std)	1	P-00RBP11KD	1	P-00RBP11KD	1	P-00RBP11KD
802	[Set screw] lock-nut	2	P-0RNM8KD	2	P-0RNM8KD	2	P-0RNM8KD

# Spare Parts List

## K3VL 45, 60, 80

CODE	DESCRIPTION	K3VL45		K3VL60		K3VL80	
		QTY	Part #	QTY	Part #	QTY	Part #
<b>Torque Limit Control Regulator Module</b>							
003	Basic Torque Limiter Assemblies						
	*S* - Ultra low HP setting	1	P-2934S	1	P-2934S	1	P-2938S
	*L* - Low HP setting	1	P-2934L	1	P-2934L	1	P-2938L
	*M* - Medium HP setting	1	P-2934MKD	1	P-2934MKD	1	P-2938MKD
	*H* - High HP setting	1	P-2934H	1	P-2934H	1	P-2938H
412	Screw (S.H.C.S)	4	P-0SBM640	4	P-0SBM640	4	P-0SBM640
601	Casing	1	P-29232900057	1	P-29232900057	1	P-29232900057
611	Feedback lever	1	P-29251700039	1	P-29251700039	1	P-29251700038
614	[Pivot] plug	1	P-29035400245	1	P-29035400245	1	P-29035400245
621	Spool	1	P-29033202236	1	P-29033202236	1	P-29033202236
622	Sleeve	1	P-29033800251	1	P-29033800251	1	P-29033800251
624	Spring seat	1	P-29032700292	1	P-29032700292	1	P-29032700292
625	Outer spring						
	*S* - Ultra low HP setting	1	P-29033401876K	1	P-29033401876K	1	P-29033401876K
	*L* - Low HP setting	1	P-29033401670K	1	P-29033401670K	1	P-29033401670K
	*M* - Medium HP setting	1	P-29033401668K	1	P-29033401668K	1	P-29033401668K
	*H* - High HP setting	1	P-29033401666K	1	P-29033401666K	1	P-29033401666K
626	Inner spring						
	*S* - Ultra low HP setting	1	P-29033401669K	1	P-29033401669K	1	P-29033401669K
	*L* - Low HP setting	1	P-29033401669K	1	P-29033401669K	1	P-29033401669K
	*M* - Medium HP setting	1	P-29033401667K	1	P-29033401667K	1	P-29033401667K
	*H* - High HP setting	1	P-29033401665K	1	P-29033401665K	1	P-29033401665K
627	[Inner spring] adjustment stem	1	P-29032700293	1	P-29032700293	1	P-29032700293
628	[Outer spring] adjustment plug	1	P-29035600656	1	P-29035600656	1	P-29035600656
630	[Outer adjustment] lock-nut	1	P-29034800146	1	P-29034800146	1	P-29034800146
650	[Spool end] plug	1	P-0R0M18	1	P-0R0M18	1	P-0R0M18
660	[Casing] plug	2	P-PBP1162403KD	2	P-PBP1162403KD	2	P-PBP1162403KD
701	[Case thru-hole] o-ring Nitrile (std)	1	P-00RBG50	1	P-00RBG50	1	P-00RBG50
702	[Outer adjustment] o-ring Nitrile (std)	1	P-00RBG30KD	1	P-00RBG30	1	P-00RBG30
703	[Inner adjustment] o-ring Nitrile (std)	1	P-00RBP15	1	P-00RBP15	1	P-00RBP15
704	[Pivot plug] o-ring Nitrile (std)	1	P-00RBP11KD	1	P-00RBP11KD	1	P-00RBP11KD
705	[Port passage] o-ring Nitrile (std)	2	P-00RBP8KD	2	P-00RBP8KD	2	P-00RBP8KD
706	[Spool end plug] o-ring Nitrile (std)	1	P-00RBP16KD	1	P-00RBP16KD	1	P-00RBP16KD
801	[Inner adjustment] lock-nut	1	P-0NM8	1	P-0NM8	1	P-0NM8
924	Set screw	1	P-PSSSM820	1	P-PSSSM820	1	P-PSSSM820



# Spare Parts List

## K3VL 45, 60, 80

CODE	DESCRIPTION	K3VL45		K3VL60		K3VL80	
		QTY	Part #	QTY	Part #	QTY	Part #
Thru-drive							
116	Coupling SAE A SAE B SAE BB SAE C SAE C Keyed coupling, K3VL80 only SAE CC SAE D	1 1 1 -- -- -- --	P-29031500264K P-29031500265K P-29031500266K -- -- -- --	1 1 1 -- -- -- --	P-29031500264K P-29031500265K P-29031500266K -- -- -- --	1 1 1 1 1 -- --	P-29031500241K P-29031500262K P-29031500267K P-29031500263K P-29031500365K -- --
263	Thru-drive cover plate "N"	1	P-29247500326	1	P-29247500326	1	P-29247500326
317	Subplate Adapter SAE A SAE B SAE BB SAE C 2-bolt SAE C 4-bolt SAE CC SAE D	1 1 1 -- -- -- --	Not required P-29247500358 P-29247500358 -- -- -- --	1 1 1 -- -- -- --	Not required P-29247500358 P-29247500358 -- -- -- --	1 1 1 1 1 -- --	Not required P-29247500354 P-29247500354 P-29247500355 P-29247500439 -- --
415	S.H.C.S. [Subplate Adapter to Pump] SAE A SAE B SAE BB SAE C SAE CC SAE D	4 4 4 -- -- --	Not required P-0SBM825 P-0SBM825 -- -- --	4 4 4 -- -- --	Not required P-0SBM825 P-0SBM825 -- -- --	4 4 4 4 -- --	Not required P-0SBM1025 P-0SBM1025 P-0SBM1030 -- --
407	S.H.C.S. (Thru-drive cover plate)	2	P-0SBM1020	2	P-0SBM1020	2	P-0SBM1020
742	O-ring [Second pump to subplate] SAE B - Nitrile (Std) SAE BB - Nitrile (Std) SAE C - Nitrile (Std) SAE CC - Nitrile (Std) SAE D - Nitrile (Std)	1 1 1 1 1	P-00RBG105 P-00RBG105 N/A N/A N/A	1 1 1 1 1	P-00RBG105 P-00RBG105 N/A N/A N/A	1 1 1 1 1	P-00RBG105 P-00RBG105 P-00RBG130 N/A N/A
743	[Thru-drive cover & Subplate to valve housing] o-ring Nitrile (Std)	1	P-00RBG85	1	P-00RBG85	1	P-00RBG85

# Spare Parts List

## K3VL 45, 60, 80

CODE	DESCRIPTION	K3VL45		K3VL60		K3VL80	
		QTY	Part #	QTY	Part #	QTY	Part #
Service kit							
	Rotary Group Kits (Includes items: 011, 013, 211, 153-160)						
	Clockwise		P-29L42802R		P-290606130453		P-29L82803R
	Counterclockwise		P-29L42802L		P-290606130454		P-29L82803L
	Swash Group Kits (Includes items: 030, 251)						
	Clockwise		P-29L42176R		---		P-29L82177R
	Counterclockwise		P-29L42176L		---		P-29L82177L
	Seal Kits (Standard)						
	Pump (Included Shaft Seal)		P-29L4100S0Y		P-29L4100S0Y		P-29L8100S0Y
	P0/L0 Regulator		P-293LP0Y		P-293LP0Y		P-293LP0Y
	Torque Limiter		P-2938HY		P-2938HY		P-2938HY
	Thru-drive						
	SAE A		P-00RBG85KD		P-00RBG85KD		P-00RBG85KD
	SAE B, BB		P-29LHTBY		P-29LHTBY		P-29LHTBY
	SAE C, CC		---		---		P-29LHTCY
	SAE D		---		---		---
	Thru-drive Kits (All Nitrile)						
	SAE A T/D Kit (Coupling & o-ring)		P-29L4TAKD		P-29L4TAKD		P-29L8TAKD
	SAE B Thru-drive Kit		P-29L4TBKD		P-29L4TBKD		P-29L8TBKD
	SAE BB Thru-drive Kit		P-29L4T2KD		P-29L4T2KD		P-29L8T2KD
	SAE C 2-bolt Thru-drive Kit		---		---		P-29L8TCKD
	SAE C 4-bolt Thru-drive Kit		---		---		P-29L8TC4KD
	SAE CC Thru-drive Kit		---		---		---
	SAE D Thru-drive Kit		---		---		---
	Regulator Conversion Kits						
	P0 to L0		P-969-0348		P-969-0348		P-969-0348
	L0 to P0		P-969-0347		P-969-0347		P-969-0347

# Spare Parts List

K3VL 112, 140, 200

CODE	DESCRIPTION	K3VL112		K3VL140		K3VL200	
		QTY	Part #	QTY	Part #	QTY	Part #
<b>Main Pump</b>							
011	Piston group assembly (9 pieces)	1	P-29245300456K	1	P-29245300424K	1	P-29245300466K
013	Cylinder-Valve Plate Assembly						
	Clockwise	1	P-29211900324K	1	P-29211900540K	1	P-29211900333K
	Counterclockwise	1	P-29211900325K	1	P-29211900541K	1	P-29211900336K
030	Swashplate assembly	1	P-2953801990KD	1	P-29241500144	1	P-2953801991KD
111	Drive shaft						
	"K" SAE keyed shaft	1	P-29242500590	1	P-29242500590	1	P-29242501107K
	"K" SAE keyed shaft w/thru-drive	1	P-29242500599	1	P-29242500599	1	P-29242501105K
	"S" SAE spline shaft	1	P-29242500519K	1	P-29242500519K	1	P-29242501106K
	"S" SAE spline shaft w/thru-drive	1	P-29242500594K	1	P-29242500594K	1	P-29242501062K
	"F" SAE spline shaft w/TD(200 only)	0	---	0	---	1	P-29242501173K
	"C" SAE spline shaft	1	P-29242500916K	1	P-29242500916K	0	---
	"C" SAE spline shaft w/thru-drive	1	P-29242500917K	1	P-29242500917K	0	---
	"X" SAE keyed shaft	1	P-29242500930	1	P-29242500930	0	---
	"X" SAE keyed shaft w/thru-drive	1	P-29242500931K	1	P-29242500931K	0	---
	"W" SAE spline shaft	1	P-29242500939K	1	P-29242500939K	0	---
"W" SAE spline shaft w/thru-drive	1	P-29242500940	1	P-29242500940	0	---	
"Y" SAE keyed shaft	1	P-29242500964K	1	P-29242500964K	0	---	
"Y" SAE keyed shaft w/thru-drive	1	P-29242500965K	1	P-29242500965K	0	---	
115	Driveshaft key						
	"K" SAE keyed shaft	1	P-29031800071	1	P-29031800071	1	P-29031800071
	"X" SAE keyed shaft	1	P-29031800062K	1	P-29031800062K	0	---
	"Y" SAE keyed shaft	1	P-29031800283K	1	P-29031800283K	0	---
123	Front roller bearing	1	P-PNUP308R1CS5K	1	P-PNUP308R1CS5K	1	P-PNUP309ETKD
124	Rear needle bearing	1	P-PAJ503518KD	1	P-PAJ503518KD	1	P-PAJ503806
127	Bearing spacer	2	P-38800127	2	P-38800127	1	P-29033700018
153	Set plate	1	P-29241100056K	1	P-29241100056K	1	P-29241100049K
156	Spherical bush[ing]	1	P-29246100030K	1	P-29246100030K	1	P-29246100032K
157	Cylinder spring	9	P-2953801769KD	9	P-29033401784	9	P-2953802061KD
158	Ring guide	0	---		---		---
159	Roller [pin]	0	---		---		---
160	Spacer [plate]	0	---		---		---
211	Shoe plate	1	P-6871000211	1	P-6871000211	1	P-371A00AA124K
214	Tilting pin bushing	1	P-P1R2025125	1	P-P1R2025125	1	P-P1R2025125
251	Swashplate support						
	Clockwise	1	P-29233300117	1	P-29233300117	1	P-29233300337K
	Counterclockwise	1	P-29233300122	1	P-29233300122	1	P-29233300364K
261	[Shaft] seal cover						
	Standard Mounting	1	P-29231500504	1	P-29231500504	1	P-29231500138K
	K3VL112, 140 SAE C mount	1	P-29231500831K	1	P-29231500831K	0	---
271	Pump casing (SAE mounting and ports)						
	W/out torque limit interface	1	P-29232500145	1	P-29232500145	1	P-29232500395
	W/torque limit interface	1	P-29232500129	1	P-29232500129	1	P-29232500363
	W/out torque limit interface (SAE C mtg)	1	P-29232500303	1	P-29232500303	0	---
	W/torque limit interface (SAE C mtg)	1	P-29232500304K	1	P-29232500304K	0	---

# Spare Parts List

## K3VL 112, 140, 200

CODE	DESCRIPTION	K3VL112		K3VL140		K3VL200	
		QTY	Part #	QTY	Part #	QTY	Part #
<b>Main Pump (continued)</b>							
312	Valve cover (Clockwise w/Unified threads)						
	W/side ports and no thru-drive	1	P-29231100360	1	P-29231100360	1	P-29231100696K
	W/side ports and thru-drive	1	P-29231100358	1	P-29231100358	1	P-29231100691K
	*R* w/rear ports	1	P-29231100636	1	P-29231100636	1	--
	Valve cover (Counterclockwise w/Unified threads)						
	*O* w/side ports and no thru-drive		--		--		--
	W/side ports and thru-drive	1	P-29231100359	1	P-29231100359	1	P-29231100708K
	*R* w/rear ports	1	P-29231100637	1	P-29231100637	1	--
401	S.H.C.S. (Valve cover to pump casing)	4	P-0SBM2050	4	P-0SBM2050	4	P-0SBM2460KD
402	S.H.C.S. (Valve cover to pump casing)	1	P-0SBM20100	1	P-0SBM20100	1	P-0SBM24105KD
406	[Shaft seal cover]						
	Retaining ring for 112 & 140 C mount	1	P-0RR90KD	1	P-0RR90KD	-	-
	S.H.C.S.	4	P-0SBM820KD	4	P-0SBM820KD	4	P-0SBM820KD
465	[Air bleed] plug SAE type	1	P-PPU7KD	1	P-PPU7KD	1	P-PPU7KD
467	[Case drain] plug SAE type	2	P-PPU17KD	2	P-PPU17KD	2	P-PPU17KD
490	[Pump casing] plug						
	Clockwise w/out torque limit	6	P-PBP1162403KD	6	P-PBP1162403KD	6	P-PBP1162403KD
	Clockwise w/torque limit	6	P-PBP1162403KD	6	P-PBP1162403KD	6	P-PBP1162403KD
	Counterclockwise w/out torque limit	8	P-PBP1162403KD	8	P-PBP1162403KD	8	P-PBP1162403KD
	Counterclockwise w/torque limit	8	P-PBP1162403KD	8	P-PBP1162403KD	8	P-PBP1162403KD
492	[Swash plate support] plug						
	Clockwise		--		--	1	P-PHK040L
	Counterclockwise	1	P-PHK040L	1	P-PHK040L	1	P-PHK040L
K3VL112/140 swashplate supports had a running design change, old models require 2 plus, new design only 1							
530	Tilting pin assembly	1	P-2953802958	1	P-2953802958	1	P-29211500203
532	Servo piston	1	P-29244900049	1	P-29244900049	1	P-29244900209
533	[Servo bias] spring		--		--		--
534	[Servo piston] stopper	1	P-29251100138	1	P-29251100125	1	P-29251100320K
535	[Outer servo bias] spring	1	P-29033402732K	1	P-29033402732K	1	P-29033402720K
536	[Inner servo bias] spring	1	P-29033401647	1	P-29033401647	1	P-29033402721K
537	[Servo bias] spring seat	1	P-29032700309	1	P-29032700309	1	P-29032700576K
538	[Servo stopper] plug (min side)	1	P-0R0H34	1	P-0R0H34	1	P-0R0H34
702	[Servo stopper] o-ring						
	Viton (std)	1	P-00RBG40WKD	1	P-00RBG40WKD	1	P-00RBP46WKD
703	[Servo case] o-ring						
	Viton (std)	1	P-00RBG55WKD	1	P-00RBG55WKD	1	P-00RBG60WKD
706	[Regulator passage] o-ring						
	Nitrile (std)	3	P-00RBP8KD	3	P-00RBP8KD	3	P-00RBP8KD
710	[Seal cover] o-ring						
	SAE C Mount K3VL112/140 Nitrile (std)	1	P-00RBG90	1	P-00RBG90		
	SAE D Mount Nitrile (std)	1	P-00RBG95KD	1	P-00RBG95KD	1	P-00RBG105KD
711	[Servo piston plug] o-ring Nitrile (std)	1	P-00RBP24KD	1	P-00RBP24KD	1	P-00RBP24KD

# Spare Parts List

K3VL 112, 140, 200

CODE	DESCRIPTION	K3VL112		K3VL140		K3VL200	
		QTY	Part #	QTY	Part #	QTY	Part #
<b>Main Pump (continued)</b>							
719	[Valve cover pilot] o-ring Nitrile (std)	1	P-PCPP155	1	P-PCPP155	1	P-PT0180KD
728	[Case drain port] o-ring (SAE mounting and ports) Nitrile (std)	2	P-PARP568912	2	P-PARP568912	2	P-PARP568912
729	[Air bleed port] o-ring (SAE mounting and ports) Nitrile (std)	1	P-PARP568904	1	P-PARP568904	1	P-PARP568904
774	Shaft seal Viton ("-" (std)	1	P-PTCV48VKD	1	P-PTCV48VKD	1	P-PTCV55DLVKD
792	[Servo stopper] back-up ring	1	P-0T2BG40KD	1	P-0T2BG40KD	1	P-0T2BP46KD
803	Snap ring [Cylinder spring]		---		---		---
808	[Max flow set screw lock] nut	1	P-0RNM20KD	1	P-0RNM20KD	1	P-0RNM20KD
824	Snap ring [Shaft-front bearing]	1	P-0SR40	1	P-0SR40	1	P-0SR45KD
884	[Swashplate guide] pin	1	P-PJR818	1	P-PJR818	1	P-PJR1218KD
885	[Valve plate guide] pin	1	P-PJR812KD	1	P-PJR812KD	1	P-PJR1014KD
886	[Locating] spring pin	1	P-0SPV614KD	1	P-0SPV614KD	1	P-0SPV614KD
901	[Lifting] eye bolt	2	P-0EBM8	2	P-0EBM8	2	P-0EBM10KD
954	[Max flow] set screw	1	P-PSSSM2055	1	P-PSSSM2055	1	P-PSSSM2065KD
981	Nameplate	1	P-PNPA2550C	1	P-PNPA2550C	1	P-PNPA2550C
983	[Nameplate] pin	2	P-0SK2548KD	2	P-0SK2548KD	2	P-0SK2548KD

# Spare Parts List

K3VL 112, 140, 200

CODE	DESCRIPTION	K3VL112		K3VL140		K3VL200	
		QTY	Part #	QTY	Part #	QTY	Part #
<b>Pressure Cut-off/Load Sensing Regulator Module</b>							
002	Basic Regulator Assemblies						
	P0 w/o HP	1	P-293BP0AKD	1	P-293BP0AKD	1	P-293BP0AKD
	L0 w/o HP	1	P-293BL0AKD	1	P-293BL0AKD	1	P-293BL0AKD
	P0 w/ HP	1	P-293BP0A1	1	P-293BP0A1	1	P-293BP0A1
	L0 w/ HP	1	P-293BL0A1	1	P-293BL0A1	1	P-293BL0A1
	L1 w/o HP	1	P-293BL1A	1	P-293BL1A	1	P-293BL1A
	L1 w/ HP	1	P-293BL1A1	1	P-293BL1A1	1	P-293BL1A1
411	S.H.C.S. [mounting]	4	P-0SBM895	4	P-0SBM895	4	P-0SBM895
422	Plug [P0/L0 remote port] UNF ("S")	1	P-PPU7	1	P-PPU7	1	P-PPU7
423	Plug [Cut-off and differential]	2	P-0R0H18	2	P-0R0H18	2	P-0R0H18
490	[External cross drilling] plug	9	P-PBP1162403KD	9	P-PBP1162403KD	9	P-PBP1162403KD
491	[Internal cross drilling] plug						
	P0/L0 regulator	1	P-PBP132KD	1	P-PBP132KD	1	P-PBP132KD
	P0/L0 regulator w/torque limiter	2	P-PBP132KD	2	P-PBP132KD	2	P-PBP132KD
492	Restrictor [0.6mm]	1	P-PTRS13206	1	P-PTRS13206	1	P-PTRS13206
494	Restrictor						
	L0 [0.4mm]	1	P-PTRS13204KD	1	P-PTRS13204KD	1	P-PTRS13204KD
	P0 [0.9mm]	1	P-PTRS13209KD	1	P-PTRS13209KD	1	P-PTRS13209KD
601	Casing	1	P-29232900244	1	P-29232900244	1	P-29232900244
624	[Differential] spring seat	1	P-29032700396	1	P-29032700396	1	P-29032700396
625	[Cut-off] spring seat	1	P-290327000336	1	P-290327000336	1	P-290327000336
626	[Differential] stopper	1	P-29251100173	1	P-29251100173	1	P-29251100173
627	[Cut-off] stopper	1	P-29251100139	1	P-29251100139	1	P-29251100139
628	[Differential outer] spring	1	P-29033402142	1	P-29033402142	1	P-29033402142
629	[Differential inner] spring	1	P-29034402143	1	P-29034402143	1	P-29034402143
630	[Cut-off outer] spring	1	P-29033401799	1	P-29033401799	1	P-29033401799
631	[Cut-off inner] spring	1	P-29033401800	1	P-29033401800	1	P-29033401800
643	Set screw [differential]	1	P-PSSSM825	1	P-PSSSM825	1	P-PSSSM825
644	Set screw [cut-off]	1	P-PSSSM830	1	P-PSSSM830	1	P-PSSSM830
645	Plug [Differential spring case]	1	P-29035600530	1	P-29035600530	1	P-29035600530
646	Plug [Cut-off spring case]	1	P-29035600707	1	P-29035600707	1	P-29035600707
647	Spool [Differential]	2	P-29033202548	2	P-29033202548	2	P-29033202548
701	[Port passage & other] o-ring Nitrile (std)	7	P-00RBP8KD	7	P-00RBP8KD	7	P-00RBP8KD
702	[Differential spring case] o-ring Nitrile (std)	1	P-00RBP24KD	1	P-00RBP24KD	1	P-00RBP24KD
703	[Cut-off spring case] o-ring Nitrile (std)	1	P-00RBP29KD	1	P-00RBP29KD	1	P-00RBP29KD
704	[Differential stopper & Plug(spool case)] o-ring [Differential stopper]o-ring Nitrile (std)	1	P-00RBP16KD	1	P-00RBP16KD	1	P-00RBP16KD
705	[Cut-off stopper] o-ring Nitrile (std)	1	P-00RBP21	1	P-00RBP21	1	P-00RBP21
706	[P0/L0 remote port] o-ring UNF ("S") - Nitrile (std)	1	P-PARP568904	1	P-PARP568904	1	P-PARP568904
707	[Port passage] o-ring Nitrile (std)	1	P-00RBP11KD	1	P-00RBP11KD	1	P-00RBP11KD
802	[Set screw] lock-nut	2	P-0RNM8KD	2	P-0RNM8KD	2	P-0RNM8KD

# Spare Parts List

K3VL 112, 140, 200

CODE	DESCRIPTION	K3VL112		K3VL140		K3VL200	
		QTY	Part #	QTY	Part #	QTY	Part #
<b>Torque Limit Control Regulator Module</b>							
003	Basic Torque Limiter Assemblies						
	*S" - Ultra low HP setting	1	P-293HS	1	P-293HS	1	P-293KS
	*L" - Low HP setting	1	P-293HLKD	1	P-293HLKD	1	P-293KL
	*M" - Medium HP setting	1	P-293HMKD	1	P-293HMKD	1	P-293KMKD
	*H" - High HP setting	1	P-293HHKD	1	P-293HHKD	1	P-293KH
412	Screw (S.H.C.S)	4	P-0SBM640	4	P-0SBM640	4	P-0SBM640
601	Casing	1	P-29232900057	1	P-29232900057	1	P-29232900057
611	Feedback lever	1	P-29251700040	1	P-29251700040	1	P-29251700223
614	[Pivot] plug	1	P-29035400245	1	P-29035400245	1	P-29035400245
621	Spool	1	P-29033202236	1	P-29033202236	1	P-29033202236
622	Sleeve	1	P-29033800251	1	P-29033800251	1	P-29033800251
624	Spring seat	1	P-29032700292	1	P-29032700292	1	P-29032700292
625	Outer spring						
	*S" - Ultra low HP setting	1	P-29033401876K	1	P-29033401876K	1	P-29033401876K
	*L" - Low HP setting	1	P-29033401670K	1	P-29033401670K	1	P-29033401670K
	*M" - Medium HP setting	1	P-29033401668K	1	P-29033401668K	1	P-29033401668K
	*H" - High HP setting	1	P-29033401666K	1	P-29033401666K	1	P-29033401666K
626	Inner spring						
	*S" - Ultra low HP setting	1	P-29033401669K	1	P-29033401669K	1	P-29033401669K
	*L" - Low HP setting	1	P-29033401669K	1	P-29033401669K	1	P-29033401669K
	*M" - Medium HP setting	1	P-29033401667K	1	P-29033401667K	1	P-29033401667K
	*H" - High HP setting	1	P-29033401665K	1	P-29033401665K	1	P-29033401665K
627	[Inner spring] adjustment stem	1	P-29032700293	1	P-29032700293	1	P-29032700293
628	[Outer spring] adjustment plug	1	P-29035600656	1	P-29035600656	1	P-29035600656
630	[Outer adjustment] lock-nut	1	P-29034800146	1	P-29034800146	1	P-29034800146
650	[Spool end] plug	1	P-0R0M18	1	P-0R0M18	1	P-0R0M18
660	[Casing] plug	2	P-PBP1162403KD	2	P-PBP1162403KD	2	P-PBP1162403KD
701	[Case thru-hole] o-ring Nitrile (std)	1	P-00RBG50	1	P-00RBG50	1	P-00RBG50
702	[Outer adjustment] o-ring Nitrile (std)	1	P-00RBG30KD	1	P-00RBG30KD	1	P-00RBG30KD
703	[Inner adjustment] o-ring Nitrile (std)	1	P-00RBP15	1	P-00RBP15	1	P-00RBP15
704	[Pivot plug] o-ring Nitrile (std)	1	P-00RBP11KD	1	P-00RBP11KD	1	P-00RBP11KD
705	[Port passage] o-ring Nitrile (std)	2	P-00RBP8KD	2	P-00RBP8KD	2	P-00RBP8KD
706	[Spool end plug] o-ring Nitrile (std)	1	P-00RBP16KD	1	P-00RBP16KD	1	P-00RBP16KD
801	[Inner adjustment] lock-nut	1	P-0NM8	1	P-0NM8	1	P-0NM8
924	Set screw	1	P-PSSSM820	1	P-PSSSM820	1	P-PSSSM820

# Spare Parts List

K3VL 112, 140, 200

CODE	DESCRIPTION	K3VL112		K3VL140		K3VL200	
		QTY	Part #	QTY	Part #	QTY	Part #
Thru-drive							
116	Coupling						
	SAE A	1	P-29031500268K	1	P-29031500268K	1	P-29031500761K
	SAE B	1	P-29031500269K	1	P-29031500269K	1	P-29031500762K
	SAE BB	1	P-29031500270K	1	P-29031500270K	1	P-29031500804K
	SAE C	1	P-29031500271K	1	P-29031500271K	1	P-29031500763K
	SAE CC	1	P-29031500272K	1	P-29031500272K	1	P-29031500805
	SAE D (SAE D and SAE E K3VL200)	1	P-29031500273K	1	P-29031500273K	1	P-29031500764K
263	Thru-drive cover plate "N"	1	P-29247500326	1	P-29247500326	1	P-29247500326
317	Subplate Adapter						
	SAE A		Not required		Not required		P-29247500674
	SAE B, BB	1	P-29247500360	1	P-29247500360	1	P-29247500675
	SAE C, CC 2-bolt	1	P-29247500361	1	P-29247500361	1	P-29247500667
	SAE C 4-bolt	1	P-29247500603	1	P-29247500603	1	P-29247500676
	SAE D	1	P-29247500362	1	P-29247500362	1	P-29247500677
	SAE E		Not available		Not available	1	P-29247500686
402	S.H.C.S. [Subplate Adapter to Pump SAE A K3VL200]	-	-	-	-	2	P-0SBM825
407	S.H.C.S. (Thru-drive cover plate)	2	P-0SBM1020	2	P-0SBM1020	2	P-0SBM1020
415	S.H.C.S. [Subplate Adapter to Pump]						
	SAE A		Not required		Not required		Not required
	SAE B	4	P-0SBM1230KD	4	P-0SBM1230KD	8	P-0SBM1230KD
	SAE BB	4	P-0SBM1230KD	4	P-0SBM1230KD	8	P-0SBM1230KD
	SAE C	4	P-0SBM1235KD	4	P-0SBM1235KD	8	P-0SBM1230KD
	SAE CC	4	P-0SBM1235KD	4	P-0SBM1235KD	8	P-0SBM1230KD
	SAE D (SAE D and SAE E K3VL200)	4	P-0SBM1250	4	P-0SBM1250	8	P-0SBM1245KD
742	O-ring [Rear pump to subplate]						
	SAE A - Nitrile (Std) K3VL200 only					1	P-00RBG85KD
	SAE B - Nitrile (Std)	1	P-00RBG105KD	1	P-00RBG105KD	1	P-00RBG105KD
	SAE BB - Nitrile (Std)	1	P-00RBG105KD	1	P-00RBG105KD	1	P-00RBG105KD
	SAE C - Nitrile (Std)	1	P-00RBG130KD	1	P-00RBG130KD	1	P-00RBG130KD
	SAE CC - Nitrile (Std)	1	P-00RBG130KD	1	P-00RBG130KD	1	P-00RBG130KD
	SAE D - Nitrile (Std) 154.4mm id, 3.1mm	1	P-PCPP155	1	P-PCPP155	1	P-PCPP155
	SAE E - Nitrile K3VL200 only 169.4mm id., 3.1mm					1	P-PCPP170KD
743	O-ring [Front pump to subplate & Thru-drive cover]						
	Thru-drive cover - Nitrile (Std)	1	P-00RBG85KD	1	P-00RBG85KD	1	P-00RBG85KD
	SAE A - Nitrile (Std)	1	P-00RBG85KD	1	P-00RBG85KD	1	P-00RBG85KD
	SAE B - Nitrile (Std)	1	P-00RBG85KD	1	P-00RBG85KD	1	P-00RBG120KD
	SAE BB - Nitrile (Std)	1	P-00RBG85KD	1	P-00RBG85KD	1	P-00RBG120KD
	SAE C - Nitrile (Std)	1	P-00RBG85KD	1	P-00RBG85KD	1	P-00RBG125
	SAE CC - Nitrile (Std)	1	P-00RBG85KD	1	P-00RBG85KD	1	P-00RBG125
	SAE D - Nitrile (Std)	1	P-00RBG85KD	1	P-00RBG85KD	1	P-00RBG125
	SAE E - Nitrile (Std) K3VL200 only	0	-	0	-	1	P-00RBG125



# Spare Parts List

K3VL 112, 140, 200

CODE	DESCRIPTION	K3VL112		K3VL140		K3VL200	
		QTY	Part #	QTY	Part #	QTY	Part #
Service kit							
	Rotary Group Kits (Includes items: 011, 013, 211, 153-160)						
	Clockwise		P-29LG2804R		P-29LH2805R		P-290606130455
	Counterclockwise		P-29LG2804L		P-29LH2805L		P-290606130456
	Swash Group Kits (Includes items: 030, 251)						
	Clockwise		P-29LG2178R		P-29LH2179R		---
	Counterclockwise		P-29LG2178L		P-29LH2179L		---
	Seal Kits (Standard)						
	Pump		P-29LH100S0Y		P-29LH100S0Y		P-290606130461
	Pump (w/ 'C' shaft and mount)		P-290702193076		P-290702193076		---
	P0/L0 Regulator		P-293BP0Y		P-293BP0Y		P-293BP0Y
	Torque Limiter		P-2938HY		P-2938HY		P-2938HY
	Thru-drive						
	SAE A		P-00RBG85KD		P-00RBG85KD		P-290606130462
	SAE B, BB		P-29LHTBY		P-29LHTBY		P-290606130463
	SAE C, CC		P-29LHTCY		P-29LHTCY		P-290606130464
	SAE D		P-29LHTDY		P-29LHTDY		P-290606130465
	SAE E		-		-		P-290606130466
	Thru-drive Kits (All Nitrile)						
	SAE A T/D Kit (Coupling & o-ring)		P-29LHTAKD		P-29LHTAKD		P-29LKTAKD
	SAE B Thru-drive Kit		P-29LHTBKD		P-29LHTBKD		P-29LKTBKD
	SAE BB Thru-drive Kit		P-29LHT2KD		P-29LHT2KD		P-29LKT2KD
	SAE C 2-bolt Thru-drive Kit		P-29LHTCKD		P-29LHTCKD		P-29LKTCKD
	SAE C 4-bolt Thru-drive Kit		P-29LHTC4KD		P-29LHTC4KD		P-29LKTC4KD
	SAE CC Thru-drive Kit		P-29LHT3KD		P-29LHT3KD		P-29LKT3KD
	SAE CC 4 Thru-drive Kit		P-969-0573		P-969-0573		---
	SAE D Thru-drive Kit		P-29LHTDKD		P-29LHTDKD		P-29LKTDKD
	SAE E Thru-drive Kit						P-29LKTEKD
	Regulator Conversion Kits						
	P0 to L0		P-969-0348		P-969-0348		P-969-0348
	L0 to P0		P-969-0347		P-969-0347		P-969-0347