

Part number:

HYDROMA

HYDRAULICKÉ SYSTÉMY

**HIDROMA
SYSTEMS**

UKLADY HYDRAULICZNE

HYDROMA

ГИДРАВЛИЧЕСКИЕ СИСТЕМЫ

Check, poppet type

Common cavity, Size 08

VUCN-08A

04.31.20.00.56 - Z

RE 18318-89

Edition: 03.2016

Replaces: 07.2012



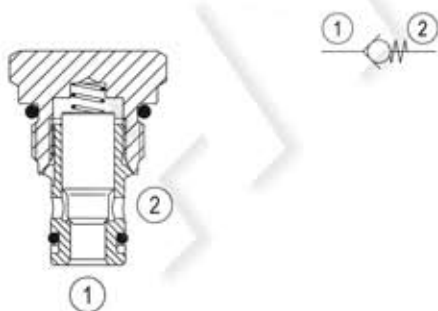
Technical data

Max. operating pressure	420 bar (6000 psi)
Max. flow	50 l/min (13 gpm)
Max. internal leakage	5 drops/min.
Fluid temperature range	-30 to 100 °C (-22 to 212 °F)
Installation torque	34 - 41 Nm (25 - 30 ft-lbs)
Weight	0.12 kg (0.27 lbs)
Cavity	CA-08A-2N (see data sheet 18325-70)
Lines bodies and standard assemblies	Please refer to section "Hydraulic integrated circuit" or consult factory
Seal kit ¹⁾	Code: RG08A2010520100 material no: R901101437
Fluids	Mineral-based or synthetics with lubricating properties at viscosities of 5 to 800 mm ² /s (cSt)
Recommended degree of fluid contamination	Nominal value max. 10µm (NAS 8) / ISO 4406 19/17/14
Installation position	No restrictions
Other Technical Data	See data sheet 18350-50

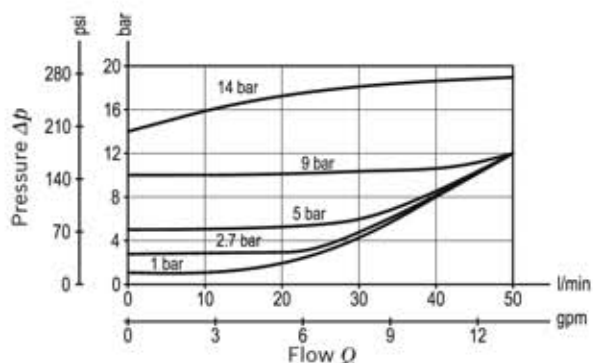
Description

When pressure at 1 rises above the spring bias pressure, the poppet is lifted and flow allowed from 1 to 2. The valve is closed (checked) from 2 to 1. Precision machining and hardening processes allow virtually leak-free performance in the checked condition.

1) Only external seals for 10 valves



Characteristic curve



Ordering code

04.31.20.00	56	Z	00	*
-------------	----	---	----	---

Series O/A to L
unchanged performances and dimensions

Version and options standard

Check, poppet type

56 Common cavity, Size 08

SPRINGS	
	Cracking pressure bar (psi)
A0	0.3 (4.5)
00	1 (15)
03	2.7 (39)
05	5 (73)
06	6 (87)
09	9 (131)
14	14 (203)

Preferred types

Type	Material number
0431200056A0000	R930006992
043120005600000	R901007308
043120005603000	R901162183
043120005605000	R901106550

Type	Material number
043120005606000	R901116571
043120005609000	R930000961
043120005614000	R901106592

Dimensions

