

Part number:

**HYDROMA**

HYDRAULICKÉ SYSTÉMY

**HIDROMA  
SYSTEMS**

UKŁADY HYDRAULICZNE

**HYDROMA**

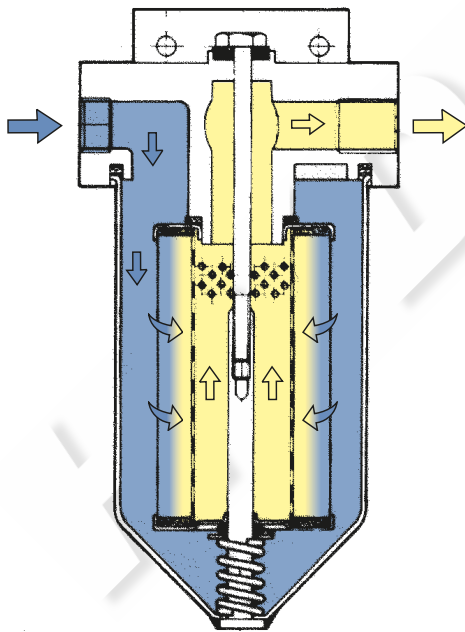
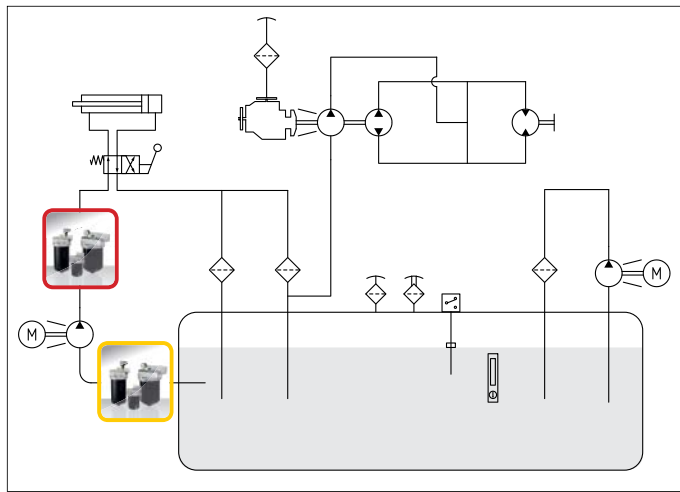
ГИДРАВЛИЧЕСКИЕ СИСТЕМЫ

# LFM



Suction Filters

**SUCTION OR LOW PRESSURE INLINE FILTER**



## LFM

### 1 MPa (10 bar)

Port sizes: 3/8" ÷ 1" 1/2  
Flow rates: 4 ÷ 600 l/min

#### TECHNICAL DATA

Max. working pressure: 700 kPa (7bar)  
Max. test pressure: 1,4 MPa (14 bar)  
Bursting pressure: 2,1 MPa (21 bar)

Filter element collapse pressure:  
 $\Delta p$  400 kPa (4 bar) - ISO 4572

Working temperature: -25 ÷ +110°C

#### MATERIALS

Head: aluminium  
Bowl: cold formed steel  
Seals: standard NBR  
on request FKM

#### COMPATIBILITY (ISO 2943:1999)

Full with fluids: HH-HL-HM-HV-HTG  
(according to ISO 6743/4).  
For fluids different than the above mentioned,  
please contact our Sales Department.

All tests performed according  
to the following standards:

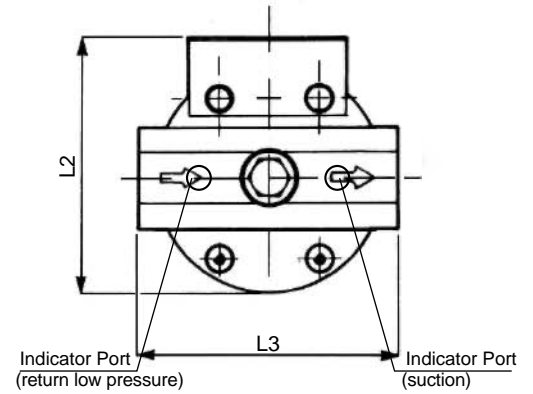
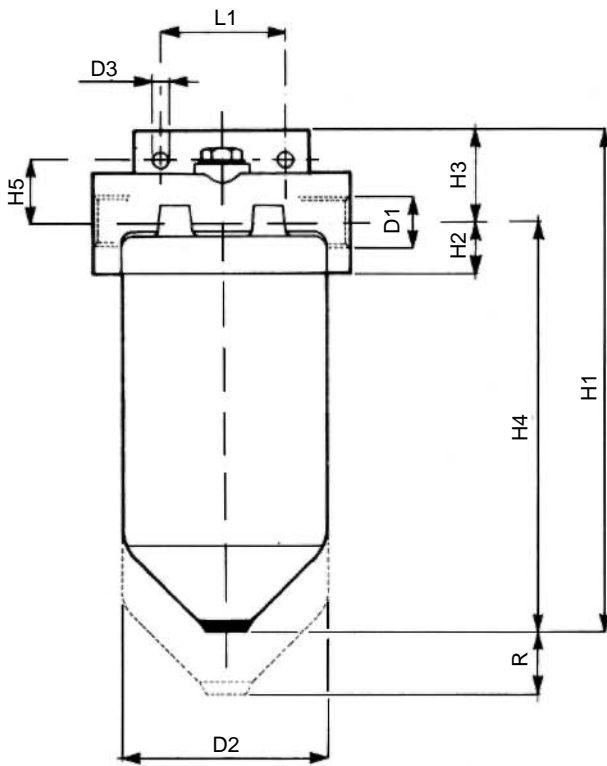
ISO 2941: Element collapse resistance test  
ISO 2942: Production integrity test  
ISO 2943: Fluids compatibility  
ISO 3723: End load test method  
ISO 3724: Flow fatigue resistance method  
ISO 3968: Pressure drop versus flow rate  
ISO 16889: Multipass test.

For further information contact our Technical Dept.

<b>LFM</b>	Type	010	050	070	120	180	Type	<b>CLE</b>
	Filter media						Filter media	
	RD = 10µ Stainless steel wire mesh	RD	RD	RD	RD	RD	RD = 10µ Stainless steel wire mesh	
	MV = 25µ Paper	MV	MV	MV	MV	MV	RV = 25µ Paper	
	CD = 10µ Paper	CD	CD	CD	CD	CD	CD = 10µ Paper	
	CV = 25µ Steel wire mesh	CV	CV	CV	CV	CV	CV = 25µ Steel wire mesh	
	MS = 60µ Steel wire mesh	MS	MS	MS	MS	MS	MS = 60µ Steel wire mesh	
	MN = 125µ Steel wire mesh	MN	MN	MN	MN	MN	MN = 125µ Steel wire mesh	
	Seals						Seals	
	1 = NBR Nitrile	1	1	1	1	1	1 = NBR Nitrile	
	2 = FKM Fluoroelastomer	2	2	2	2	2	2 = FKM Fluoroelastomer	
<b>0</b>	Bypass type							
	0 = Without	0	0	0	0	0		
	Ports							
	B = BSP	B	B	B	B	B		
	N = NPT	N	N	N	N	N		
	Port size							
	2 = 3/8"	2	-	-	-	-		
	3 = 1/2"	3	-	-	-	-		
	4 = 3/4"	-	4	-	-	-		
	5 = 1"	-	-	5	-	-		
	6 = 1" 1/4	-	-	-	6	-		
	7 = 1" 1/2	-	-	-	-	7		
	Indicators							
	0E = nr. 2 ports 1/8", plugged	0E	0E	0E	0E	0E	Return line	
	33 = Pressure gauge	33	33	33	33	33		
	P1 = Pressure switch	P1	P1	P1	P1	P1	Suction line	
	11 = Vacuum gauge	11	11	11	11	11		
	91 = Vacuum switch	91	91	91	91	91		
<b>XX</b>	Accessories							
	XX = No accessory available	XX	XX	XX	XX	XX		

**DIMENSIONAL LAYOUT**

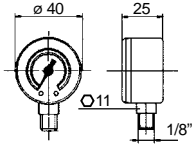
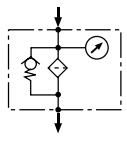
(mm)



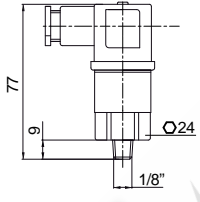
Type	D1	H1	H2	H3	L1	D2	H4	L2	D3	L3	H5	R	Weight Kg
LFM 010.2	3/8"	170	22	38	50	81	132	95	6,5	105	26	20	1,0
LFM 010.3	1/2"	170	22	38	50	81	132	95	6,5	105	26	20	1,0
LFM 050	3/4"	245	37	39	100	114	206	135	8,5	140	24	25	2,0
LFM 070	1"	285	37	39	100	114	246	135	8,5	140	24	25	2,5
LFM 120	1" 1/4	290	40	50	150	155	240	185	10,5	178	28	25	6,0
LFM 180	1" 1/2	345	40	50	150	155	295	185	10,5	178	28	25	6,5

**RETURN LINE**

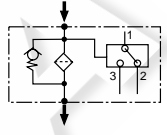
NBR	FKM	Pressure gauge
33	-	Scale 0 ÷ 1,2 MPa (12 bar)

NBR	FKM	Pressure switch
P1	-	Setting 150 kPa (1,5 bar)



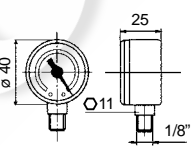
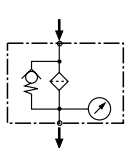
ATEX 3 GD EEx e T6



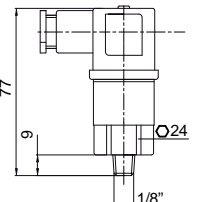
SPDT, C.C. 30V: > max resistive or inductive load 3A - 1A respectively  
 C.A. 125 or 250V: > max resistive or inductive load 3A - 0,5A respectively  
 Protection IP65 - Connector DIN 43650

**SUCTION LINE**

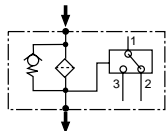
NBR	FKM	Vacuum gauge
11	-	Scale 0 ÷ 100 kPa (1 bar)

NBR	FKM	Pressure switch
91	-	Setting 20 kPa (0,2 bar)



ATEX 3 GD EEx e T6



SPDT, C.C. 30V: > max resistive or inductive load 3A - 1A respectively  
 C.A. 125 or 250V: > max resistive or inductive load 3A - 0,5A respectively  
 Protection IP65 - Connector DIN 43650

**FLOW RATES**

(l/min)

Type	Filter Media	$\Delta p \dots$			
		5 kPa (0,05 bar)	10 kPa (0,1 bar)	20 kPa (0,2 bar)	40 kPa (0,4 bar)
LFM 010.2	RD	6	11	25	47
	MV	7	13	30	58
	CD	4	10	23	45
	CV	6	13	27	55
	MS	8	14	32	62
	MN	8	19	38	72
LFM 010.3	RD	9	16	34	61
	MV	11	18	40	75
	CD	8	15	29	58
	CV	10	17	36	72
	MS	11	19	45	79
	MN	12	27	53	95
LFM 050	RD	19	46	92	152
	MV	21	58	102	177
	CD	17	36	72	132
	CV	19	45	91	148
	MS	23	61	110	185
	MN	34	72	132	197

Type	Filter Media	$\Delta p \dots$			
		5 kPa (0,05 bar)	10 kPa (0,1 bar)	20 kPa (0,2 bar)	40 kPa (0,4 bar)
LFM 070	RD	32	70	135	228
	MV	35	73	158	349
	CD	27	53	110	185
	CV	30	68	132	220
	MS	41	76	167	265
	MN	45	98	197	303
LFM 120	RD	75	122	295	440
	MV	91	175	337	535
	CD	45	102	227	386
	CV	61	117	273	428
	MS	106	201	367	556
	MN	136	254	401	590
LFM 180	RD	158	285	405	572
	MV	207	330	510	638
	CD	87	170	314	503
	CV	140	276	462	628
	MS	235	386	579	749
	MN	329	454	617	783

The reference fluid has a kinematic viscosity of 30 cSt and a density of 0,86 Kg/dm<sup>3</sup>.  
For different oil viscosity please contact our Sales Department for further information.

**FILTER AREA**(cm<sup>2</sup>)

Type	RD	MV	CD	CV	MS	MN
CLE 010	866	866	1180	1180	472	472
CLE 050	1067	1067	1830	1830	732	732
CLE 070	1637	1637	2405	2405	1637	1637
CLE 120	3288	3288	4440	4440	2055	1726
CLE 180	3842	3842	6383	6383	2955	2482