

Part number:

**HYDROMA**

HYDRAULICKÉ SYSTÉMY

**HIDROMA  
SISTEMS**

UKŁADY HYDRAULICZNE

**HYDROMA**

ГИДРАВЛИЧЕСКИЕ СИСТЕМЫ

Pilot operated check,  
pilot to open  
Common cavity, Size 08

VSON-08A

04.33.06 - X - 56 - Z

**RE 18319-30**

Edition: 03.2016

Replaces: 09.2009



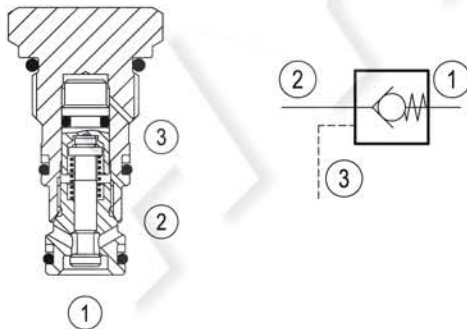
**Technical data**

Max. operating pressure	350 bar (5000 psi)
Max. flow	30 l/min (8 gpm)
Pilot ratio	3:1
Max. internal leakage	5 drops/min.
Fluid temperature range	-30 to 100 °C (-22 to 212 °F)
Installation torque	34 - 41 Nm (25 - 30 ft-lbs)
Weight	0.12 kg (0.27 lbs)
Cavity	CA-08A-3C (see data sheet 18325-70)
Lines bodies and standard assemblies	Please refer to section "Hydraulic integrated circuit" or consult factory
Seal kit <sup>1)</sup>	Code: RG08A9010520100 material no: R901101592
Fluids	Mineral-based or synthetics with lubricating properties at viscosities of 5 to 800 mm <sup>2</sup> /s (cSt)
Recommended degree of fluid contamination	Nominal value max. 10µm (NAS 8) / ISO 4406 19/17/14
Installation position	No restrictions
Other Technical Data	See data sheet 18350-50

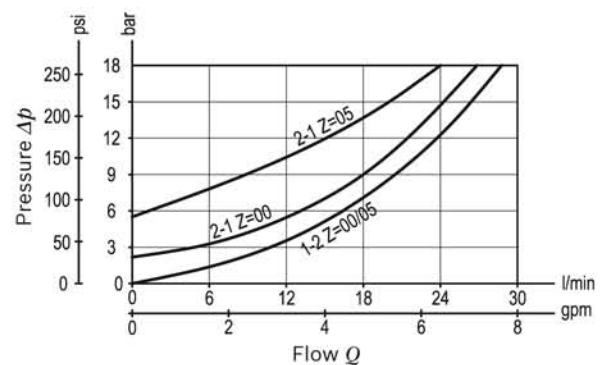
**Description**

When pressure at 2 rises above the spring bias pressure, the poppet is pushed from its seat and flow is allowed from 2 to 1. The valve is normally closed (checked) from 1 to 2. When sufficient pilot pressure is present at port 3, the pilot piston acts to push the poppet from its seat and flow is allowed from 1 to 2. Precision machining and hardening processes allow virtually leak-free performance in the checked condition.

1) Only external seals for 10 valves



**Characteristic curve**



**Ordering code**

<b>04.33.06</b>	<b>X</b>	<b>56</b>	<b>Z</b>	<b>00</b>	<b>*</b>
-----------------	----------	-----------	----------	-----------	----------

Pilot operated check, pilot to open

O-Ring on pilot piston

**00** No O-Ring

**10** With O-Ring

**56** Common cavity, Size 08

Series 0/A to L  
unchanged performances and dimensions

Version and options standard

SPRINGS	
	Cracking pressure bar (psi)
<b>00</b>	2 (30)
<b>05</b>	5 (75)

**Preferred types**

Type	Material number
04330600560000A	R901106627
043306005605000	R930000982
04330610560000A	R901099896
043306105605000	R930000818

Type	Material number

**Dimensions**

