

Part number:

HYDROMA

HYDRAULICKÉ SYSTÉMY

**HIDROMA
SISTEMS**

UKLADY HYDRAULICZNE

HYDROMA

ГИДРАВЛИЧЕСКИЕ СИСТЕМЫ

Flow control, 2-way pressure compensated,
fully adjustable
Common cavity, Size 10

VRFB-10A

04.02.02 - X - 85 - Z

RE 18321-16

Edition: 03.2016

Replaces: 09.2009



Technical data

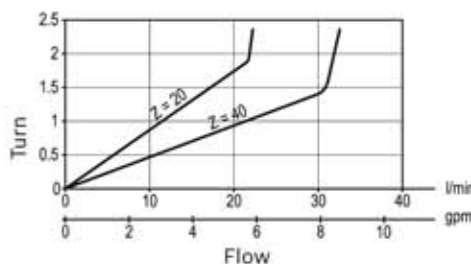
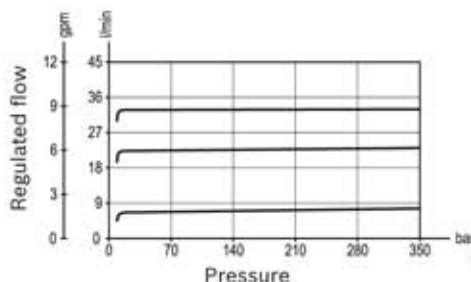
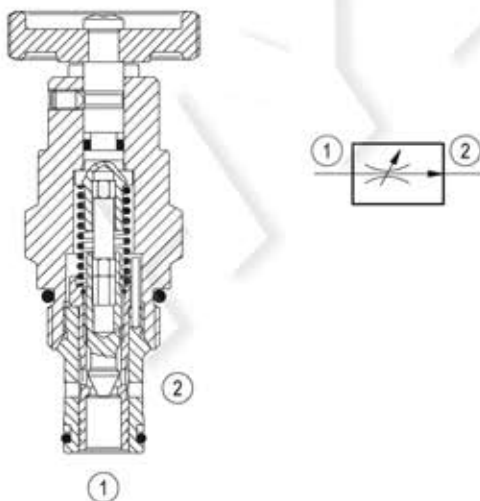
Pressure min. - max.	14 - 350 bar (200 - 5000 psi)
Flow range	see "Regulated flow range" table
Fluid temperature range	-30 to 100 °C (-22 to 212 °F)
Installation torque	41 - 47 Nm (30 - 35 ft-lbs)
Weight ¹⁾	0.27 kg (0.59 lbs)
Cavity	CA-10A-2N (see data sheet 18325-70)
Lines bodies and standard assemblies	Please refer to section "Hydraulic integrated circuit" or consult factory
Seal kit ²⁾	Code: RG10A2010520100 material no: R901111363
Fluids	Mineral-based or synthetics with lubricating properties at viscosities of 10 to 500 mm ² /s (cSt)
Recommended degree of fluid contamination	Nominal value max. 10µm (NAS 8) / ISO 4406 19/17/14
Installation	No restrictions
Other Technical Data	See data sheet 18350-50

Description

A constant flow rate, regardless of system pressures, is established from 1 to 2 while a minimum pressure differential of 14 bar (200 psi) exists between the two ports. Output flow can be varied from closed to the nominal maximum rating for the valve. Flow from 2 to 1 is limited by the diameter of the selected control orifice and is not pressure compensated.

- 1) Standard version X=04 type
- 2) Only external seals for 10 valves

Characteristic curve



Ordering code

04.02.02	X	85	Z	00	*
-----------------	----------	-----------	----------	-----------	----------

Flow control, 2-way pressure compensated fully adjustable

Series 0/A to L
unchanged performances and dimensions

Version and options standard

Adjustments

04 Handknob

40 Calibrated handknob

	Regulated flow range l/min. (gpm)
20	0.1-20 (0.03-5.28)
40	0.2-30 (0.05-7.93)

85 Common cavity, Size 10

Preferred types

Type	Material number
04020204852000A	R930055368
04020204854000A	R930055371

Type	Material number
04020240852000A	R930055372
04020240854000A	R930055373

Dimensions

