

Part number:

**HYDROMA**

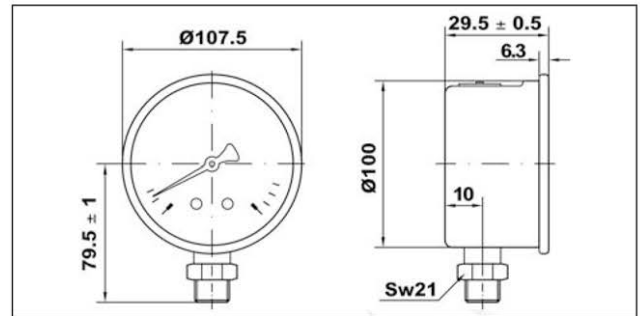
HYDRAULICKÉ SYSTÉMY

**HIDROMA  
SISTEMS**

UKŁADY HYDRAULICZNE

**HYDROMA**

ГИДРАВЛИЧЕСКИЕ СИСТЕМЫ

**MG1-INOX 100****Opzioni : vedi pagina 107****Options : see page 107****Glicerina cassa inox DN100 attacco radiale****Materiali**

Cassa + anello:	Acciaio inox AISI 304 antiscoppio
Trasparente:	Vedril PMMA
Quadrante:	Alluminio bianco
Indice:	Plastica nera
Attacco:	Legna di rame lato quadro 21 mm
Elemento manometrico:	Molla Bourdon in lega di rame, saldatura in lega di stagno ≤ 60 bar molla C, > 60 bar molla a ricciolo saldatura in lega Sn-Ag
Movimento:	Legna di rame
Fluido antivibrante:	Glicerolo 99.5%

**Caratteristiche tecniche**

Norme di riferimento:	EN 837-1
Pressione d'esercizio:	Statica: 75 % del valore di fondo scala Fluttuante: 60 % del valore di fondo scala Per brevi periodi: fino al valore di fondo scala
Limiti di temperatura:	Ambiente: -20 ... +60 °C Fluido: +40 °C massimo Stoccaggio: -20 ... +60 °C
Deriva termica:	±0,04%/1Kelvin dello scostamento dalla temperatura di riferimento (+20°C)
Classe di precisione:	cl. 1.6
Grado di protezione:	IP 65 per EN 529 / IEC 529
Peso individuale:	0.526 kg

**Glycerine filled stainless steel case DN100 bottom entry****Materials**

Case + roll on bezel:	Stainless steel AISI 304 with blow-out device
Window:	Vedril PMMA
Dial:	White aluminium
Pointer:	Black plastic
Pressure connection:	Cu-alloy, 21 mm flats
Pressure element:	Bourdon tube Cu-alloy, soft soldered ≤ 60 bar C-type, > 60 bar helical type Sn-Ag soldered
Movement:	Cu-alloy
Liquid filling:	Glycerine 99.5%

**Technical specifications**

Design:	EN 837-1
Working pressure:	Steady: 75 % of full scale value Fluctuating: 60 % of full scale value Short time: full scale value
Temperature limits:	Ambient: -20 ... +60 °C Medium: +40 °C maximum Storage: -20 ... +60 °C
Temperature effect:	Deviation from reference temperature (+20°C): ±0,04%/1K of the span cl. 1.6
Accuracy class:	cl. 1.6
Degree of protection:	IP 65 for EN 529 / IEC 529
Individual weight:	0.526 kg

Denominazione Type	Codice Part No.	Scala Pressure Range	Attacco Connection	Opzioni Options	Imballo/Conf. Box/Master	Min.ord. Min.order	€uro
MG1-INOX 100		-76-0 cm Hg	G1/2B		1/30	30	
MG1-INOX 100	PE509916LF	-1/0 bar/in Hg	G1/2B	D+LF*	1/30	1	
MG1-INOX 100	PE5402BL01	-1/0.6 bar	G1/2B		1/30	30	
MG1-INOX 100	PE5403DL00	-1+1.5 bar/in hg	G1/2B	D*	1/30	30	
MG1-INOX 100	PE5404DL00	-1+3 bar	G1/2B	D*	1/30	30	
MG1-INOX 100	PE5406DL00	-1+5 bar	G1/2B	D+LF*	1/30	30	
MG1-INOX 100		-1+9 bar	G1/2B		1/30	30	
MG1-INOX 100	PE5416BL00	-1+15 bar	G1/2B		1/30	30	
MG1-INOX 100	PE540116LF	0-1 bar/psi	G1/2B	D+LF*	1/30	1	
MG1-INOX 100	PE540216	0-1.6 bar/psi	G1/2B	D*	1/30	30	
MG1-INOX 100	PE550316LF	0-2.5 bar/psi	G1/2B	D+LF*	1/30	1	
MG1-INOX 100	PE550416LF	0-4 bar/psi	G1/2B	D+LF*	1/30	1	
MG1-INOX 100	PE550616LF	0-6 bar/psi	G1/2B	D+LF*	1/30	1	
MG1-INOX 100	PE551016LF	0-10 bar/psi	G1/2B	D+LF*	1/30	1	
MG1-INOX 100	PE551216LF	0-12 bar/psi	G1/2B	D+LF*	1/30	1	
MG1-INOX 100	PE551616LF	0-16 bar/psi	G1/2B	D+LF*	1/30	1	
MG1-INOX 100	PE552016LF	0-20 bar/psi	G1/2B	D+LF*	1/30	30	
MG1-INOX 100	PE552516LF	0-25 bar/psi	G1/2B	D+LF*	1/30	1	
MG1-INOX 100	PE554016LF	0-40 bar/psi	G1/2B	D+LF*	1/30	1	
MG1-INOX 100	PE564416LF	0-60 bar/psi	G1/2B	D+LF*	1/30	1	
MG1-INOX 100	PE564816LF	0-100 bar/psi	G1/2B	D+LF*	1/30	1	
MG1-INOX 100	PE565416LF	0-160 bar/psi	G1/2B	D+LF*	1/30	1	
MG1-INOX 100	PE566016LF	0-250 bar/psi	G1/2B	D+LF*	1/30	1	
MG1-INOX 100	PE566216LF	0-315 bar/psi	G1/2B	D+LF*	1/30	1	
MG1-INOX 100	PE566616LF	0-400 bar/psi	G1/2B	D+LF*	1/30	1	
MG1-INOX 100	PE567016LF	0-600 bar/psi	G1/2B	D+LF*	1/30	1	