

Part number:

HYDROMA

HYDRAULICKÉ SYSTÉMY

**HIDROMA
SYSTEMS**

UKŁADY HYDRAULICZNE

HYDROMA

ГИДРАВЛИЧЕСКИЕ СИСТЕМЫ

SUPPORTI TRAINO ASAE ASAE ADAPTORS

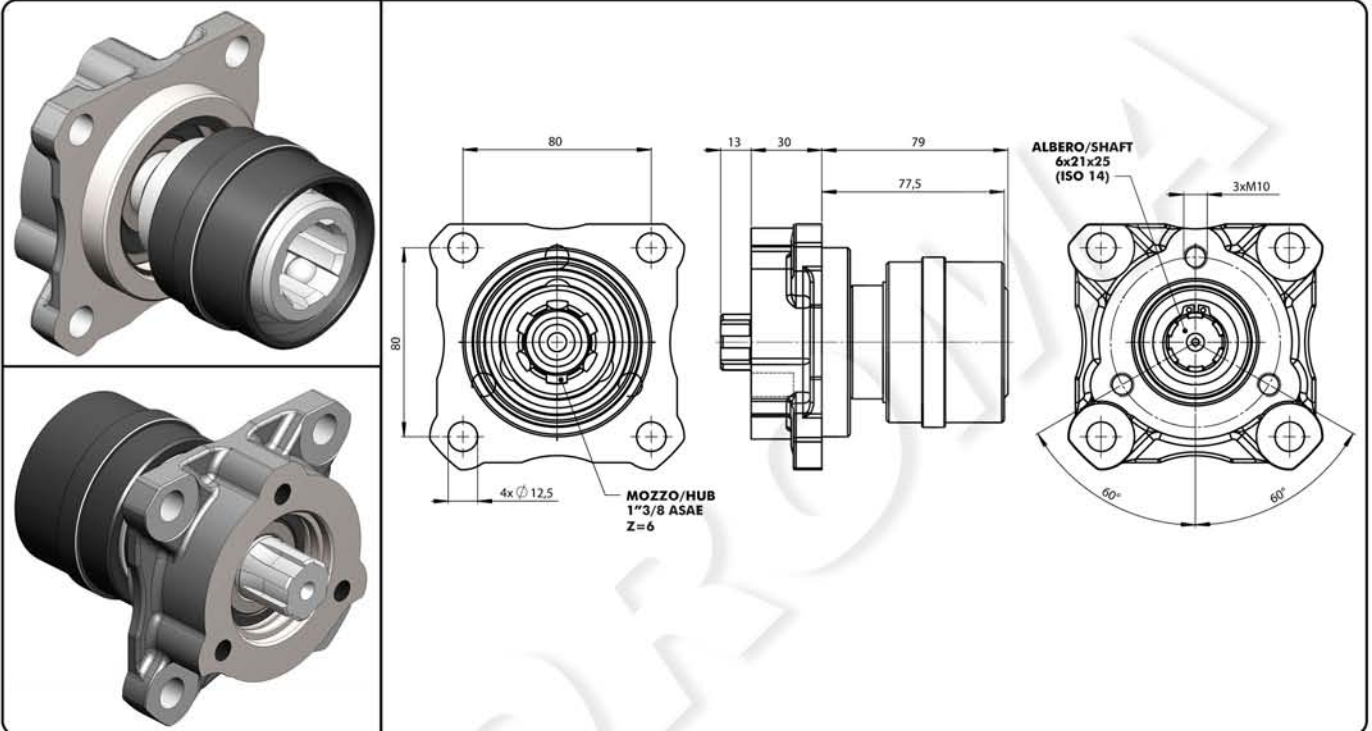
CODICE FAMIGLIA
FAMILY CODE

103004

10300400301

Supporto traino femmina 1" 3/8 ASAE Z=6 per pompe 3 fori
1" 3/8 female ASAE Z=6 adaptor for uni pumps

99740010515

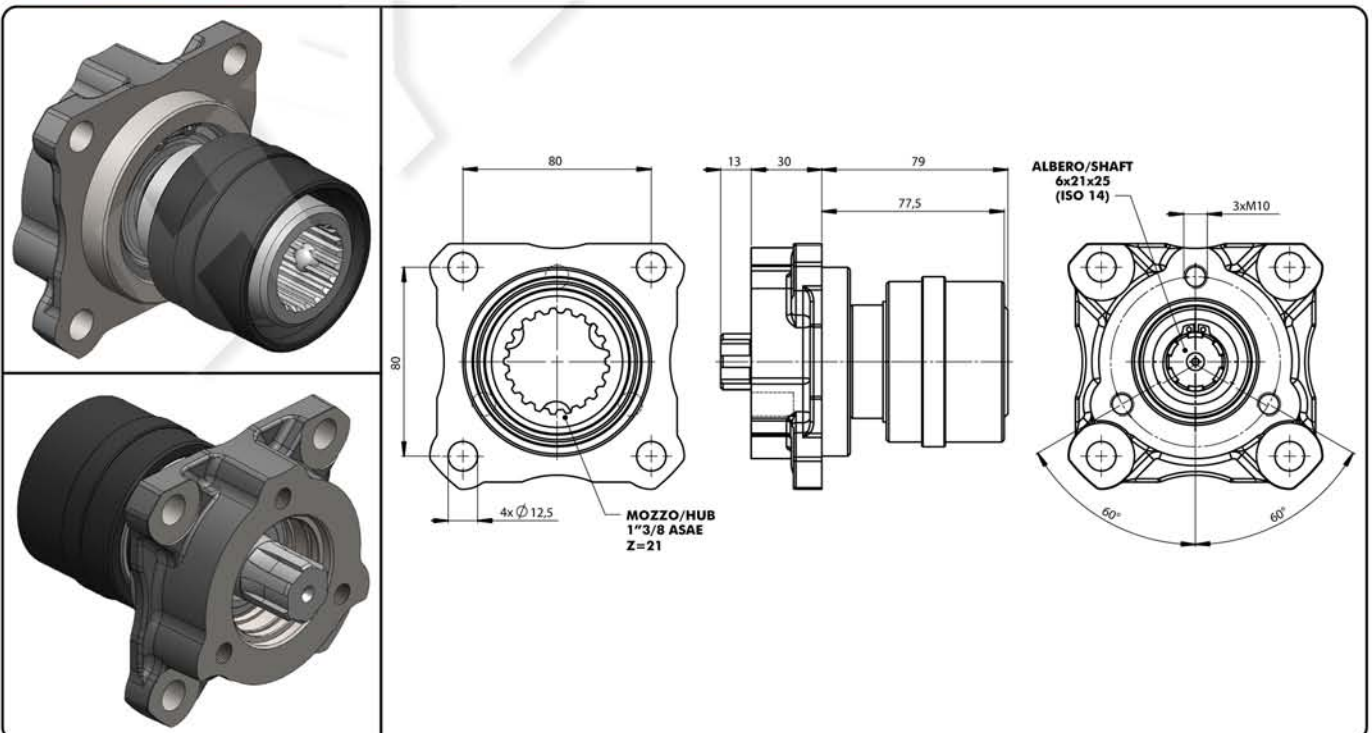


10300400310

Supporto traino femmina 1" 3/8 ASAE Z=21 per pompe 3 fori
1" 3/8 female ASAE Z=21 adaptor for uni pumps

20/10/2021

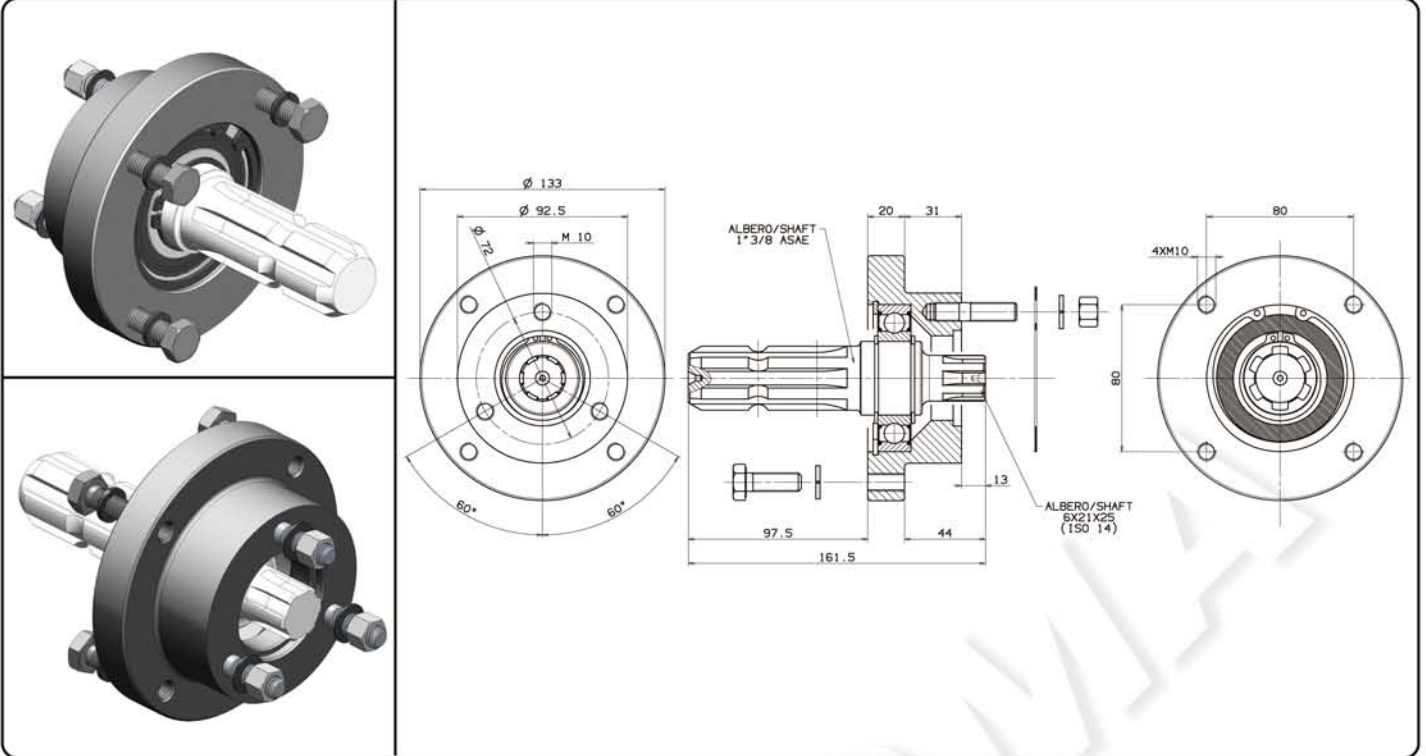
99710340301 Rev: AB



SUPPORTI TRAINO ASAE
ASAE ADAPTORS

10300400409

Supporto traino maschio 1" 3/8 ASAE per pompe 3 fori
1" 3/8 male ASAE adaptor for uni pumps



99740010515

20/10/2021

99710340301 Rev: AB