

Part number:

HYDROMA

**HIDROMA
SISTEMS**

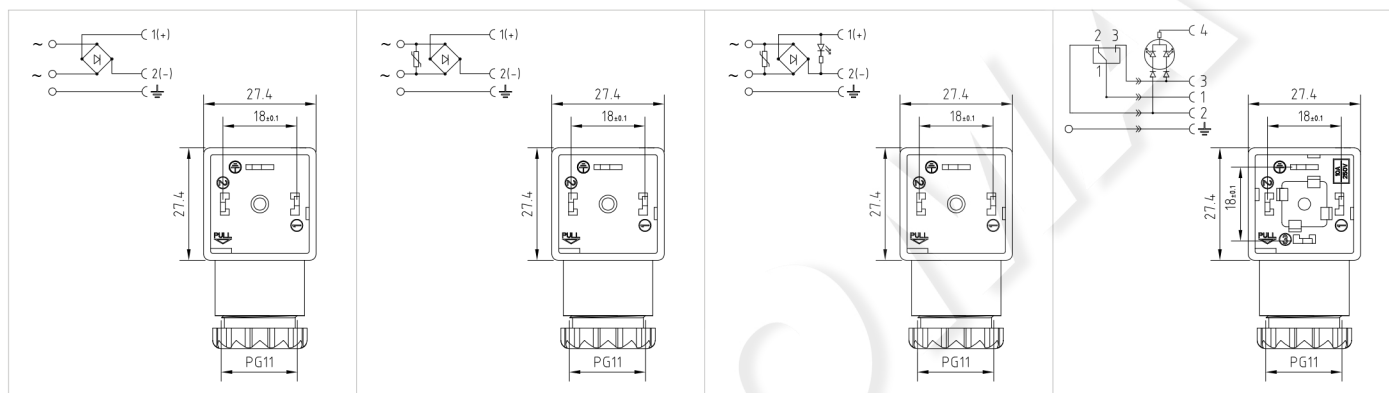
HYDROMA

HYDRAULICKÉ SYSTÉMY

UKŁADY HYDRAULICZNE

ГИДРАВЛИЧЕСКИЕ СИСТЕМЫ

VALVE CONNECTORS



Product description										
DIN valve connectors		DIN valve connectors		DIN valve connectors		DIN valve connectors		DIN valve connectors		
EN175301-803		EN175301-803		EN175301-803		EN175301-803		EN175301-803		
A		A		A		A		A		
G1NU2R03		G1NU2RV1	G1NU2RV2	G1NU2RV3	G1TU2RL1	G1TU2RL2	G1TU2RL3	G1TU3Q01	G1TU3Q02	G1TU3Q03
Square connector G1 series complete with gasket and fixing screw. Connector with electronic.		Square connector G1 series complete with gasket and fixing screw. Connector with electronic.		Square connector G1 series complete with gasket and fixing screw. Connector with electronic.		Square connector G1 series complete with gasket and fixing screw. Connector with electronic.		Square connector G1 series complete with gasket and fixing screw. Connector with electronic.		
18mm		18mm		18mm		18mm		18mm		
2poles + P.E.		2poles + P.E.		2poles + P.E.		2poles + P.E.		3poles + P.E.		
H.12 (turnable)		H.12 (turnable)		H.12 (turnable)		H.12 (turnable)		H.12 (turnable)		
Black		Black		Transparent		Transparent		Transparent		
30mm		30mm		30mm		30mm		30mm		
PG9/PG11 unified		PG9/PG11 unified		PG9/PG11 unified		PG9/PG11 unified		PG9/PG11 unified		
Profiled NBR gasket		Profiled NBR gasket		Profiled NBR gasket		Profiled NBR gasket		Profiled NBR gasket		
Technical data										
Screw contacts		Screw contacts		Screw contacts		Screw contacts		Screw contacts		
0.5 N*m		0.5 N*m		0.5 N*m		0.5 N*m		0.5 N*m		
1-230V AC		24V AC	115V AC	230V AC	24V AC	115V AC	230V AC	24V DC	115V DC	230V DC
Full-Wave Bridge Rectifier (1A)		Full-Wave Bridge Rectifier + Varistor		Full-Wave Bridge Rectifier + Varistor + Led		Full-Wave Bridge Rectifier + Varistor + Led		Bicolour Led + no.2 Diodes (1A)		
-		-		Red		Red		Red (pin 2) ; Green (pin3)		
ø cable 4-8mm or ø cable 6.5-9.5mm		ø cable 4-8mm or ø cable 6.5-9.5mm		ø cable 4-8mm or ø cable 6.5-9.5mm		ø cable 4-8mm or ø cable 6.5-9.5mm		ø cable 4-8mm or ø cable 6.5-9.5mm		
M3 L=32.5mm		M3 L=32.5mm		M3 L=32.5mm		M3 L=32.5mm		M3 L=32.5mm		
Iron+Zinc plated		Iron+Zinc plated		Iron+Zinc plated		Iron+Zinc plated		Iron+Zinc plated		
0.5 N*m		0.5 N*m		0.5 N*m		0.5 N*m		0.5 N*m		
Packaging										
50pcs / box		50pcs / box		50pcs / box		50pcs / box		50pcs / box		
Other accessories options										
See accessories section										
Notes:										
				Connector available with different led colour			Connector available with different led connection: Q8 circuit (Green pin 2; Red pin 3) Q1 circuit (Yellow pin 2; Green pin 3)			