

Part number:

HYDROMA

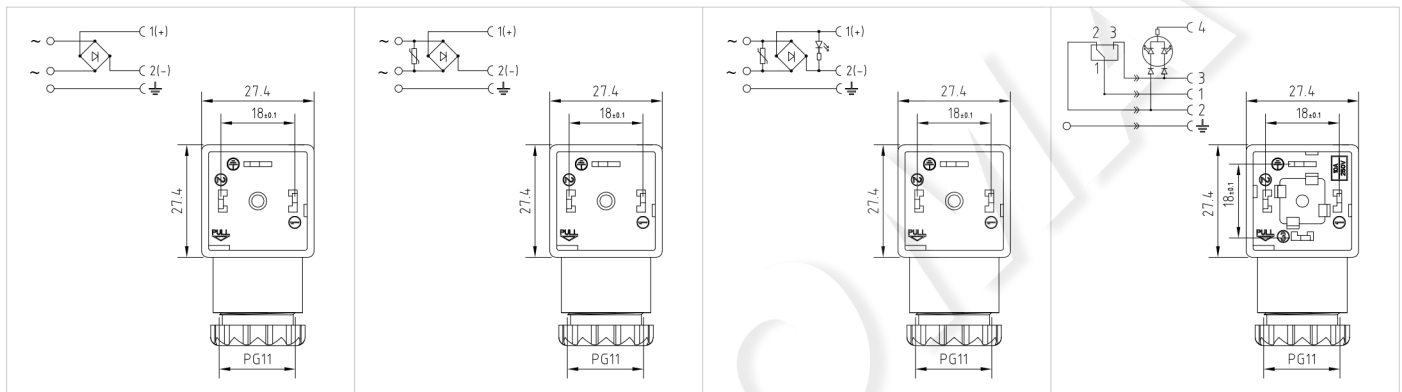
HYDRAULICKÉ SYSTÉMY

HIDROMA
SYSTEMS

UKŁADY HYDRAULICZNE

HYDROMA

ГИДРАВЛИЧЕСКИЕ СИСТЕМЫ

VALVE CONNECTORS**Product description**

DIN valve connectors	DIN valve connectors	DIN valve connectors	DIN valve connectors
EN175301-803	EN175301-803	EN175301-803	EN175301-803
A	A	A	A
G1NU2R03	G1NU2RV1 G1NU2RV2 G1NU2RV3	G1TU2RL1 G1TU2RL2 G1TU2RL3	G1TU3Q01 G1TU3Q02 G1TU3Q03
Square connector G1 series complete with gasket and fixing screw. Connector with electronic.	Square connector G1 series complete with gasket and fixing screw. Connector with electronic.	Square connector G1 series complete with gasket and fixing screw. Connector with electronic.	Square connector G1 series complete with gasket and fixing screw. Connector with electronic.
18mm	18mm	18mm	18mm
2poles + P.E.	2poles + P.E.	2poles + P.E.	3poles + P.E.
H.12 (turnable)	H.12 (turnable)	H.12 (turnable)	H.12 (turnable)
Black	Black	Transparent	Transparent
30mm	30mm	30mm	30mm
PG9/PG11 unified	PG9/PG11 unified	PG9/PG11 unified	PG9/PG11 unified
Profiled NBR gasket	Profiled NBR gasket	Profiled NBR gasket	Profiled NBR gasket

Technical data

Screw contacts	Screw contacts	Screw contacts	Screw contacts
0.5 N*m	0.5 N*m	0.5 N*m	0.5 N*m
1-230V AC	24V AC 115V AC 230V AC	24V AC 115V AC 230V AC	24V DC 115V DC 230V DC
Full-Wave Bridge Rectifier (1A)	Full-Wave Bridge Rectifier + Varistor	Full-Wave Bridge Rectifier + Varistor + Led	Bicolour Led + no.2 Diodes (1A)
-	-	Red	Red (pin 2) ; Green (pin3)
ø cable 4-8mm or ø cable 6.5-9.5mm	ø cable 4-8mm or ø cable 6.5-9.5mm	ø cable 4-8mm or ø cable 6.5-9.5mm	ø cable 4-8mm or ø cable 6.5-9.5mm
M3 L=32.5mm	M3 L=32.5mm	M3 L=32.5mm	M3 L=32.5mm
Iron+Zinc plated	Iron+Zinc plated	Iron+Zinc plated	Iron+Zinc plated
0.5 N*m	0.5 N*m	0.5 N*m	0.5 N*m

Packaging

50pcs / box	50pcs / box	50pcs / box	50pcs / box
-------------	-------------	-------------	-------------

Other accessories options

See accessories section

Notes:

Connector available with different led colour

Connector available with different led connection:
Q8 circuit (Green pin 2; Red pin 3)
Q1 circuit (Yellow pin 2; Green pin 3)