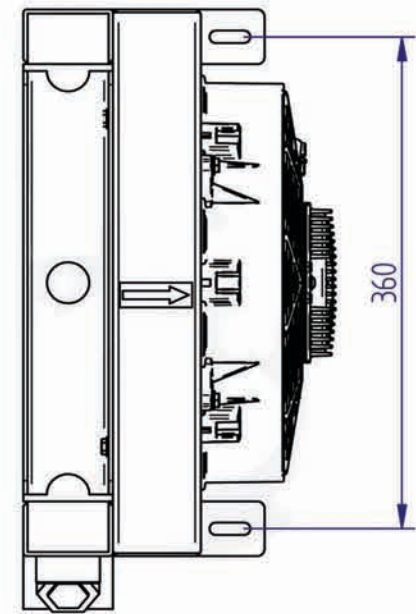
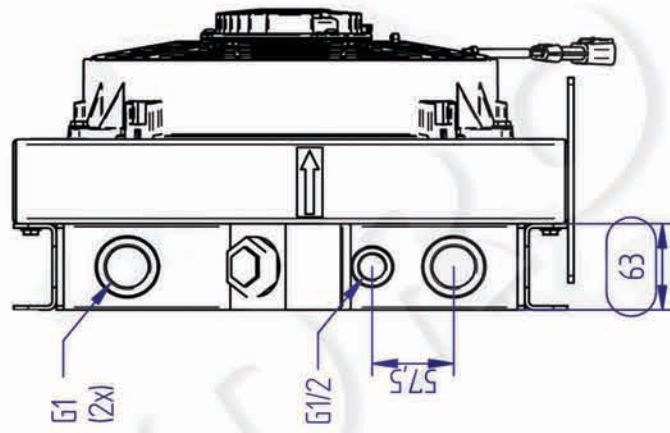
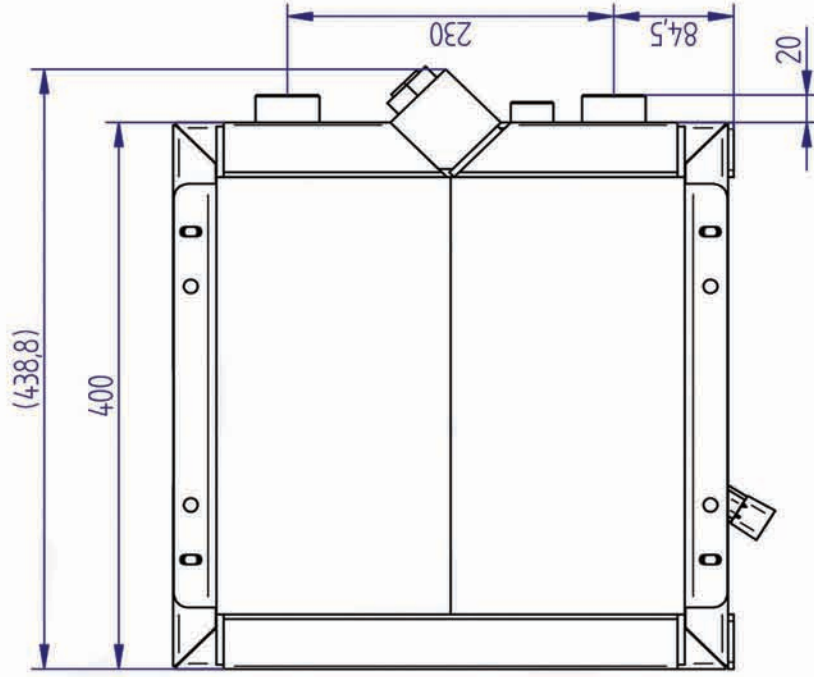
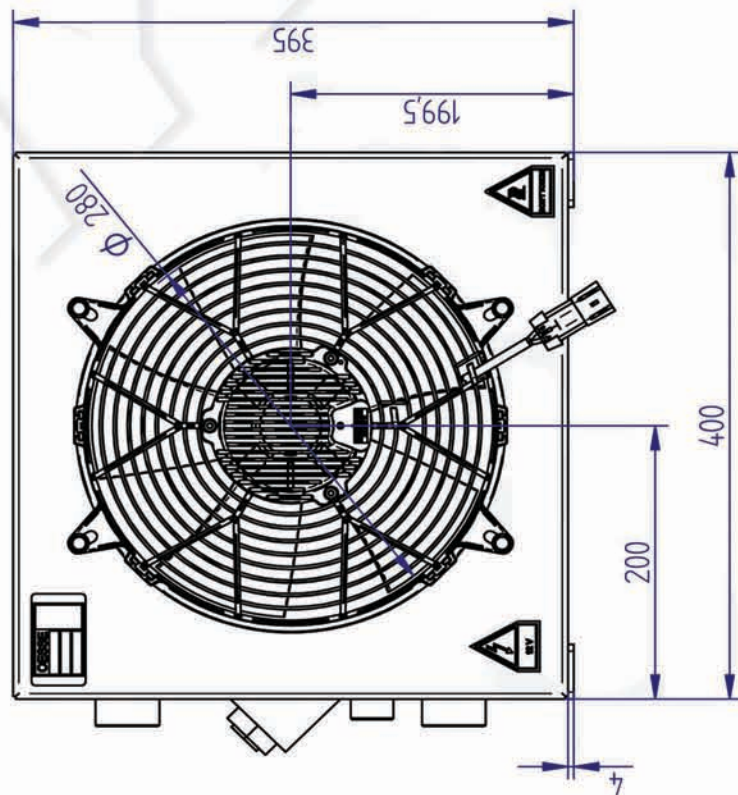
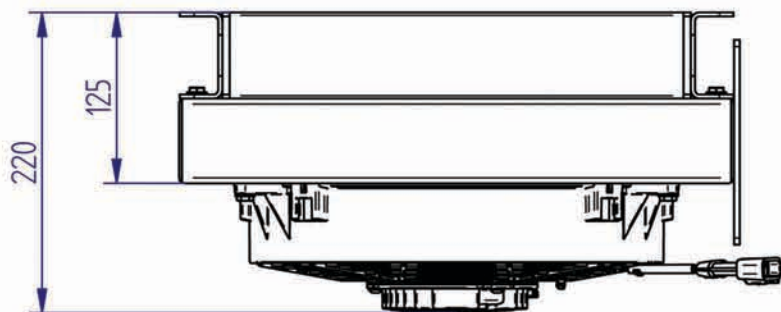
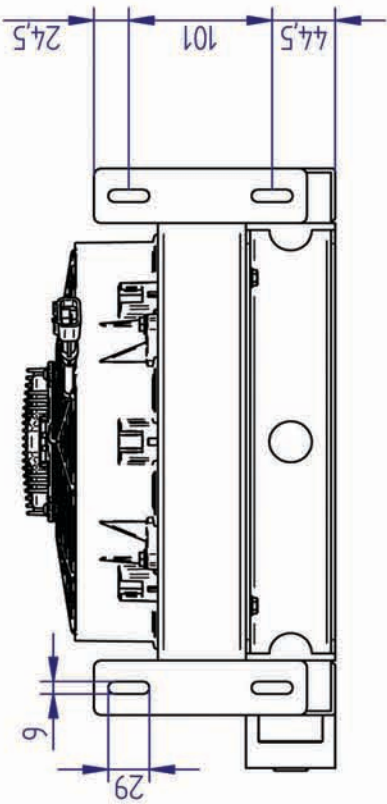


Part number:



REV.	DESCRIPTION	DRW.	n° Project	DATE
-	-	-	-	-
-	-	-	-	-

The welding of aluminum parts meet the requirements set forth in standard EN ISO 10042 - Quality Level C unless stated otherwise
The welding of steel parts meet the requirements set forth in standard EN ISO 5817 - Quality Level C unless stated otherwise

General Tolerances	>3-6	>6-30	>30-120	>120-400	>400-1000	>1000-2000	>2000-4000	Angoli
ISO 2768-v	±0.5	±1	±1.5	±2.5	±4	±6	±8	±1°

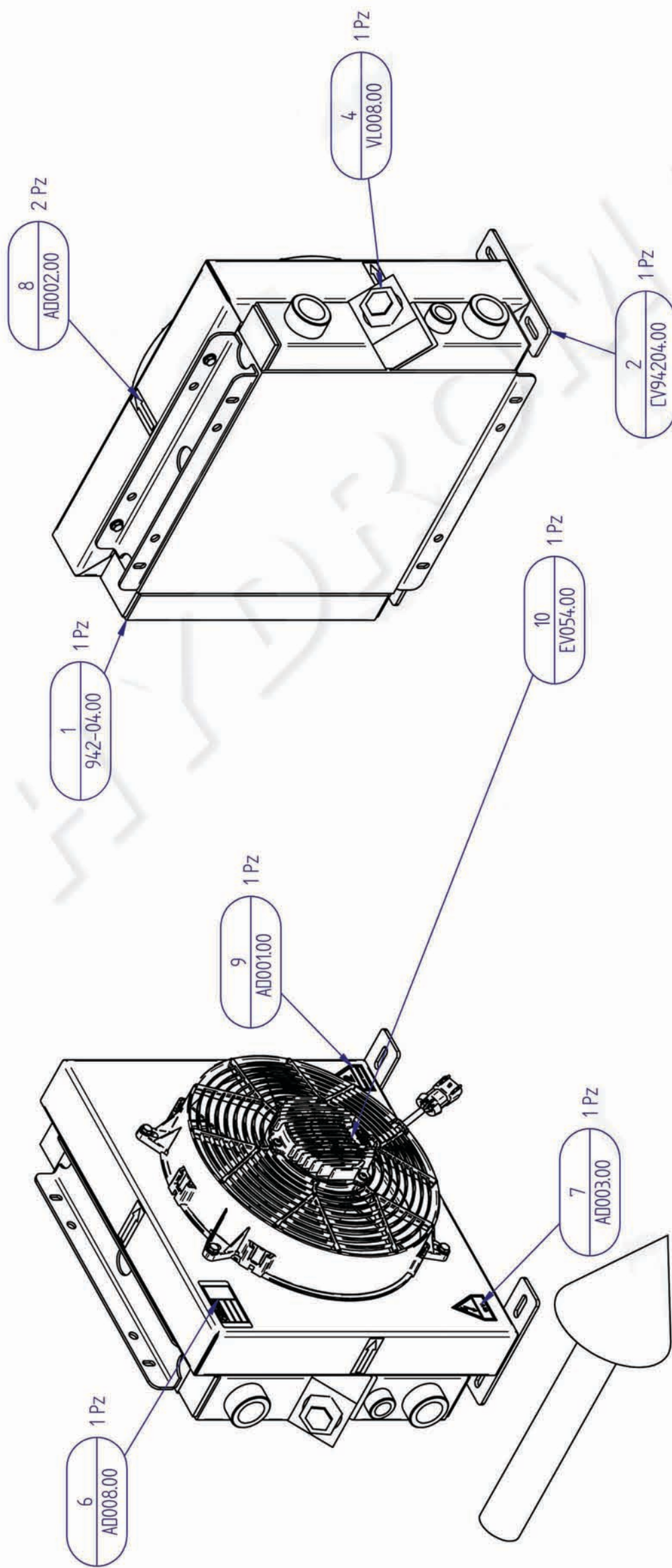
Painting : SP092

Material	First Issue Date	Last Issue Date	Page
SP092	20/09/2017	27/10/2017	1/2

Designer 3D	Designer 2D	App/Ver	Project N°	Scale
			PR171279	1:1

Description
CU - OIL COOLER 2PASS + BYPASS FPR C150

Derived From Code: Customer code: Code
HS94204.00



VENTOLA ASPIRANTE
SUCKING FAN

Pos	Cod.	Descrizione	Description	Qty.
1	942-04.00	HE 0400x063x0330 - W01-S01	HE 0400x063x0330 - W01-S01	1
2	CV94204.00	CONVEYOR 400x395x62 - Ø290	CONVEYOR 400x395x62 - Ø290	1
4	VL008.00	VALV.RIT.UNIDIREZ. 2.5 bar		1
5*	VT002.00	VITE TEFD DIN6921 M6x20-8.8 ZB	SCREW EHFN DIN6921 M6x20-8.8 WZ	8
6	AD008.00	ETIC. 57X38 MYLARD AN40 (DATI CARATT.)	PRODUCT LABEL 57X38 MYLARD AN.40	1
7	AD003.00	LABEL 12V		1
8	AD002.00	ADESIVO FRECCIA	ARROW LABEL	2
9	AD001.00	ADESIVO PARTI CALDE	HOT SURFACES LABEL	1
10	EV054.00	Ventilatore DC 12V Ø280 ASP. WPC	SUCKER FAN DC 12V Ø280 WPC	1

REV.	DESCRIPTION	DRW.	n° Project	DATE
-	-	-	-	-
-	-	-	-	-
-	-	-	-	-

The welding of aluminum parts meet the requirements set forth in standard EN ISO 10042 - Quality Level C unless stated otherwise
The welding of steel parts meet the requirements set forth in standard EN ISO 5817 - Quality Level C unless stated otherwise

General Tollerances	0.5-3	>3-6	>6-30	>30-120	>120-400	>400-1000	>1000-2000	>2000-4000	Angoli
ISO 2768-v	-	±0.5	±1	±1.5	±2.5	±4	±6	±8	±1°

Painting : SP092

Material	First Issue Date	Last Issue Date	Page
SP092	20/09/2017	27/10/2017	2 / 2

Designer 3D	Designer 2D	App/Ver	Project N°	Scale
	SP095		PR17/279	---

Description
CU - OIL COOLER 2PASS + BYPASS FPR C150

Derived From Code: Customer code: Code
HS94204.00