

Part number:

**HYDROMA**

HYDRAULICKÉ SYSTÉMY

**HIDROMA  
SYSTEMS**

UKŁADY HYDRAULICZNE

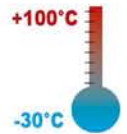
**HYDROMA**

ГИДРАВЛИЧЕСКИЕ СИСТЕМЫ

Level indicators

SLV - VERTICAL LEVEL GAUGES

SLVT - VERTICAL LEVEL GAUGES WITH THERMOMETER



Thermoplastic level gauges made from transparent polyamide which provides good mechanical resistance and is impervious to mineral oil, gasoline, lubricants, petroleum, solvents and most chemical agents (please refer to technical table N.1 page 58); avoid contact with alcohol based solutions and antifreeze liquids at high temperatures and hot water over 80°C

**Max working temperature 100°C** (test made up to 1 bar = 15 psi)

These level gauges are used in oil and fuel tanks of many types, due to their ability to remain clear in the majority of conditions; the transparent body of the level gauge retains its transparency under most climatic conditions.

The body of the level gauge is made by ultrasonically welding two halves together to ensure a leak free seal around the body. Inside is fitted a white screen with minimum and maximum level indication. External seal is guaranteed by o-rings and flat rubber washers on each fixing bolt.

The mounting of the level gauge can be made externally by providing 2 threaded holes M10 or M12 on 76 mm or 127 mm centre distance, tolerance +/- 0.3mm. Alternatively they can be secured internally through 2 plain holes 10.2 mm or 12.2 mm, tolerance 0 + 0.2 mm using the flanged nuts provided.

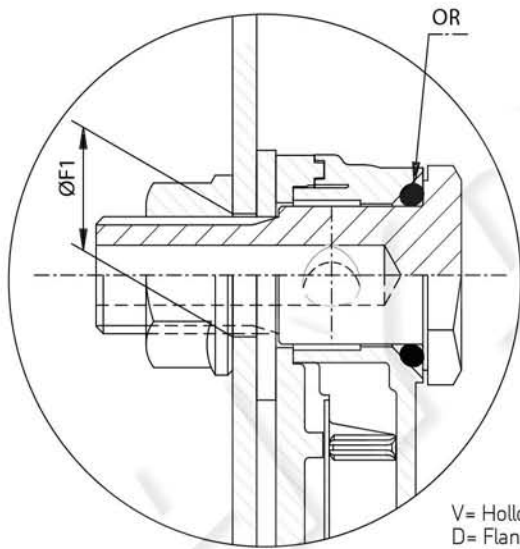
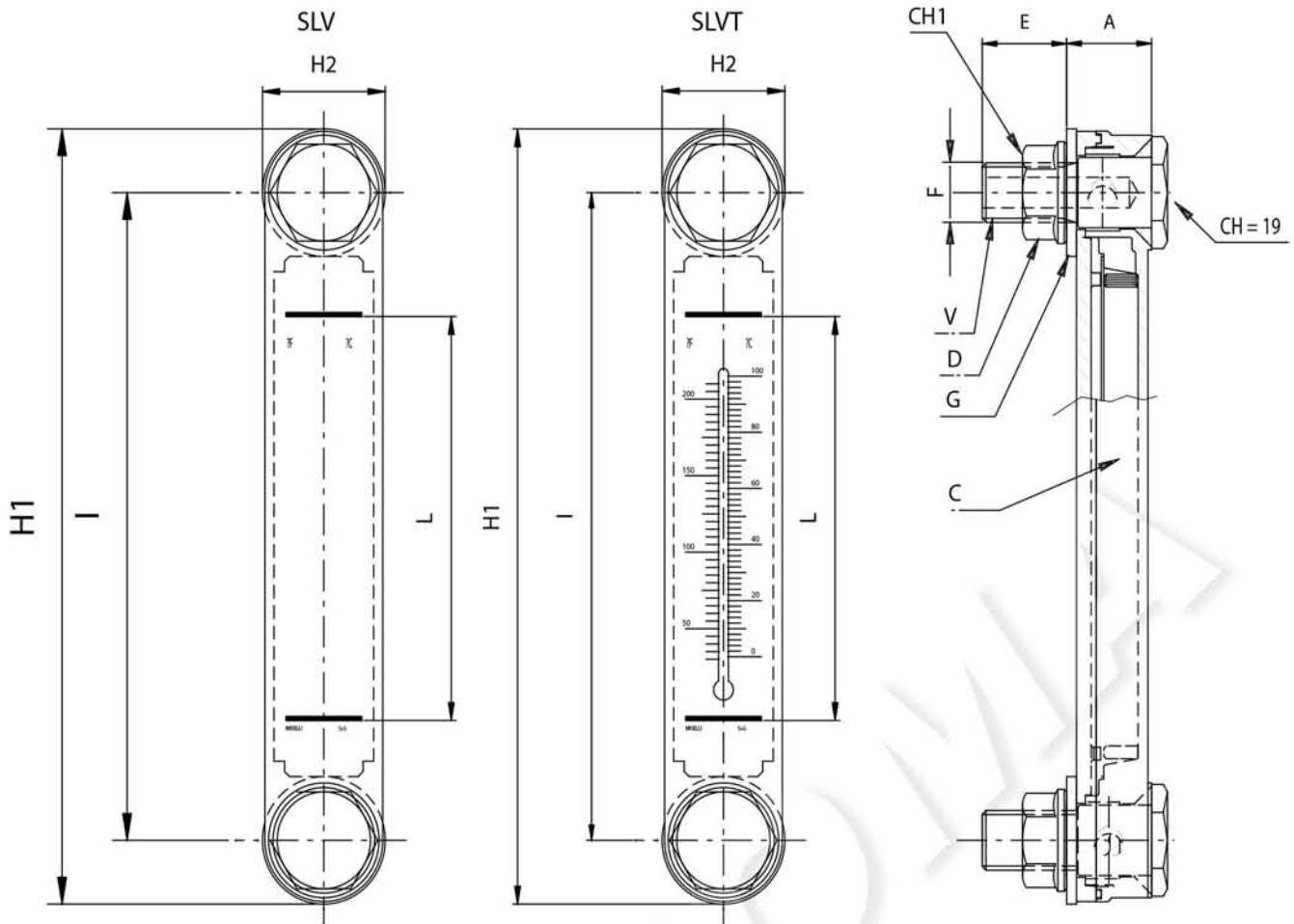
**Maximum tightening torque suggested 5 Nm.**

Model SLVT is equipped with an inside thermometer scaled in degrees Celsius 0-100°C and Fahrenheit 50-200°F 50-200° F (0-80°C / 50-175 F model SLVT/76).

**Pressure resistance:** based on internal technical seal test made using hydraulic fluid at different temperatures degree has been verified the following data:

20°C- 68F = up to 145 PSI

60°C-140F = up to 116 PSI



V= Hollow bolt  
 D= Flanged hex nut  
 G= Flat NBR seal  
 C=Transparent body

### Special Executions

**Model SLV-T/CX** made from special resin resistant to fluid containing alcohol and anti-freeze liquids

**Model SLV-T/RB** with floating red ball to improve visibility of the fluid level of light colored liquid.

**Model SLV-T/INOX** provided with stainless steel nuts and bolts AISI 303 suitable for applications in corrosive environments such as marine.

Code	I	H1	H2	F	E	A	L	CH1	ØF1	weight gr
SLV/76	76	100	27	M10	19	23	39	15	10.2	100
SLV/76/M12	76	100	27	M12	19	23	39	18	12.2	100
SLVT/76	76	100	27	M10	19	23	39	15	10.2	100
SLVT/76/M12	76	100	27	M12	19	23	39	18	12.2	100
SLV/127	127	150	27	M12	19	23	80	18	12.2	135
SLV/127/M10	127	150	27	M10	19	23	80	15	10.2	135
SLVT/127	127	150	27	M12	19	23	80	18	12.2	135
SLVT/127/M10	127	150	27	M10	19	23	80	15	10.2	135