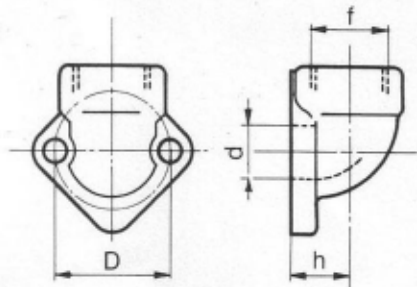


Pompa
Pump

1
2
3
3.5
4

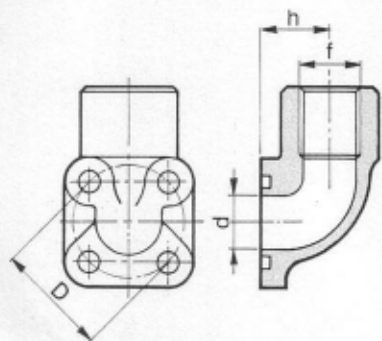


Raccordi a gomito in ghisa forniti con viti, rondelle e O-Ring.
Elbows in C.I. supplied with screws, washers and O-Rings.

TIPO TYPE	d	f	h	D
3/8"x30	12	3/8" GAS	17,5	30
1/2"x30	12	1/2" GAS	17,5	30
3/8"x40	14	3/8" GAS	18	40
1/2"x40	14	1/2" GAS	21	40
3/4"x40	19	3/4" GAS	21	40
1"x51	25,5	1" GAS	25,5	51
3/4"x56	20	3/4" GAS	27	56
1"x56	25,5	1" GAS	27	56
1 1/4"x62	32	1 1/4" GAS	34,5	62
1 1/2"x72,5	40	1 1/2" GAS	34,5	72,5
2 1/2"x92	65	2 1/2" GAS	51	92

Pompa
Pump

2BK
3BK



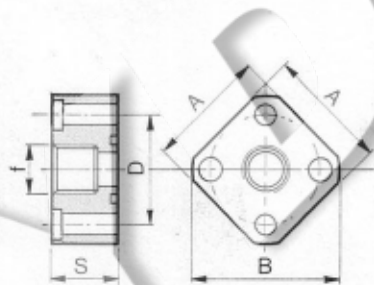
Raccordi a gomito in ghisa forniti con viti, rondelle e O-Ring.
Elbows in C.I. supplied with screws, washers and O-Rings.

TIPO TYPE	f	D	d	h
2BK 3/8"x35	3/8" GAS	35	13	18
2BK 1/2"x35	1/2" GAS	35	13	18
2BK 18x35	M18x1,5	35	13	18
2BK 18x40	M18x1,5	40	19	24
2BK 1/2"x40	1/2" GAS	40	19	24
2BK 3/4"x40	3/4" GAS	40	19	24
* 3BK 1"x55	1" GAS	55	25	29

* Raccordo a gomito solo in alluminio con viti, rondelle e O-Ring

Pompa
Pump

1P-1
2
3
3,5
4

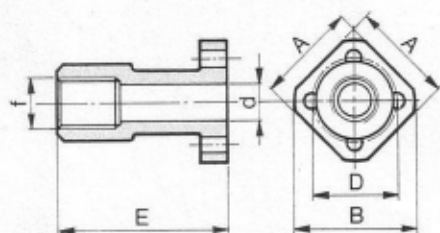


Raccordi in acciaio forniti con viti, rondelle e O-Ring.
Steel elbows supplied with screws, washers and O-Rings.

TIPO TYPE	A	B	f	D	S
FI 3/8"x30	35	42	3/8"	30	22
FI 3/8"x40	45	59	3/8"	40	27
FI 1/2"x40	45	59	1/2"	40	27
FI 3/4"x56	60	78	3/4"	56	29
FI 1"x56	60	78	1"	56	29
FI 1 1/4"x62	70	82	1 1/4"	62	39
FI 1 1/2"x72,5	80	98	1 1/2"	72,5	44

Pompa
Pump

1P-1
2
3



Raccordi in acciaio forniti con viti, rondelle e O-Ring.
Steel elbows supplied with screws, washers and O-Rings.

TIPO TYPE	A	B	d	f	E	D
DFI 3/8"x30	35	42	12,5	3/8"	55	30
DFI 1/2"x30	35	42	12,5	1/2"	55	30
DFI 3/8"x40	40	53	12,5	3/8"	65	40
DFI 1/2"x40	40	53	12,5	1/2"	65	40
DFI 3/4"x40	40	53	19	3/4"	65	40
DFI 3/4"x56	60	73	20	3/4"	65	56
DFI 1"x56	60	73	26	1"	65	56