

Part number:

**HYDROMA**

HYDRAULICKÉ SYSTÉMY

**HIDROMA  
SYSTEMS**

UKŁADY HYDRAULICZNE

**HYDROMA**

ГИДРАВЛИЧЕСКИЕ СИСТЕМЫ

## Manifolds

RE 18325-85/06.21 1/16  
Replaces: RE 18325-85/01.21

Standard manifolds common cavity  
Standard manifolds special cavity  
Manifolds with emergency screw  
Manifolds with SUN cavity



### General specifications

- |  |                    |
|--|--------------------|
| • Max operating pressure for steel body:               | 350 bar (5000 psi) |
| • Max operating pressure for high pressure steel body: | 500 bar (7250 psi) |
| • Max operating pressure for aluminium body:           | 210 bar (3000 psi) |

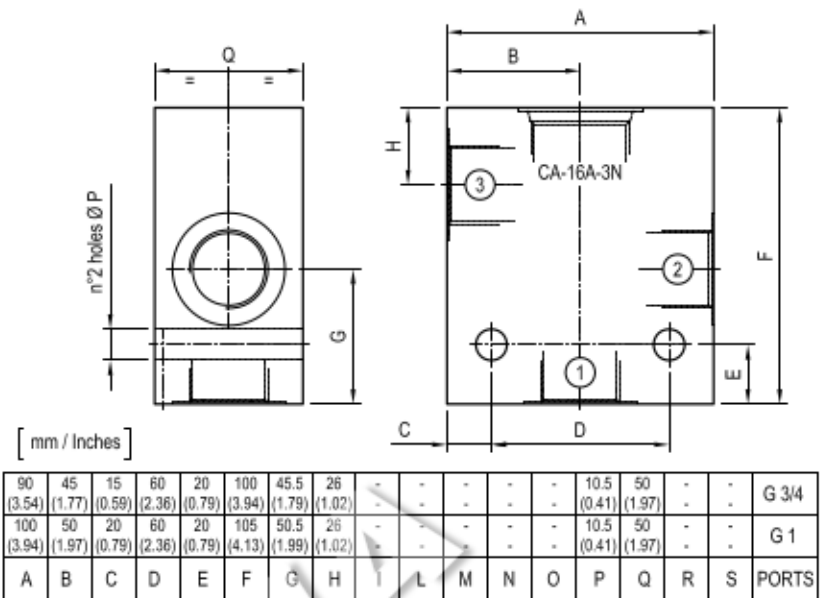
Note: aluminium bodies are often strong enough for operating pressures exceeding 210 bar (3000 psi), depending from the fatigue life expected in the specific application. If in doubt, consult our Service Network.

# Standard manifolds - Common cavity

## Size 16 - Aluminium / Steel

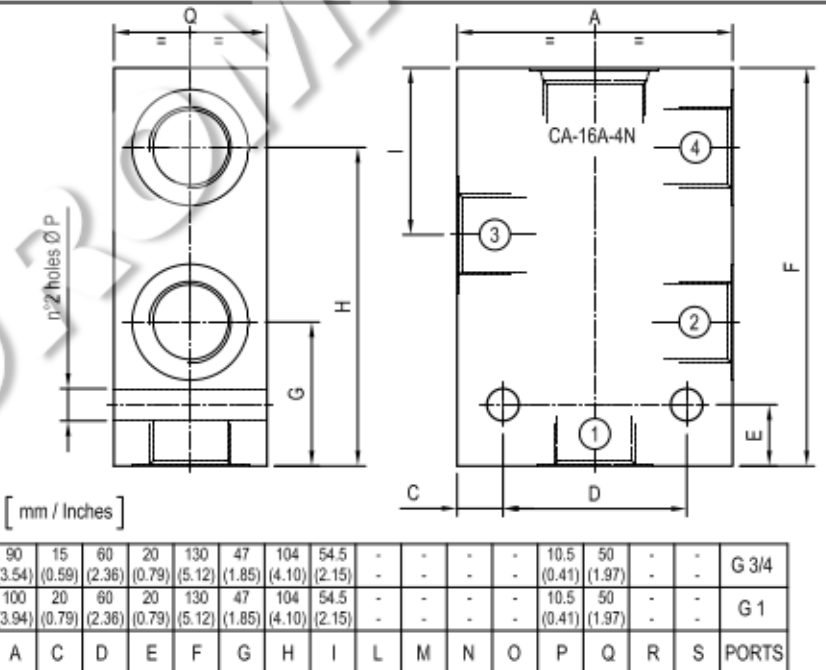
CAVITY: CA-16A-3N

	Ordering code	Ports 1-2-3	Weight kg (lbs)
Aluminium	OC1009228 R934000189	G 3/4	0.98 (2.16)
	OC1009230 R934000191	G 1	1.11 (2.45)
Steel	OC1009229 R934000190	G 3/4	2.76 (6.09)
	OC1009231 R934000192	G 1	3.11 (6.86)



CAVITY: CA-16A-4N

	Ordering code	Ports 1-2-3-4	Weight kg (lbs)
Aluminium	OC1009244 R934000205	G 3/4	1.28 (2.82)
	OC1009246 R934000207	G 1	1.36 (3.00)
Steel	OC1009245 R934000206	G 3/4	3.59 (7.92)
	OC1009247 R934000208	G 1	3.81 (8.40)



CAVITY: CA-16A-4N  
(Port 1 closed)

	Ordering code	Ports 1-2-3-4	Weight kg (lbs)
Aluminium	OC1009256 R934000217	G 3/4	1.19 (2.62)
	OC1009258 R934000219	G 1	1.28 (2.82)
Steel	OC1009257 R934000218	G 3/4	3.34 (7.36)
	OC1009259 R934000220	G 1	3.58 (7.89)

