

Part number:

**HYDROMA**

HYDRAULICKÉ SYSTÉMY

**HIDROMA**  
SISTEMS

UKŁADY HYDRAULICZNE

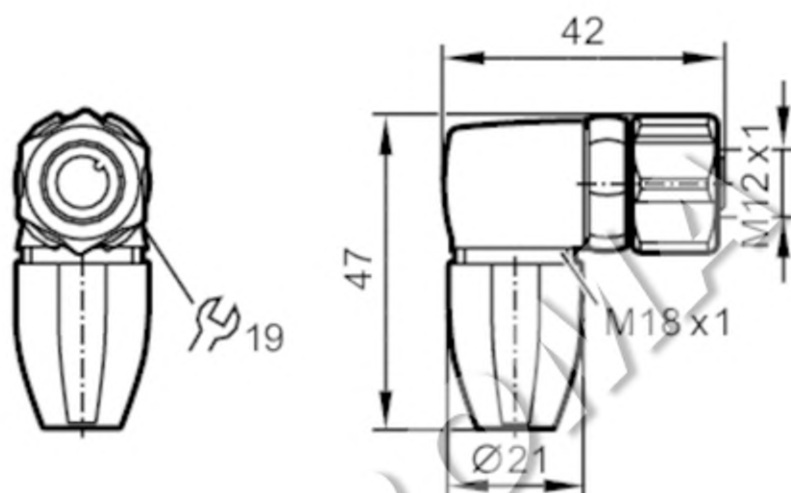
**HYDROMA**

ГИДРАВЛИЧЕСКИЕ СИСТЕМЫ

## EVC815

### Wirable socket

SDOAH050MSSFKPG



Application	
Special feature	Free from silicone; Gold-plated contacts
Free from silicone	yes
Electrical data	
Operating voltage [V]	< 60 AC/DC
Protection class	II
Max. current load total [A]	4; (...40 °C)
Operating conditions	
Ambient temperature [°C]	-25...90
Storage temperature [°C]	-25...55
Storage humidity [%]	10...100
Other climatic conditions for storage according to stated class	1K22/ DIN 60721-3-1
Protection	IP 65; IP 67; IP 68; IP 69K
Mechanical data	
Weight [g]	43.6
Moulded-body material	PA 6.6
Material nut	brass, nickel-plated
Sealing material	FKM
Remarks	
Pack quantity	1 pcs.

# EVC815

## Wirable socket

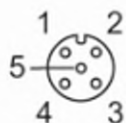
SDOAH050MSSFKPG

### Electrical connection

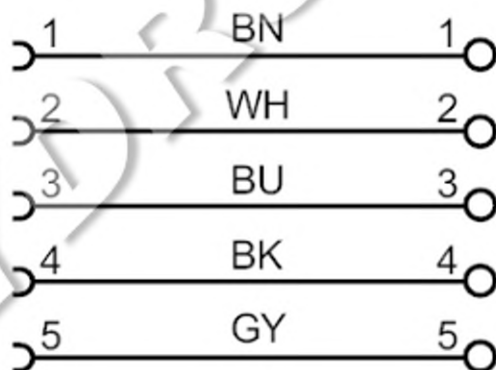
screw terminals: 0.25...1 mm<sup>2</sup>; Cable sheath: Ø 3.5...6 mm; AWG 23...17

### Electrical connection - socket

Connector: 1 x M12, angled; coding: A; Moulded body: PA 6.6, orange; Locking: brass, nickel-plated; Sealing: FKM; Contacts: gold-plated; Tightening torque: 0.6...1.2 Nm; Take into account the maximum value of the counterpart!



### Connection



#### Core colours

BN =	brown
WH =	white
BU =	blue
BK =	black
GY =	grey

colours to DIN EN 60947-5-2