

Part number:

HYDROMA

HYDRAULICKÉ SYSTÉMY

**HIDROMA
SYSTEMS**

UKŁADY HYDRAULICZNE

HYDROMA

ГИДРАВЛИЧЕСКИЕ СИСТЕМЫ

Accumulator Safety Blocks SBA Series

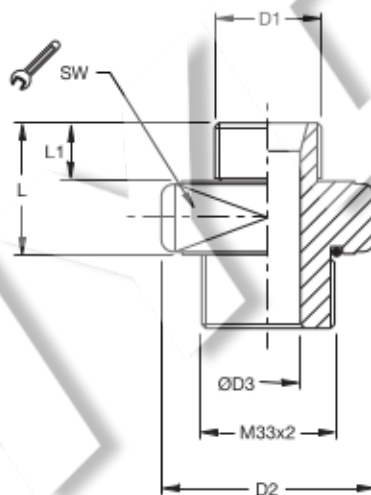
Adapters and Ordering

Adapters – Accumulator to Safety Block

SBAR Series

Accumulator Fluid Port D1		Safety Block Port A	SW	L	L1	D2	D3	Part Number	Use with SBAR	For Accumulator Type		
										Bladder	Diaphragm	Piston
G ³ / ₄	ISO 228	M33x2	46	33	16	53	16	UEST-T- ³ / ₄	10 & 20	X		
G1 ¹ / ₄	ISO 228	M33x2	55	41	20	63	20	UEST-T-1 ¹ / ₄	10 & 20	X		
G2	ISO 228	M33x2	80	46	22	90	20	UEST-T-2	10 & 20	X		
G2	ISO 228	Flange 100	-	50	22	-	30	UEST-F-2	32	X		
G ¹ / ₂	ISO 228	M33x2	46	34	14	53	12	UEST-T- ¹ / ₂ ED	10 & 20		X	X
G ³ / ₄	ISO 228	M33x2	46	36	16	53	16	UEST-T- ³ / ₄ ED	10 & 20		X	X
G1 ¹ / ₂	ISO 228	Flange 100	-	70	22	-	30	UEST-F-1 ¹ / ₂	32			X

Threaded Adapter UEST-T-xx



Flanged Adapter UEST-F-xx

