

Part number:

HYDROMA

HYDRAULICKÉ SYSTÉMY

**HIDROMA
SYSTEMS**

UKŁADY HYDRAULICZNE

HYDROMA

ГИДРАВЛИЧЕСКИЕ СИСТЕМЫ

Sandwich valve module with solenoid valve and flow restrictor

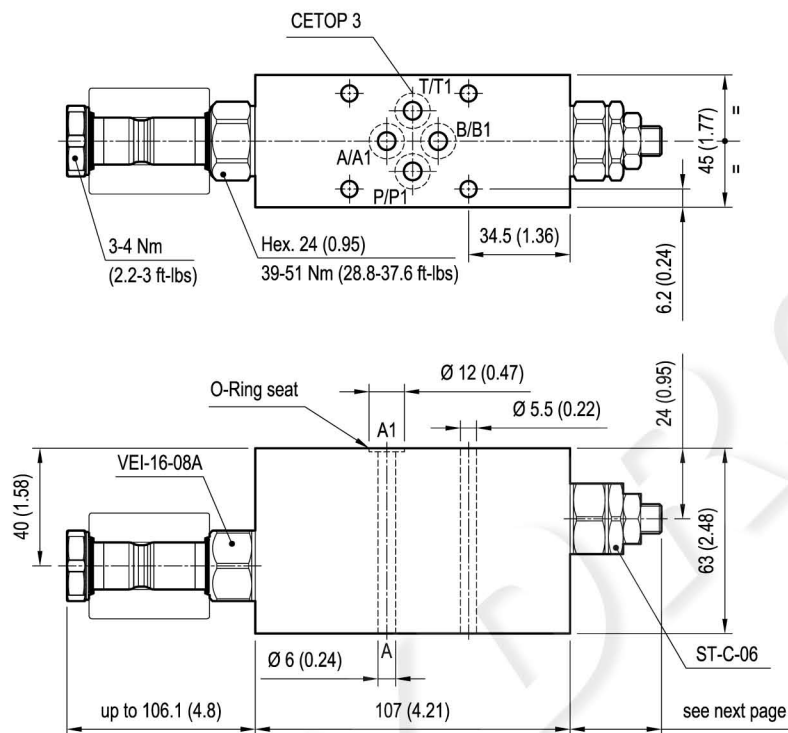
EM-VEI-16-08A-ST-CETOP 3-A1

OP.61 - K - X - 29 - Y - Z

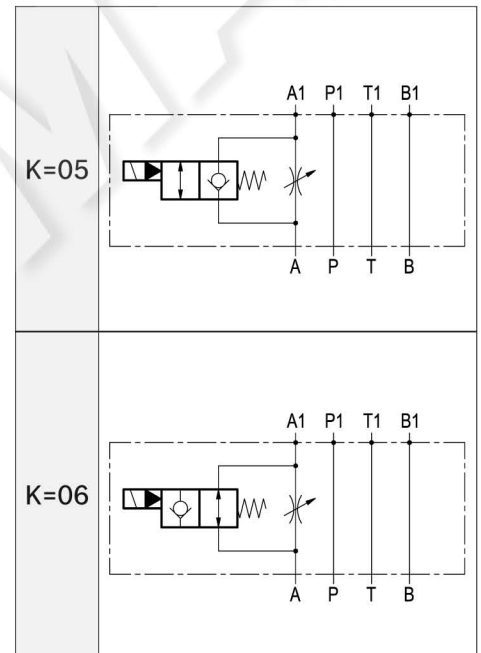
RE 18332-87

Edition: 12.2016

Dimensions



Configurations available (K)



[mm (inches)]

Technical data

Max. flow: up to 40 l/min (11 gpm)

Max. operating pressure: 210 bar (3000 psi)

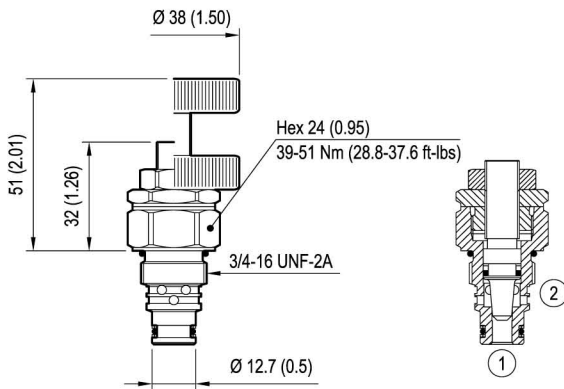
Standard manifold in high strength aluminium.

For working pressure up to 350 bar (5000 psi) and for fatigue applications with any working pressure, steel manifolds are available upon request.

Fluids: Mineral-based or synthetics with lubricating properties at viscosities of 20 to 380 mm²/s (cSt)

Other technical data See data sheet 18350-50

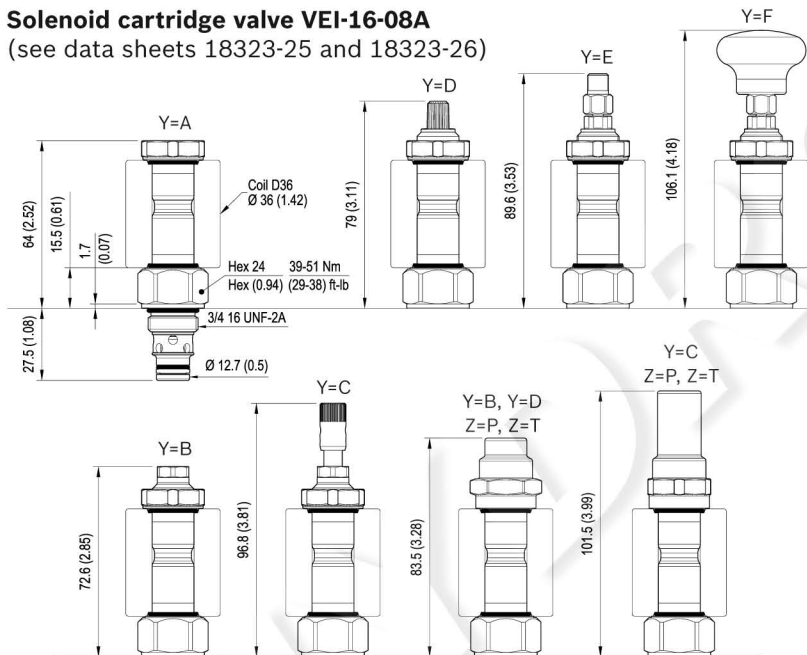
Flow restrictor ST-C-06 (see data sheet 18321-26)



Cavity: CA-08A-2N

| X | ST-C-06 ADJUSTMENTS | |
|----|-----------------------------|--|
| 03 | Leakproof hex. socket screw | |
| 04 | Handknob and locknut | |

Solenoid cartridge valve VEI-16-08A
(see data sheets 18323-25 and 18323-26)



Technical data

| General | |
|---|--|
| Installation orientation | Unrestricted |
| Ambient temperature range | -30 to 90 °C (-22 to 194 °F) |
| Hydraulic | |
| Max. operating pressure | 350 bar (5000 psi) |
| Flow range | 0.5 - 40 l/min (0.1 - 11 gpm) |
| Max. internal leakage | 5 drops/min. |
| Switching time | Opening ≤ 50 ms Closing ≤ 100 ms |
| Fluid temperature range | -20 to 80 °C (-4 to 176 °F) |
| Fluids: | Mineral-based or synthetics with lubricating properties at viscosities of 20 to 380 mm ² /s (cSt) |
| Installation torque | 39 - 51 Nm (29 - 38 ft-lbs) |
| Recommended degree of fluid contamination | Nominal value max. 10 µm (NAS 8) ISO 4406 19/17/14 |
| MTTFd | 150 years (see 18350-51) |
| Cavity | CA-08A-2N (see 18325-70) |
| Other technical data | See data sheet 18350-50 |
| Electrical | |
| Type of voltage | DC voltage |
| Coil type | D36 |
| Supply voltage | See data sheet 18325-90 |
| Voltage tolerance against ambient temperature | See characteristic curve |
| Power consumption | 20 W |
| Type of protection | See data sheet 18325-90 |

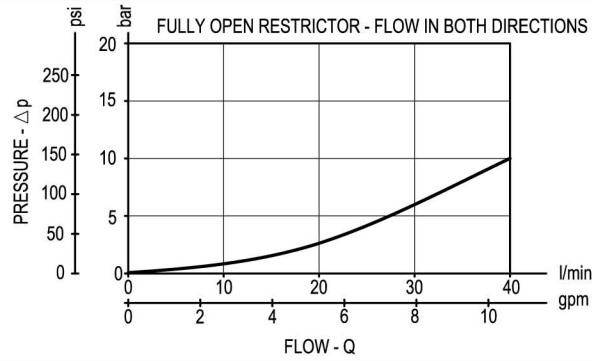
Note: Coils must be ordered separately

Manual override options (Y)

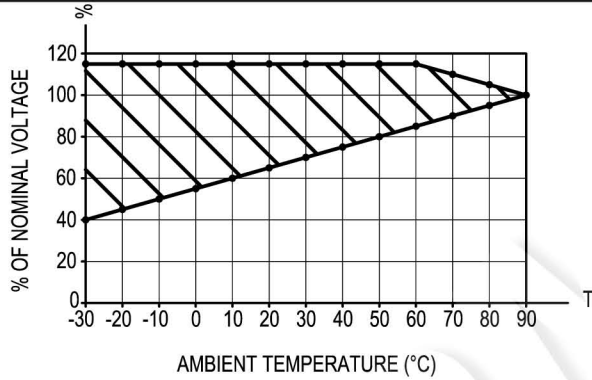
| Seal and prot. cap. (Z) | Manual override options (Y) | | | | | |
|-------------------------|-----------------------------|------|------|------|------|------|
| | A | B | C | D | E | F |
| O | K=05 K=06 | K=06 | K=06 | K=05 | K=05 | K=05 |
| V | K=05 K=06 | K=06 | K=06 | K=05 | K=05 | K=05 |
| P | / | K=06 | K=06 | K=05 | / | / |
| T | / | K=06 | K=06 | K=05 | / | / |

Characteristic curves

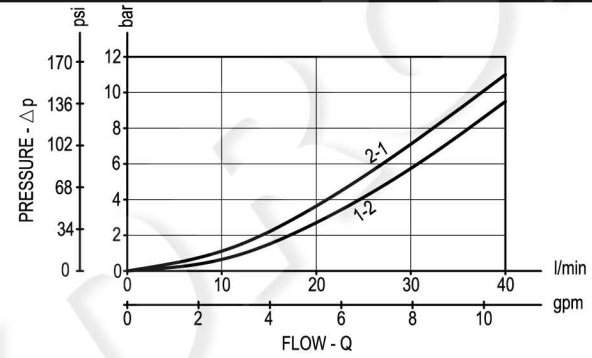
ST-C-06



VEI-16-08A all Versions - Admissible supply voltage Vs. Ambient temperature at 100% duty cycle



VEI-16-08A all Versions



Ordering code

| | | | | | |
|--------------|----------|----------|-----------|----------|----------|
| OP.61 | K | X | 29 | Y | Z |
|--------------|----------|----------|-----------|----------|----------|

Sandwich valve module with solenoid valve and flow restrictor

Configuration **05**

Configuration **06**

See page 1

Flow restrictor adjustments
see page 2

Solenoid cartridge seals and accessories options

O = With buna seal

V = With Viton seal

P = With buna seal and protective cap for override version **B, C** and **D**

T = With Viton seal and protective cap for override version **B, C** and **D**

Solenoid cartridge options

A = Standard

B = Push style manual override

C = Push and twist style manual override

D = Knob style manual override

E = Pull style manual override

F = Hand operated pull style manual override

Flange CETOP 3 (DOT 3)

Note: for solutions availability (K-Y-Z combinations), please refer to TAB.1 on page 2.