

Part number:

Standard integrated circuit solenoid operated ventable relief valve

VSP-19-VEI-16-08A

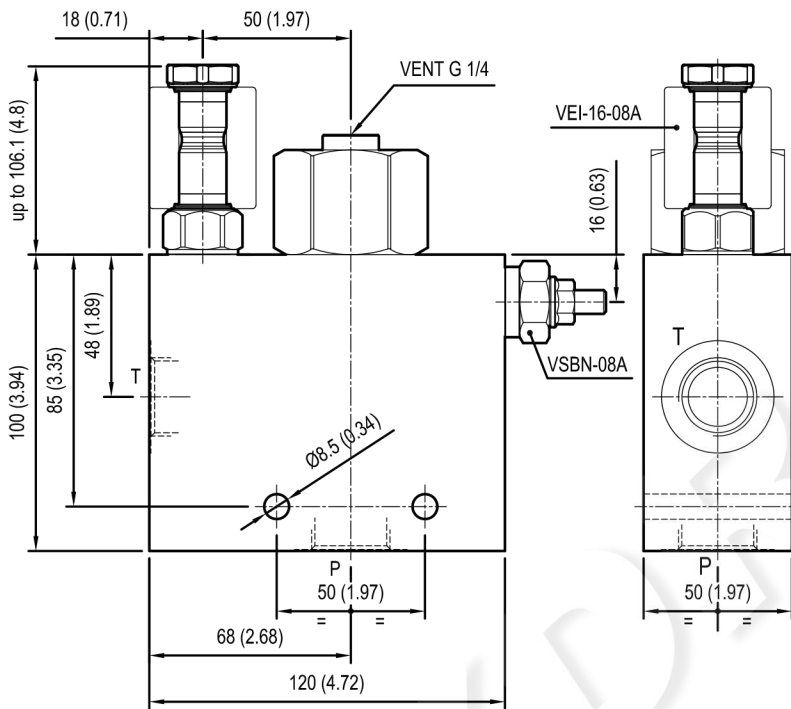
OL - K - Y - Z - X - W - 00

RE 18332-48

Edition: 02.2019

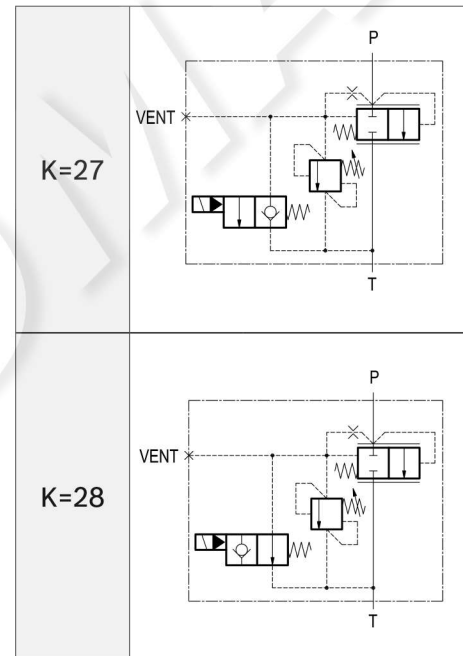
Replaces: 12.2016

Dimensions



[mm (inches)]

Configurations available (K)



Technical data

Max. flow: up to 200 l/min (53 gpm)

Max. operating pressure: 210 bar (3000 psi)

Standard manifold in high strength aluminium.

For working pressure up to 350 bar (5000 psi) and for fatigue applications with any working pressure, steel manifolds are available upon request.

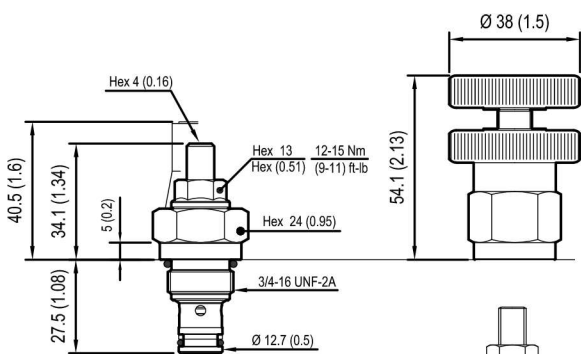
Weight: 1.3 kg (2.9 lbs)

Fluids: Mineral-based or synthetics with lubricating properties at viscosities of 20 to 380 mm²/s (cSt)

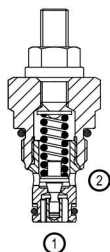
This integrated circuit contains one relief valve type VSBN-08A operating from P to T and one solenoid valve type VEI-16-08A

Other technical data See data sheet 18350-50

Cartridge valve VSBN-08A (see data sheet 18318-01)



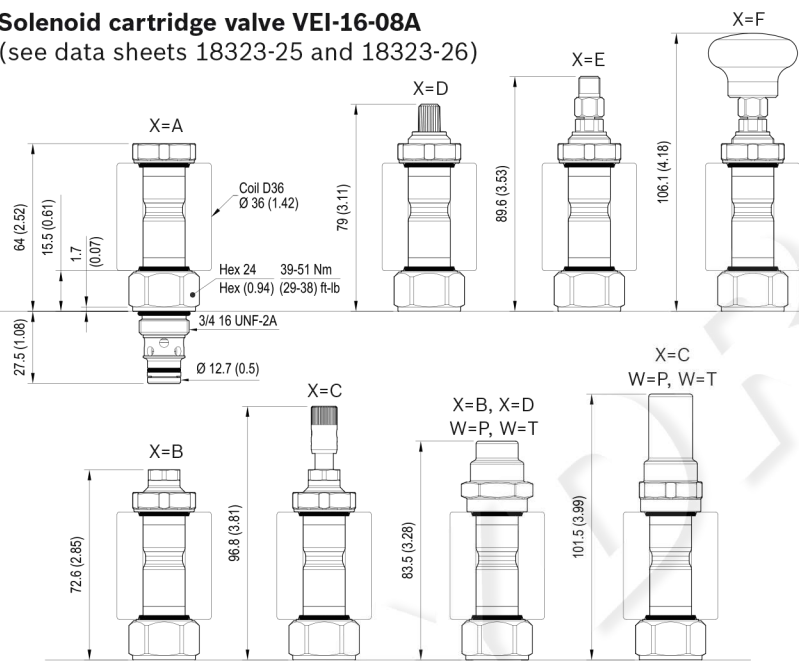
Cavity : CA-08A-2N



Z	VSBN-08A Setting			
	Adj. pressure range bar (psi)	Press. increase bar/turn (psi/turn)	Std. setting bar (psi) (Q=5 l/min)	
	01	35-140 (500-2000)	50 (725)	100 (1450)
	04	105-210 (1500-3000)	79 (1145)	200 (2900)
	07	175-350 (2538-5000)	170 (2465)	350 (5000)
	08	35-350 (500-5000)	72 (1044)	350 (5000)

ADJUSTMENTS		OPTIONS
Leakproof hex. socket screw		 Tamper resistant cap 11.04.23.002
Handknob and locknut		

Solenoid cartridge valve VEI-16-08A
(see data sheets 18323-25 and 18323-26)



Technical data

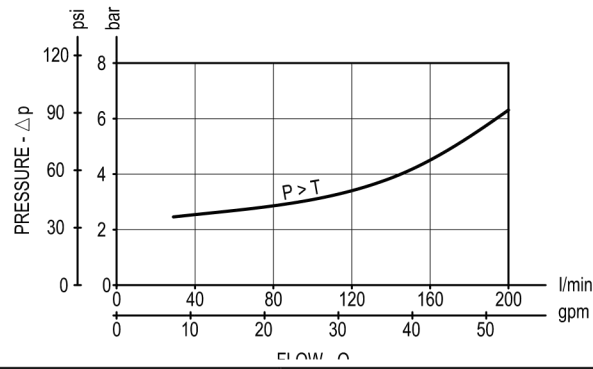
General	
Installation orientation	Unrestricted
Ambient temperature range	-30 to 90 °C (-22 to 194 °F)
Hydraulic	
Max. operating pressure	350 bar (5000 psi)
Flow range	0.5 - 40 l/min (0.1 - 11 gpm)
Max. internal leakage	5 drops/min.
Switching time	Opening ≤ 50 ms
	Closing ≤ 100 ms
Fluid temperature range	-20 to 80 °C (-4 to 176 °F)
Fluids: Mineral-based or synthetics with lubricating properties at viscosities of 20 to 380 mm ² /s (cSt)	
Installation torque	39 - 51 Nm (29 - 38 ft-lbs)
Recommended degree of fluid contamination	Nominal value max. 10 µm (NAS 8) ISO 4406 19/17/14
MTTFd	150 years (see 18350-51)
Cavity	CA-08A-2N (see 18325-70)
Other technical data	See data sheet 18350-50
Electrical	
Type of voltage	DC voltage
Coil type	D36
Supply voltage	See data sheet 18325-90
Voltage tolerance against ambient temperature	See characteristic curve
Power consumption	20 W
Type of protection	See data sheet 18325-90
Note: Coils must be ordered separately	

TAB. 1 Manual override options (X)

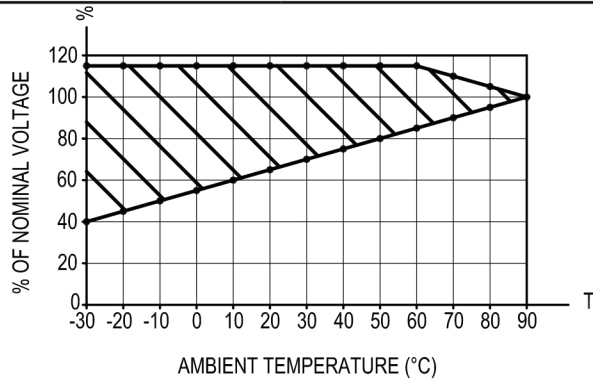
Seal and prot. cap. (W)	Manual override options (X)					
	A	B	C	D	E	F
O	K=27 K=28	K=28	K=28	K=27	K=27	K=27
V	K=27 K=28	K=28	K=28	K=27	K=27	K=27
P	/	K=28	K=28	K=27	/	/
T	/	K=28	K=28	K=27	/	/

Characteristic curves

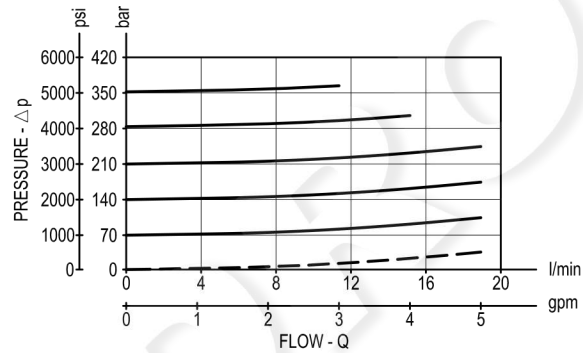
VSP-19-VEI-16-08A



VEI-16-08A all Versions - Admissible supply voltage Vs. Ambient temperature at 100% duty cycle



VSN-08A



Ordering code

OL	K	Y	Z	X	W	00
-----------	----------	----------	----------	----------	----------	-----------

Standard integrated circuit
solenoid operated ventable
relief valve

Configuration **K = 27**

Configuration **K = 28**

Ports size | **P - T**

= 04 | G 3/4

= 05 | G 1

Cartridge VSBN-08A setting
see page 2

Solenoid cartridge seals and accessories options

0 = With buna seal

V = With Viton seal

P = With buna seal and protective cap for override version **B, C and D**

T = With Viton seal and protective cap for override version **B, C and D**

Solenoid cartridge options

A = Standard

B = Push style manual override

C = Push and twist style manual override

D = Knob style manual override

E = Pull style manual override

F = Hand operated pull style manual override

Note: for solutions availability (K-X-W combinations),
please refer to TAB.1 on page 2.