

Part number:

**HYDROMA**

HYDRAULICKÉ SYSTÉMY

**HIDROMA  
SISTEMS**

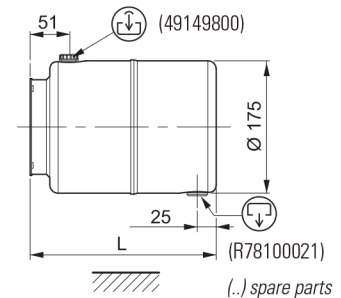
UKŁADY HYDRAULICZNE

**HYDROMA**

ГИДРАВЛИЧЕСКИЕ СИСТЕМЫ

\* \*\* \* (H) \*\* \* - Tanks Ø 175 - Sheet steel, capacity 5-6-8 liters - Horizontal mounting (black painted)

Capacity	Features	Mounting	Variant (1)	L (mm)	Capacity (liters)			Tank (with plugs)	Tank fixing kit (screws and O-Ring)
					Nominal	Full	Usable		
05				246	5	4.7	4.5	90310003	17010086
06	B	(H)	00	308	6	6	5.9	90310004	
08				370	8	8	7.3	90310005	



(1) Variant - OMIT if without tank but with tubes kit

Other variants

Variant	Tank	Variant	Tank	Variant	Tank	Variant	Tank
05	90310003	05	90310149	05	90310134	05	90310176
06 B (H) 01		06 B (H) 02		06 B (H) 03	90310062	06 B (H) 04	
08		08		08	90310069	08	

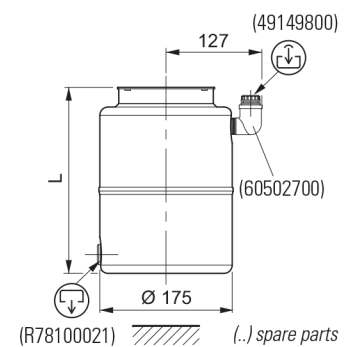
  

--	--	--	--

IV  
V

\* \*\* \* (V) \*\* \* - Tanks Ø 175 - Sheet steel, capacity 5-6-8 liters - Vertical mounting (black painted)

Capacity	Features	Mounting	Variant (1)	L (mm)	Capacity (liters)			Tank (with plugs)	Tank fixing kit (screws and O-Ring)
					Nominal	Full	Usable		
05				246	5	4.3	4.1	90310012	17010086
06	B	(V)	00	308	6	5.8	5.5	90310013	
08				370	8	7.5	7.2	90310015	



(1) Variant - OMIT if without tank but with tubes kit

Other variants

Variant	Tank	Variant	Tank	Variant	Tank	Variant	Tank