

Part number:

**HYDROMA**

HYDRAULICKÉ SYSTÉMY

**HIDROMA  
SISTEMS**

UKŁADY HYDRAULICZNE

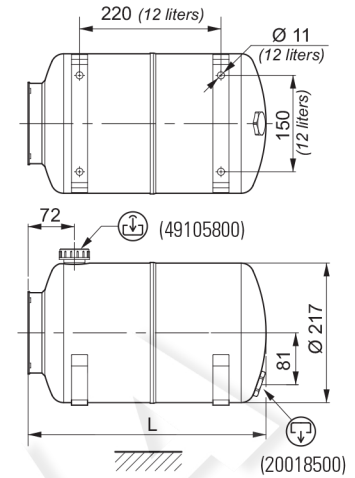
**HYDROMA**

ГИДРАВЛИЧЕСКИЕ СИСТЕМЫ

\* \*\* \* (H) \*\* \* - Tanks Ø 217 - Sheet steel, capacity 10-12 liters - Horizontal mounting (black painted)

Capacity	Features	Mounting	Variant (1)	L (mm)	Capacity (liters)			Tank (with plugs)	Tank fixing kit (screws and O-Ring)
					Nominal	Full	Usable		
10	D (H) 00			273	10	8	7.6	90310006	17010086
12				370	12	12	11	90310058	

(1) Variant - OMIT if without tank but with tubes kit



Other variants

(..) spare parts

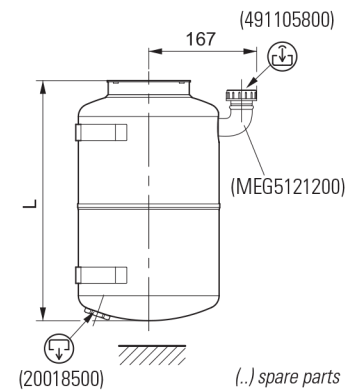
Variant	Tank	Variant	Tank	Variant	Tank	Variant	Tank

IV  
V

\* \*\* \* (V) \*\* \* - Tanks Ø 217 - Sheet steel, capacity 10-12 liters - Vertical mounting (black painted)

Capacity	Features	Mounting	Variant (1)	L (mm)	Capacity (liters)			Tank (with plugs)	Tank fixing kit (screws and O-Ring)
					Nominal	Full	Usable		
10	D (V) 00			273	10	7	6.8	90310029	17010086
12				370	12	10.3	10.1	90310100	

(1) Variant - OMIT if without tank but with tubes kit



Other variants

(..) spare parts

Variant	Tank	Variant	Tank	Variant	Tank	Variant	Tank