

Part number:

HYDROMA

HYDRAULICKÉ SYSTÉMY

**HIDROMA
SYSTEMS**

UKŁADY HYDRAULICZNE

HYDROMA

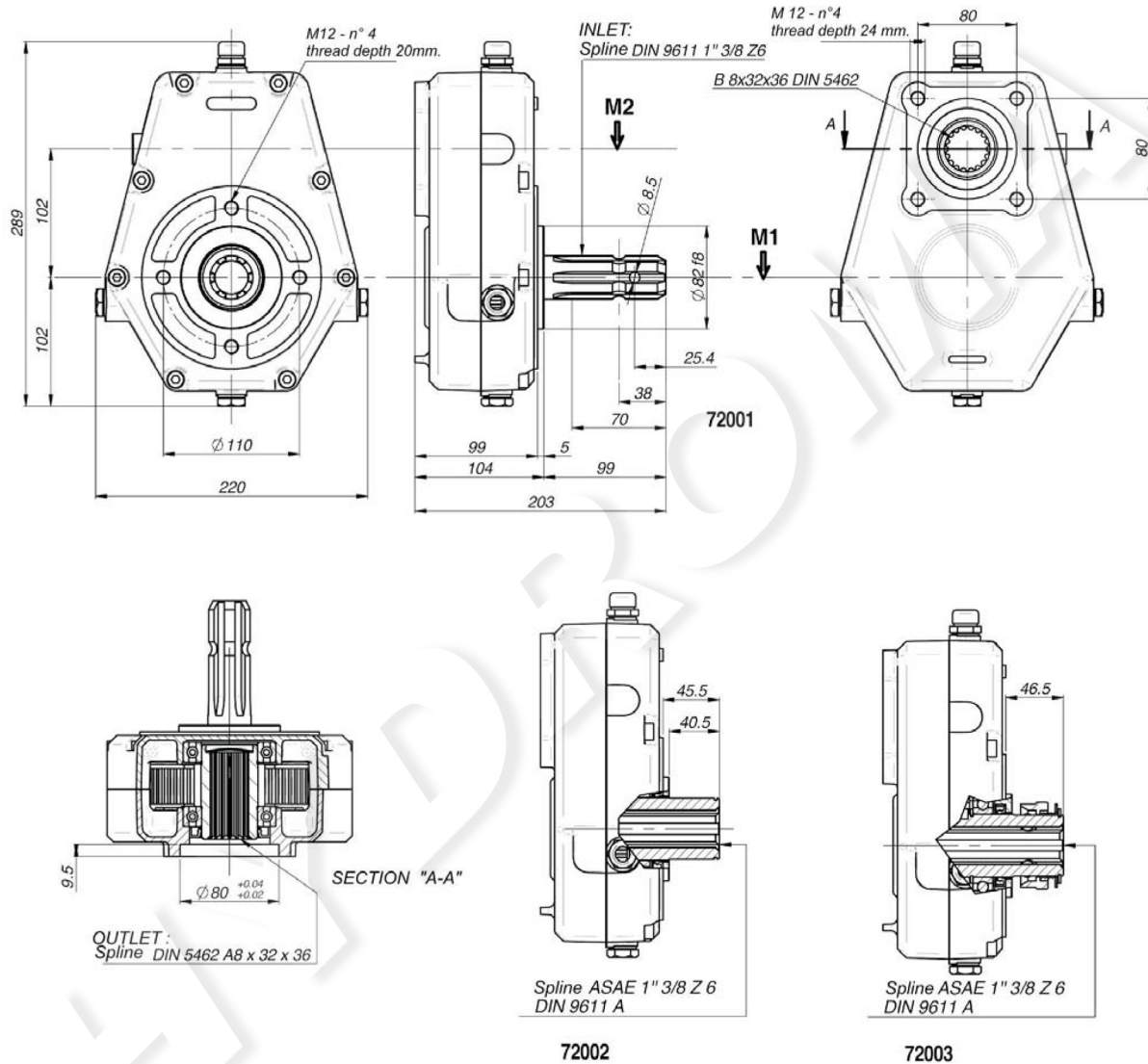
ГИДРАВЛИЧЕСКИЕ СИСТЕМЫ

Speed-up and Splitter Gearboxes

Speed-up Gearboxes Series 72000 standard

37 kW - Cast iron housing - Outlet pump flange ISO 14 (DIN 5462)

INSTALLATION DRAWING



Housing oil capacity : lt 0,520

INPUT TORQUE M1 da Nm	OUTPUT TORQUE M2 da Nm	INPUT SPEED N1 n/min.	OUTPUT SPEED N2 n/min.	RATIO N2 / N1	POWER kW	MASS kg
66	66	540	540	1	37	14,5
66	44	540	810	1,5	37	14,5
66	33	540	1080	2	37	14,5
66	26,4	540	1408	2,5	37	14,5
66	22	540	1620	3	37	14,5
66	18	540	1836	3,5	37	14,5
66	16,6	540	2057	3,8	37	14,5