

Part number:

HYDROMA

HYDRAULICKÉ SYSTÉMY

**HIDROMA
SYSTEMS**

UKŁADY HYDRAULICZNE

HYDROMA

ГИДРАВЛИЧЕСКИЕ СИСТЕМЫ

CBF-FA

AIR FILTERS

DESCRIPTION

Air breather, clamp mounting

MATERIALS

Housing: Painted steel (black)

Clamp: Stainless steel

SPARE FILTER ELEMENT

VD - Velvet mesh

Filtration degree (in air) 10µm.

FD – Fibreglass (on request only)

Filtration degree (in air) 2,5µm.

CD – Impregnated cellulose (on request only)

Filtration degree (in air) 10µm.

COMPATIBILY (ISO 2943)

Full with fluids HH-HL-HM-HV-HTG (according to ISO 6743/4).

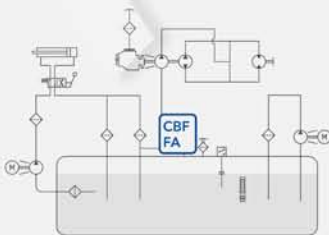
For fluids different than the above mentioned, please contact our Customer Service.

WORKING TEMPERATURE

From -25°C to +110°C



HYDRAULIC DIAGRAM



Is this datasheet the latest release? Please check on our website.

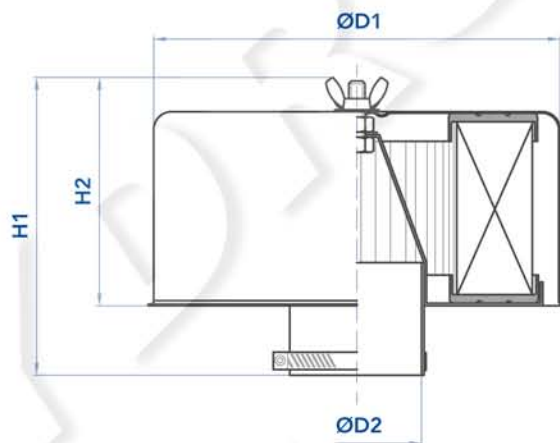
CBF-FA

AIR FILTERS

ORDERING AND OPTION CHART

C	B	F	COMPLETE FILTER FAMILY			FILTER ELEMENT FAMILY	E	B	F
			SIZE & LENGTH	11	21	SIZE & LENGTH			
			C PORT TYPE						
			C = clamp	C	C				
			PORT SIZE						
			40 = hole ø 40 mm	40	-				
			52 = hole ø 52 mm	52	-				
			70 = hole ø 70 mm	-	70				
			76 = hole ø 76 mm	-	76				
			FILTER MEDIA			FILTER MEDIA			
			VD = velvet mesh	VD	VD				
			FD = fibreglass	FD	FD				
			CD = impregnated cellulose	CD	CD				

INSTALLATION DRAWING



DIMENSIONS

	flow rate (l/min)	D1	D2	H1	H2	Kg
CBF11C40VD FA 6830.A	1.000	122	40	120	92	0,60
CBF11C52VD FA 6830.B	1.500	122	52	120	92	0,60
CBF21C70VD FA 6830.C	3.000	220	70	145	125	1,60
CBF21C76VD FA 6830.D	4.000	220	76	145	125	1,60