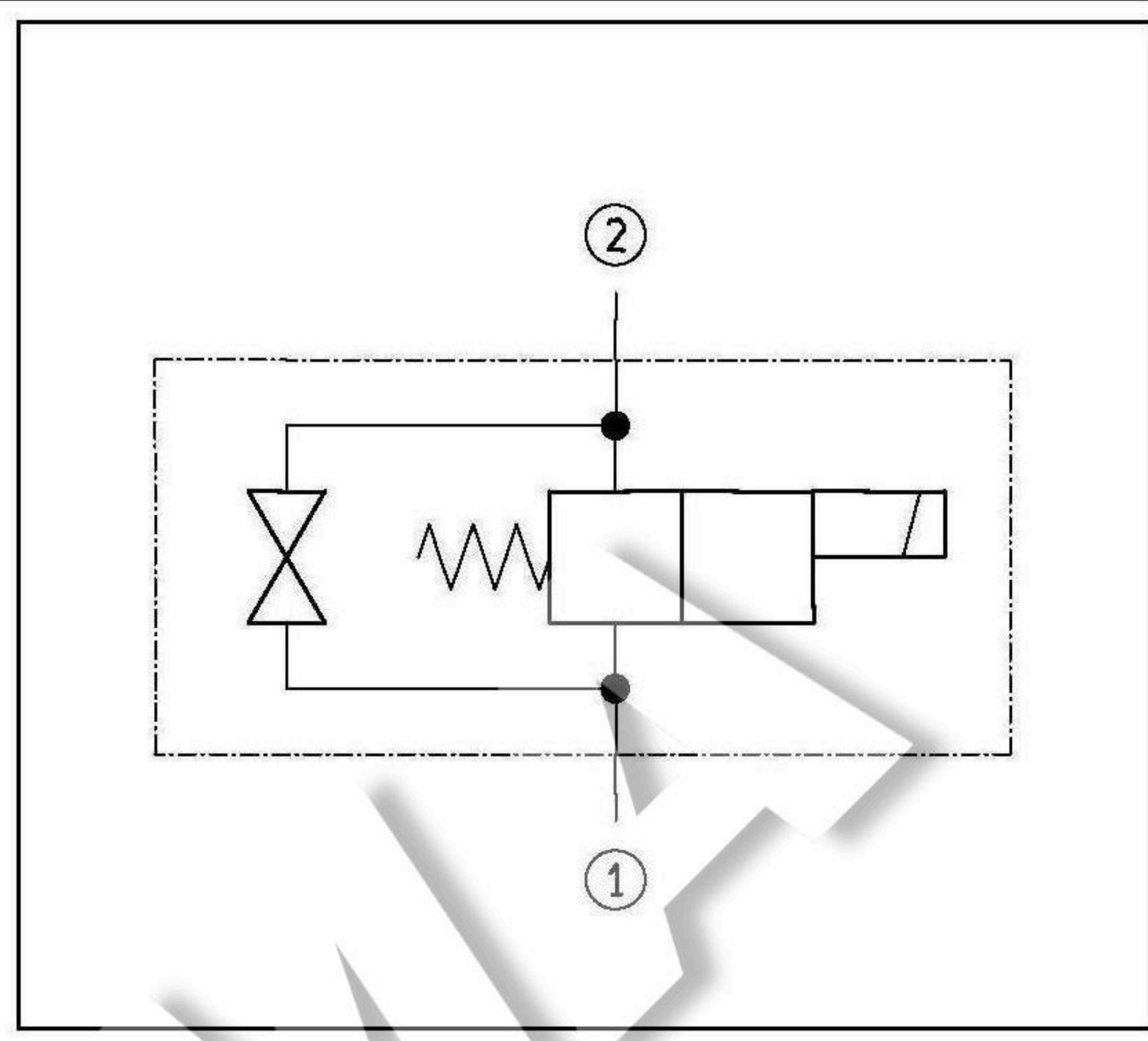
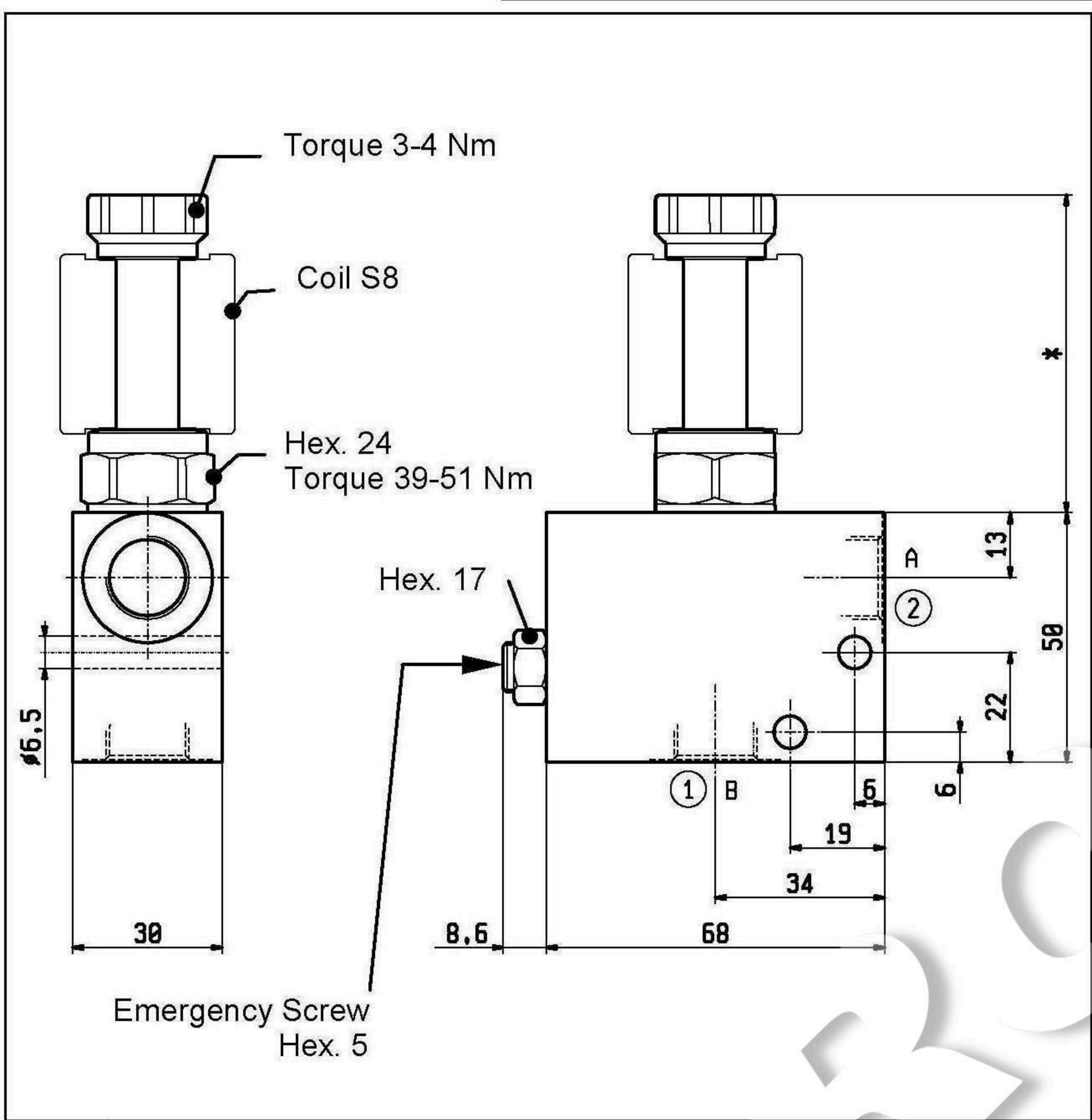


**SOLENOID OPERATED VALVES
2-WAY SIZE 06 SERIES 8A/8I
CARTRIDGE STYLE IN EMERGENCY MANIFOLD**

VED-CE-8I-06 VEI-CE-8A/8I-06 OE - J - K - 18 - Y - Z



TECHNICAL DATA

Maximum Operating Pressure 250 bar

* See cartridge data sheets for curves, features and functional details.

Emergency manifolds in high strength aluminum. To order manifold only see page 6.01.030.

For working pressures up to 350 bar and for fatigue applications with any working pressure, steel manifolds are available upon request. To order steel manifold only see page 6.01.040.

IMPORTANT: Ordering code of cartridge in emergency manifold models is the same of cartridge only models except for first couple of digits (OE instead of OD) and sixth couple of digits (Z - PORT SIZE instead of 00).

EXAMPLE:
OD.15.05.18.47.00 ⇒ ⇒ OE.15.05.18.47 - Z

J	Same as cartridge code
K	Same as cartridge code
Y	Same as cartridge code

**CARTRIDGES TO BE INSERTED
(OD - J - K - 18 - Y - 00)**

VED	VEI
OD.11.01.18. - Y - 00	OD.15.01.18. - Y - 00
OD.11.02.18. - Y - 00	OD.15.02.18. - Y - 00
OD.11.03.18. - Y - 00	OD.15.03.18. - Y - 00
OD.11.04.18. - Y - 00	OD.15.04.18. - Y - 00
OD.11.31.18. - Y - 00	OD.15.05.18. - Y - 00
	OD.15.06.18. - Y - 00
	OD.15.09.18. - Y - 00
	OD.15.10.18. - Y - 00
	OD.15.31.18. - Y - 00
	OD.15.32.18. - Y - 00

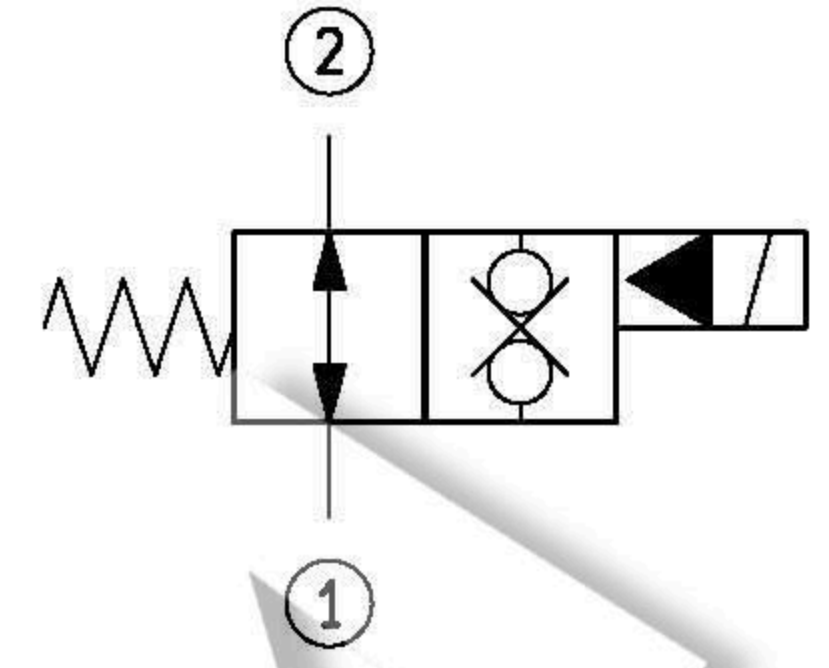
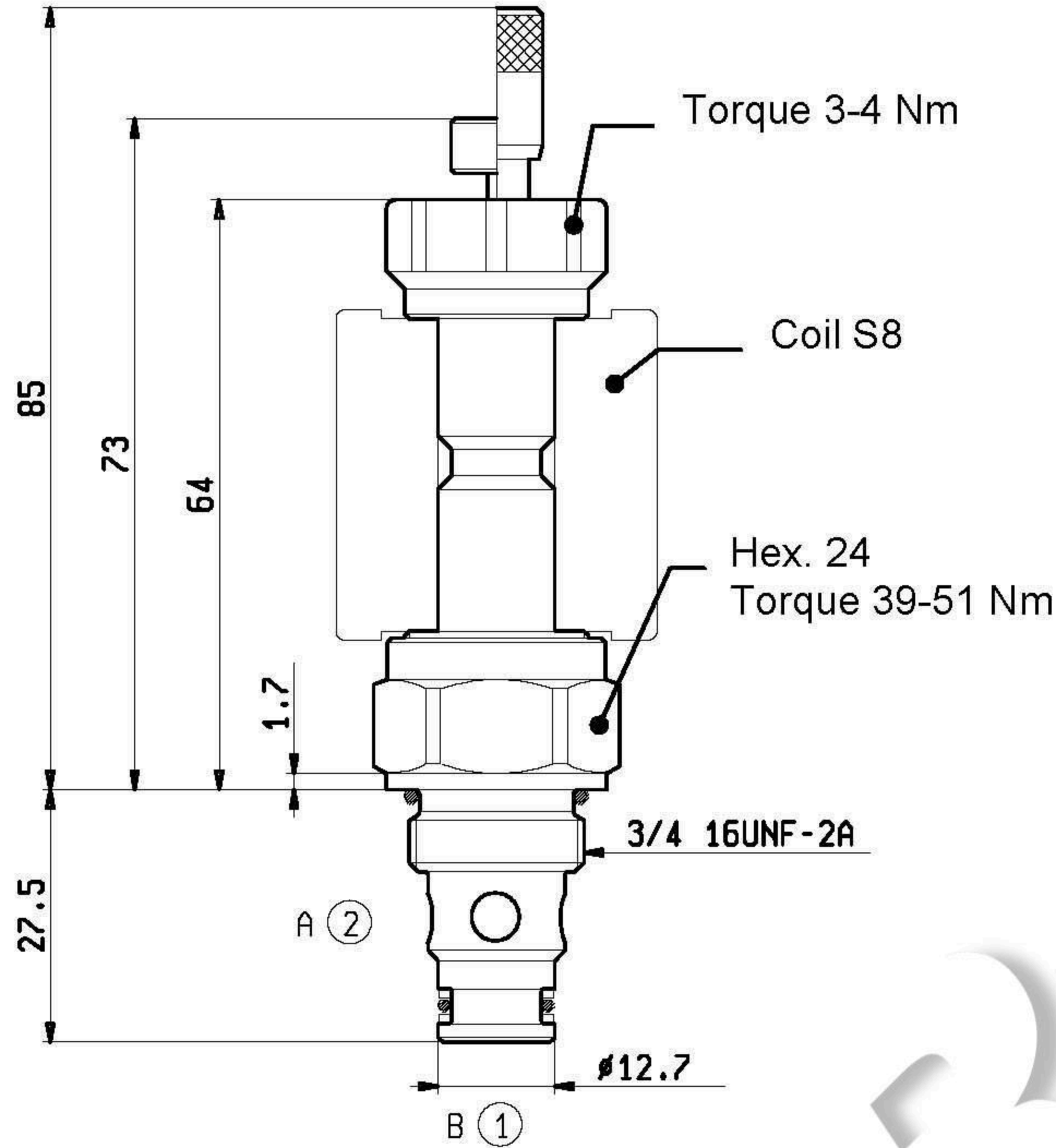
Z	PORT SIZE		
	02		G 3/8
09		G 1/4	

**SOLENOID OPERATED VALVES
POPPET 2-WAY DOUBLE LOCK NORMALLY OPEN
CARTRIDGE STYLE - HIGH PRESSURE**

VEI-8A-2T-06-NA-S-NSA

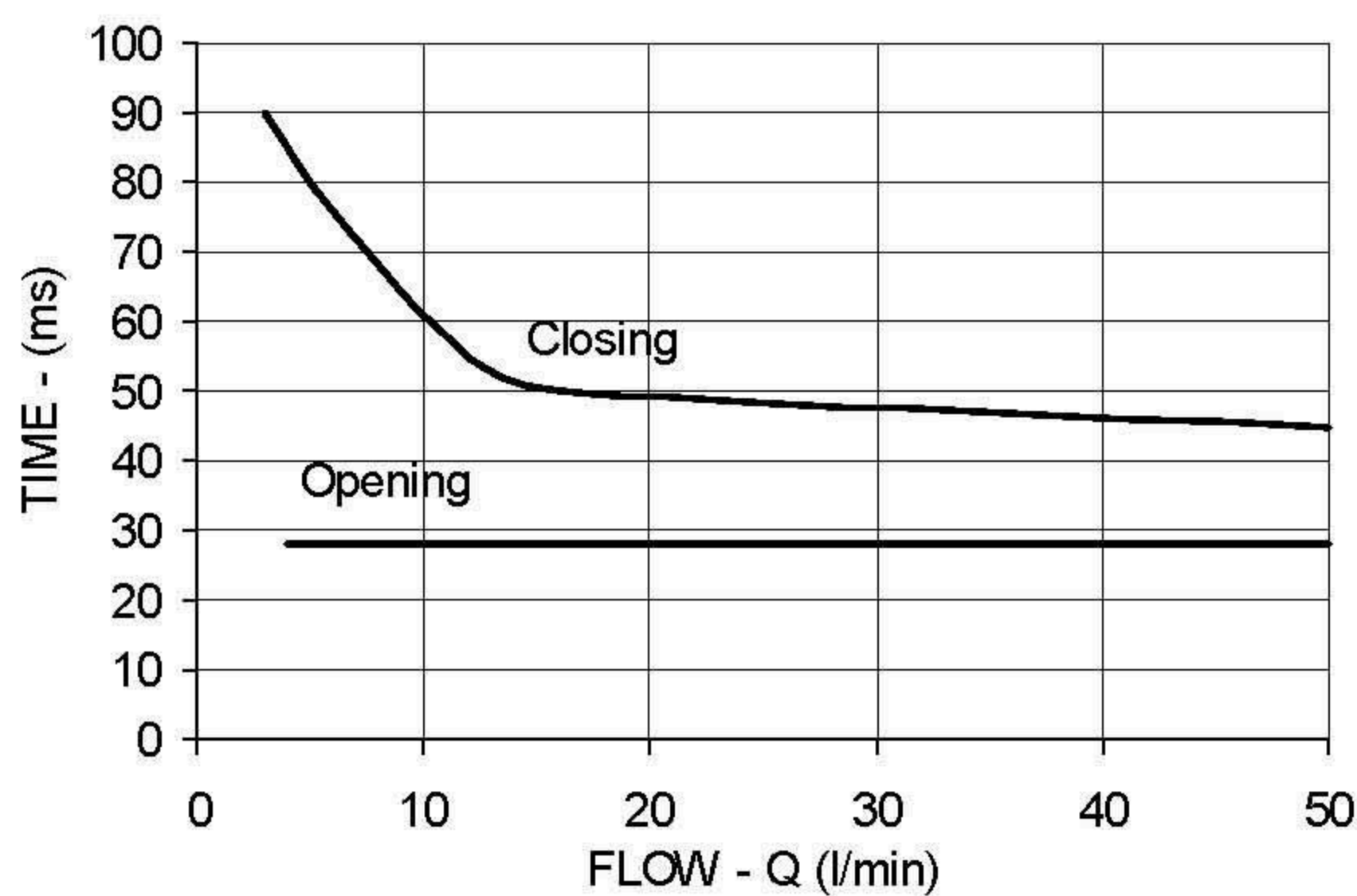
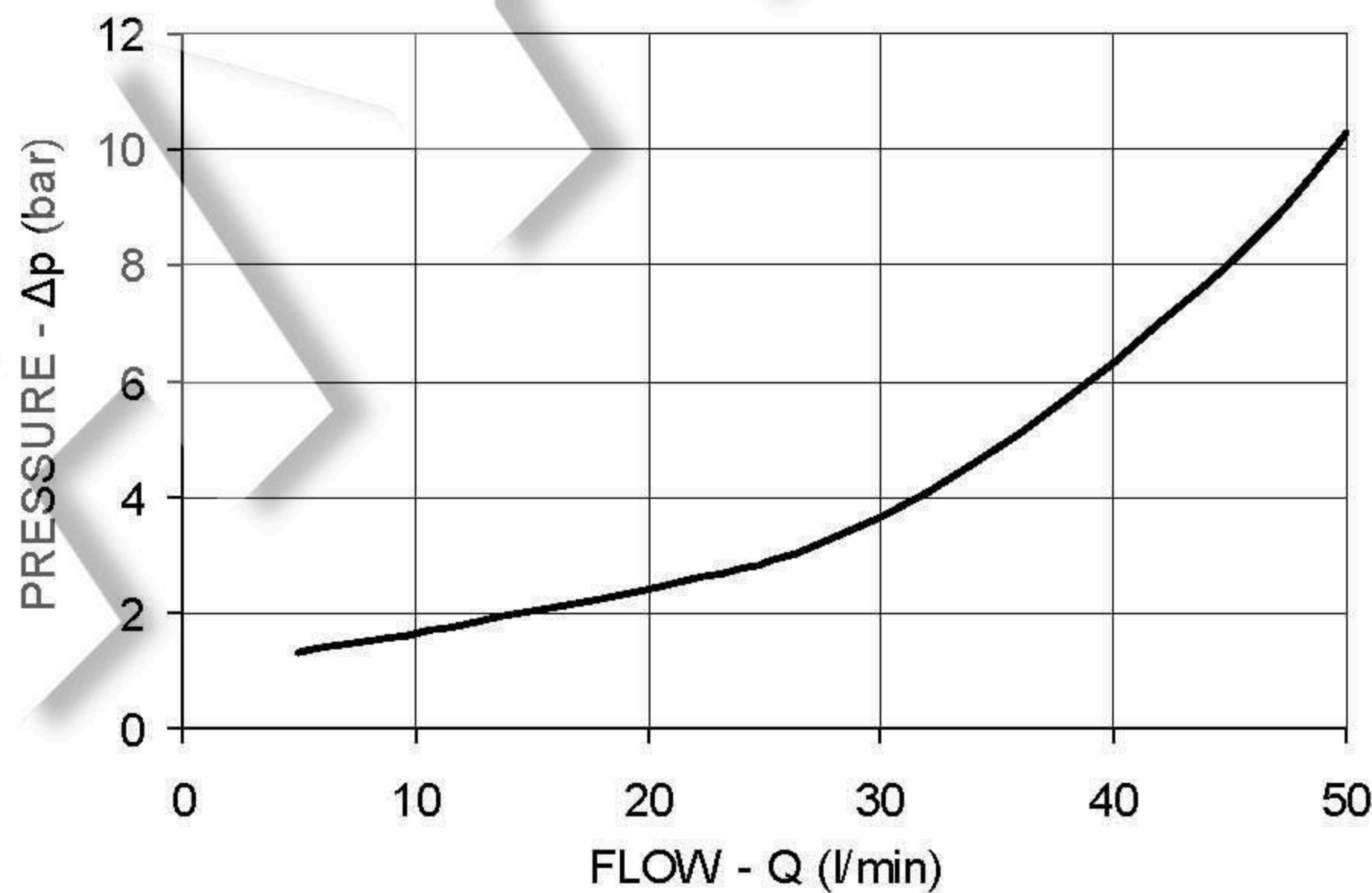
OD.15.32.18 - Y - 00

PATENT PENDING



TECHNICAL DATA

Maximum Operating Pressure	450	bar
Fatigue Cycle Life at 350 bar and 0.5 Hz (1 s ON - 1 s OFF)	10 million	cycles
Rated Flow	40	l/min
Cavity - Tooling (018-E)	page 7.01.100	
Weight	0.130	kg
Fluids - Temperatures	page 7.01.040	
Testing Conditions - Seals	page 7.01.040	
Internal Leakage	page 7.01.040	
Filtration : 25 μ m nominal or better	page 7.01.050	
Minimum Voltage Required	90% of nominal	
Coils must be ordered separately	page 1.71.050	
Mounting Position	unrestricted	

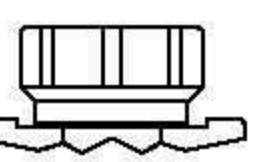


Y

ORDERING OPTIONS

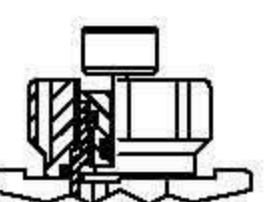
1A

Standard



1B

Push Style Manual Override



1C

Push and Twist Style Manual Override

