

Part number:

**HYDROMA**

HYDRAULICKÉ SYSTÉMY

**HIDROMA  
SISTEMS**

UKŁADY HYDRAULICZNE

**HYDROMA**

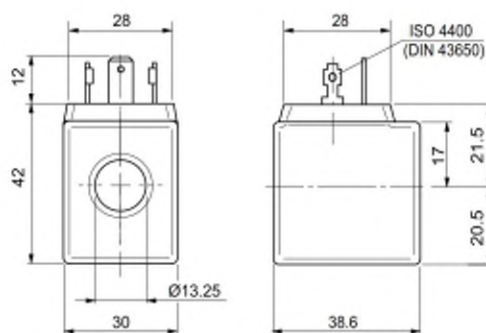
ГИДРАВЛИЧЕСКИЕ СИСТЕМЫ

# Coils

## 18W COILS

Type of protection	IP 65
Number of cycle	18000/h
Supply tolerance	±10%
Ambient	-30°C ÷ 60°C

Duty cycle	100% ED
Insulation class wire	F
Weight	0.141 kg

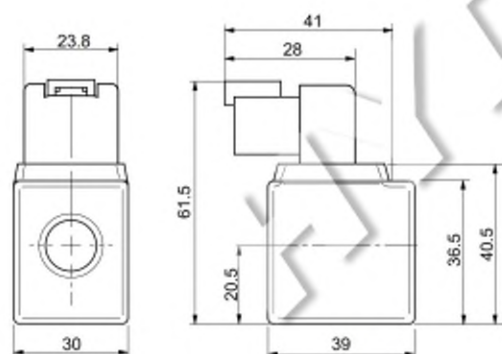


### STANDARD Hirschmann ISO 4400 DIN43650

Code	Coil Voltage	Max winding temperature (1)	Rated power	Resistance ±7% (2)	Spare code
L	12 VDC	135 °C	18 W	7.7 Ω	M14000001
M	24 VDC	135 °C	18 W	31 Ω	M14000002
N	48 VDC	135 °C	18 W	116 Ω	M14000003
Z	21.6 VDC (3)	135 °C	18 W	27 Ω	M14000009
Z	102 VDC (3)	120 °C	18 W	578 Ω	M14000006
X	205 VDC (3)	120 °C	18 W	2627 Ω	M14000007

(1) Ambient temperature 25 °C - (2) Ambient temperature 20 °C

(3) The European low voltage directive is applied to electrical equipments used at a nominal voltages between 50 and 1000 VAC or 75 and 1500 VDC. In conformity with the low directive each part of the manifold or the subplate on which the valve is mounted should be connected to a protective earth with a resistance less than 0.1 ohms.



### DEUTSCH and bidirectional integrated diode (CX variant)

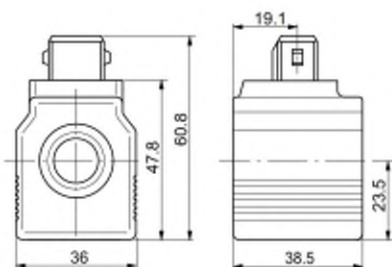
Code	Coil Voltage	Max winding temperature (1)	Rated power	Resistance ±7% (2)	Spare code
L	12 VDC	135 °C	18 W	7.7 Ω	M14760001
M	24 VDC	135 °C	18 W	31 Ω	M14760002

(1) Ambient temperature 25 °C - (2) Ambient temperature 20 °C

## 22W COILS

Type of protection	IP 65
Number of cycle	18000/h
Supply tolerance	±10%
Ambient temperature	-30°C ÷ 60°C

Duty cycle	100% ED
Insulation class wire	H
Weight	0.2 kg



### AMP Junior (AJ variant)

Code	Coil Voltage	Max winding temperature (1)	Rated power	Resistance ±7% (2)	Spare code
L	12 VDC	135 °C	22 W	6.3 Ω	M14730001
M	24 VDC	135 °C	22 W	25.6 Ω	M14730002

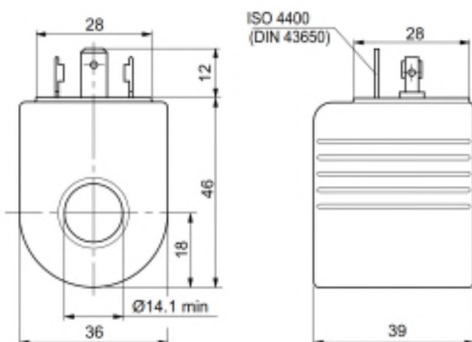
(1) Ambient temperature 25 °C - (2) Ambient temperature 20 °C

# Coils

## 27W COILS - A09

Type of protection	IP 65
Number of cycle	18000/h
Supply tolerance	±10%
Ambient temperature	-30°C ÷ 60°C

Duty cycle	100% ED
Insulation class wire	H
Weight	0.215 kg

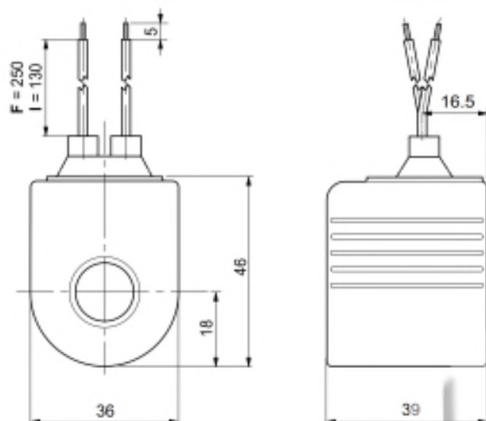


### STANDARD Hirschmann ISO 4400 DIN43650 (H connection)

Code	Coil Voltage	Max winding temperature (1)	Rated power	Resistance ±7% (2)	Spare code
L	12 VDC	123 °C	27 W	5.3 Ω	M14310001
M	24 VDC	123 °C	27 W	21.3 Ω	M14310002
N	48 VDC	123 °C	27 W	85.3 Ω	M14310003
Z	102 VDC (3)	123 °C	27 W	392 Ω	M14310008
P	110 VDC (3)	123 °C	27 W	448 Ω	M14310005
X	205 VDC (3)	123 °C	27 W	1577 Ω	M14310009

(1) Ambient temperature 25 °C - (2) Ambient temperature 20 °C

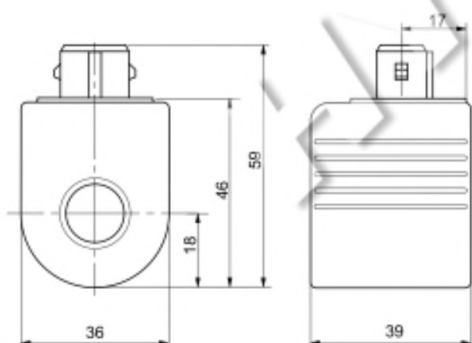
(3) The european low voltage directive is applied to electronic equipments used at a nominal voltages between 50 and 1000 VAC or 75 and 1500 VDC. In conformity with the low directive each part of the manifold or the subplate on which the valve is mounted should be connected to a protective earth with a resistance less than 0.1 ohms.



### WIRES and integrated bidirectional DIODE (F/I connection - FL/LD variant)

Code	Bobina Tensione	Wires (mm)	Max winding temperature (1)	Rated power	Resistance ±7% (2)	Spare code
L	12 VDC	F = 250	123 °C	27 W	5.3 Ω	M14070011
M	24 VDC	F = 250	123 °C	27 W	21.3 Ω	M14070012
L	12 VDC	I = 130	123 °C	27 W	5.3 Ω	M14330001
M	24 VDC	I = 130	123 °C	27 W	21.3 Ω	M14330002

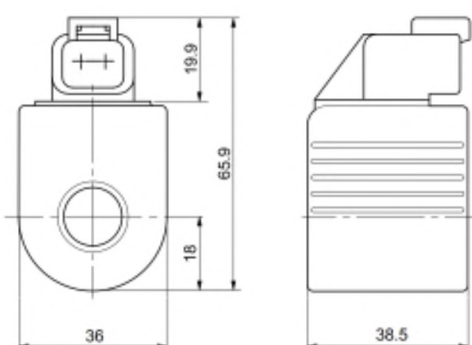
(1) Ambient temperature 25 °C - (2) Ambient temperature 20 °C



### AMP Junior (A connection - AJ variant)

Code	Coil Voltage	Max winding temperature (1)	Rated power	Resistance ±7% (2)	Spare code
L	12 VDC	123 °C	27 W	5.3 Ω	M14320001
M	24 VDC	123 °C	27 W	21.3 Ω	M14320002

(1) Ambient temperature 25 °C - (2) Ambient temperature 20 °C



### DEUTSCH + bidirectional DIODE - DT04-2P (D connection - CX variant)

Code	Coil Voltage	Max winding temperature (1)	Rated power	Resistance ±7% (2)	Spare code
L	12 VDC	123 °C	27 W	5.3 Ω	M14340001
M	24 VDC	123 °C	27 W	21.3 Ω	M14340002

(1) Ambient temperature 25 °C - (2) Ambient temperature 20 °C

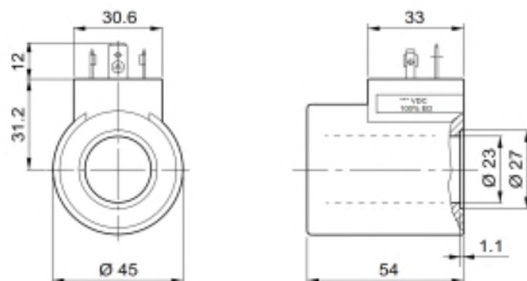
# Coils

## 30 W COILS - D15

Type of protection	IP 66
Number of cycle	18000/h
Supply tolerance	±10%
Ambient temperature	-30°C ÷ 60°C

Duty cycle	100% ED
Insulation class wire	H
Weight	0.354 kg

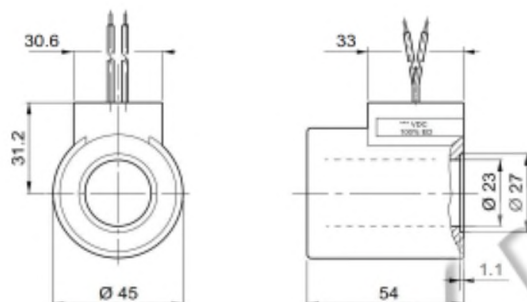
### STANDARD Hirschmann ISO 4400 DIN43650



Coil		Max winding temperature (1)	Rated power	Resistance ±7% (2)	Spare code
Code	Voltage				
L	12 VDC	110 °C	30 W	4.8 Ω	M14450002
M	24 VDC	110 °C	30 W	18.8 Ω	M14450004
V	28 VDC	110 °C	30 W	25.6 Ω	M14450005
N	48 VDC	110 °C	30 W	75.2 Ω	M14450006
Z	102 VDC (3)	110 °C	30 W	340 Ω	M14450018
P	110 VDC (3)	110 °C	30 W	387 Ω	M14450008
X	205 VDC (3)	110 °C	30 W	1378 Ω	M14450019

(1) Ambient temperature 25 °C - (2) Ambient temperature 20 °C

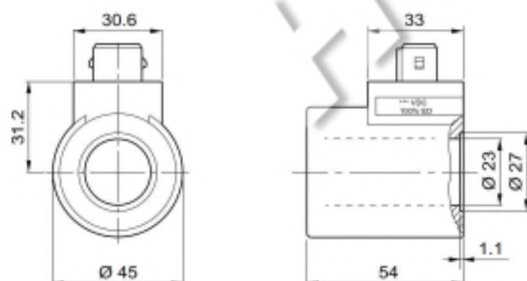
(3) The european low voltage directive is applied to electrical equipments used at a nominal voltages between 50 and 1000 VAC or 75 and 1500 VDC. In conformity with the low directive each part of the manifold or the subplate on which the valve is mounted should be connected to a protective earth with a resistance less than 0,1 ohms.



### WIRES 175 mm (SL variant)

Coil		Max winding temperature (1)	Rated power	Resistance ±7% (2)	Spare code
Code	Voltage				
L	12 VDC	110 °C	30 W	4.8 Ω	M14480002
M	24 VDC	110 °C	30 W	18.8 Ω	M14480004

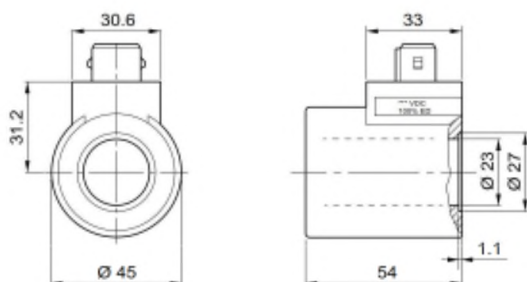
(1) Ambient temperature 25 °C - (2) Ambient temperature 20 °C



### AMP Junior (AJ variant)

Coil		Max winding temperature (1)	Rated power	Resistance ±7% (2)	Spare code
Code	Voltage				
L	12 VDC	110 °C	30 W	4.8 Ω	M14460002
M	24 VDC	110 °C	30 W	18.8 Ω	M14460004

(1) Ambient temperature 25 °C - (2) Ambient temperature 20 °C



### AMP Junior + Bidirectional DIODE (AD variant)

Coil		Max winding temperature (1)	Rated power	Resistance ±7% (2)	Spare code
Code	Voltage				
L	12 VDC	110 °C	30 W	4.8 Ω	M14470002
M	24 VDC	110 °C	30 W	18.8 Ω	M14470004

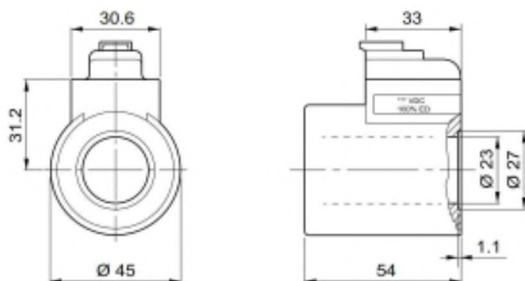
(1) Ambient temperature 25 °C - (2) Ambient temperature 20 °C

# Coils

## 30 W COILS - D15

Type of protection	IP 66
Number of cycle	18000/h
Supply tolerance	±10%
Ambient temperature	-30°C ÷ 60°C

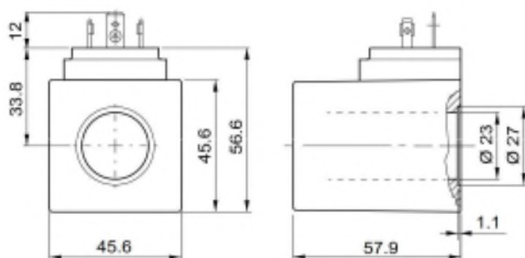
Duty cycle	100% ED
Insulation class wire	H
Weight	0.354 kg



### DEUTSCH DT04-2P (CZ variant)

Code	Coil		Max winding temperature (1)	Rated power	Resistance ±7% (2)	Spare code
	Voltage					
<b>L</b>	12 VDC		110 °C	30 W	4.8 Ω	M14490002
<b>M</b>	24 VDC		110 °C	30 W	18.8 Ω	M14490004

(1) Ambient temperature 25 °C - (2) Ambient temperature 20 °C



### PLASTIC body (RS variant) (3)

Code	Coil		Max winding temperature (1)	Rated power	Resistance ±7% (2)	Spare code
	Voltage					
<b>L</b>	12 VDC		110 °C	30 W	4.8 Ω	M14630002
<b>M</b>	24 VDC		110 °C	30 W	18.8 Ω	M14630004
<b>V</b>	28 VDC		110 °C	30 W	25.6 Ω	M14630005
<b>P</b>	110 VDC (4)		110 °C	30 W	387 Ω	M14630008

(1) Ambient temperature 25 °C - (2) Ambient temperature 20 °C

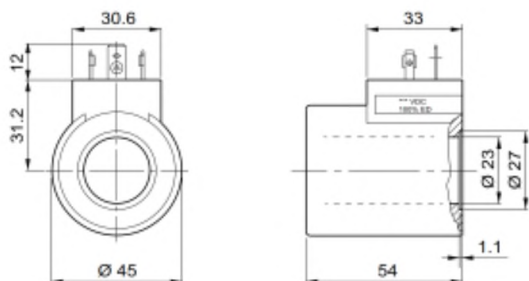
(4) The European low voltage directive is applied to electrical equipments used at a nominal voltages between 50 and 1000 VAC or 75 and 1500 VDC. In conformity with the low directive each part of the manifold or the subplate on which the valve is mounted should be connected to a protective earth with a resistance less than 0.1 ohms.

# Coils

## D15P COILS - (FOR PROPORTIONAL VALVES)

Type of protection	IP 66
Number of cycle	18000/h
Supply tolerance	±10%
Ambient temperature	-30°C ÷ 60°C

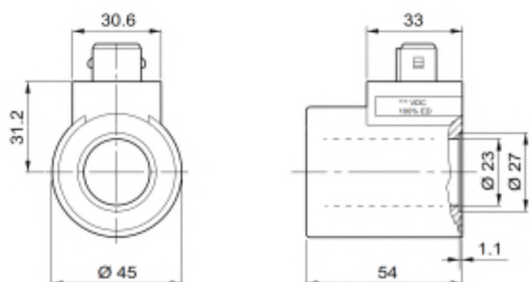
Duty cycle	100% ED
Insulation class wire	H
Weight	0.354 kg



### STANDARD Hirschmann ISO 4400 DIN43650

Coil		Max winding temperature (1)	Current	Resistance ±7% (2)
Code	Voltage			
E	9 VDC	125 °C	2.35 A	2.25 Ω
F	12 VDC	125 °C	1.76 A	4 Ω
G	24 VDC	125 °C	0.88 A	16 Ω

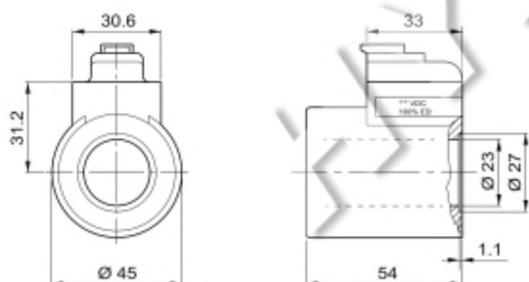
(1) Ambient temperature 25 °C - (2) Ambient temperature 20 °C



### AMP Junior (AJ variant)

Coil		Max winding temperature (1)	Current	Resistance ±7% (2)
Code	Voltage			
E	9 VDC	125 °C	2.35 A	2.25 Ω
F	12 VDC	125 °C	1.76 A	4 Ω
G	24 VDC	125 °C	0.88 A	16 Ω

(1) Ambient temperature 25 °C - (2) Ambient temperature 20 °C



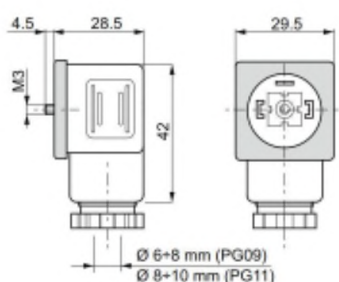
### DEUTSCH DT04-2P (CZ variant)

Coil		Max winding temperature (1)	Current	Resistance ±7% (2)
Code	Voltage			
E	9 VDC	125 °C	2.35 A	2.25 Ω
F	12 VDC	125 °C	1.76 A	4 Ω
G	24 VDC	125 °C	0.88 A	16 Ω

(1) Ambient temperature 25 °C - (2) Ambient temperature 20 °C

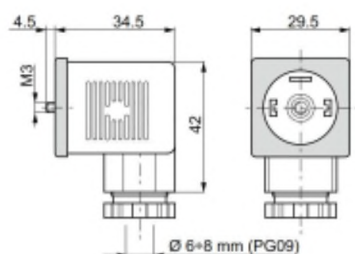
# Connectors

## CONNECTORS FOR CONTROL VALVES IN ACCORDANCE WITH DIN 43650 / ISO 4400



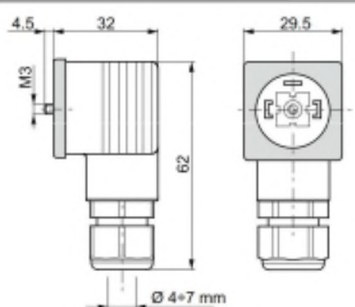
Connector	Protection level	Type	Cable gland	Code
Standard	IP65	Black color	PG09	V86 05 0002
		Grey color	PG09	V86 05 0004
		Black color	PG11	V86 05 0006
		Grey color	PG11	V86 05 0008
Lens cover with pilot light (*)	IP65	12 VAC/VDC	PG09	V86 10 0018
		24 VAC/VDC	PG09	V86 10 0012
		115 VAC/VDC	PG09	V86 10 0020
		230 VAC/VDC	PG09	V86 10 0022

Screw tightening torque: 60Ncm



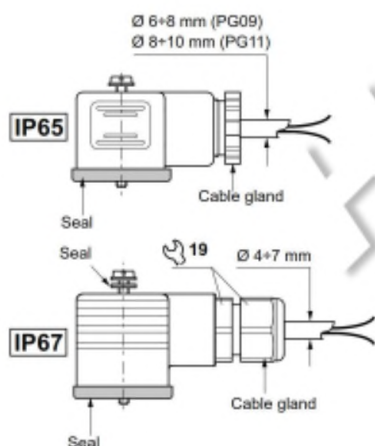
Connector	Protection level	Type	Cable gland	Code
With rectifier (*) Inlet voltage 12-230 VAC Outlet voltage 9-205 VDC	IP65	Black color	PG09	V86 20 0002
		Grey color	PG09	V86 20 0004
Lens cover with pilot light and rectifier (*) Inlet voltage 12-230 VAC Outlet voltage 9-205 VDC	IP65	12 VAC	PG09	V86 25 0018
		24 VAC	PG09	V86 25 0019
		48 VAC	PG09	V86 25 0020
		115 VAC	PG09	V86 25 0021
		230 VAC	PG09	V86 25 0022

Screw tightening torque: 60Ncm



Connector	Protection level	Type	Cable gland	Code
With protection level IP67	IP67	Black color	—	V86 28 0001
		Grey color	—	V86 28 0002

Screw tightening torque: 60Ncm



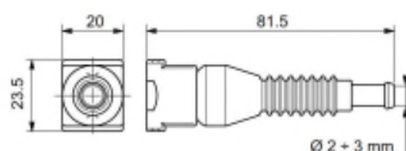
### ELECTRICAL FEATURES OF CONNECTORS

Description	IP65	IP67
AC rated voltage	Max. 250 V	Max. 250 V
DC rated voltage	Max. 300 V	Max. 300 V
Pin contact nominal current	10A	10A
Pin contact max. current	16A	16A
Max. section cable	1.5 mm <sup>2</sup>	1.5 mm <sup>2</sup>
Cable gland PG09 - M16x1,5	Ø cable 6 ÷ 8 mm	Ø cable 4 ÷ 7 mm
Cable gland PG11 - G 1/2" - M20x1,5	Ø cable 8 ÷ 10 mm	—
Protection level	IP65 EN60529	IP67 EN60529
Insulation class	VDE 0110-1/89	VDE 0110-1/89
Operating temperature	-40°C ÷ 90°C	-20°C ÷ 80°C

The degrees of protection indicate is guaranteed only if the connectors were properly mounted with his original seals.

(\*) Don't use for proportional versions

### AMP JUNIOR CONNECTORS



Connector	Type	Cable section	Pin contact max current	Code
AMP Junior connector Timer 2 contact	Black color	0,5 ÷ 1,5 mm <sup>2</sup>	10A	RKRC0808000