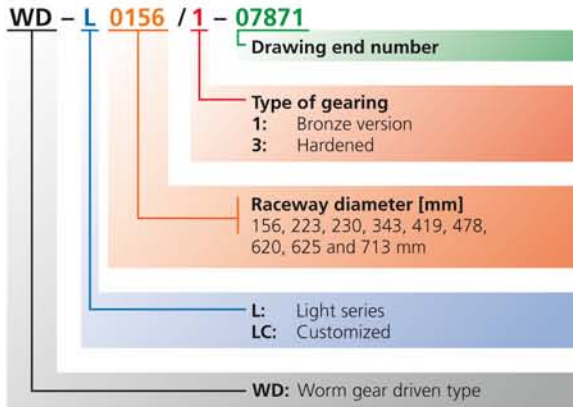


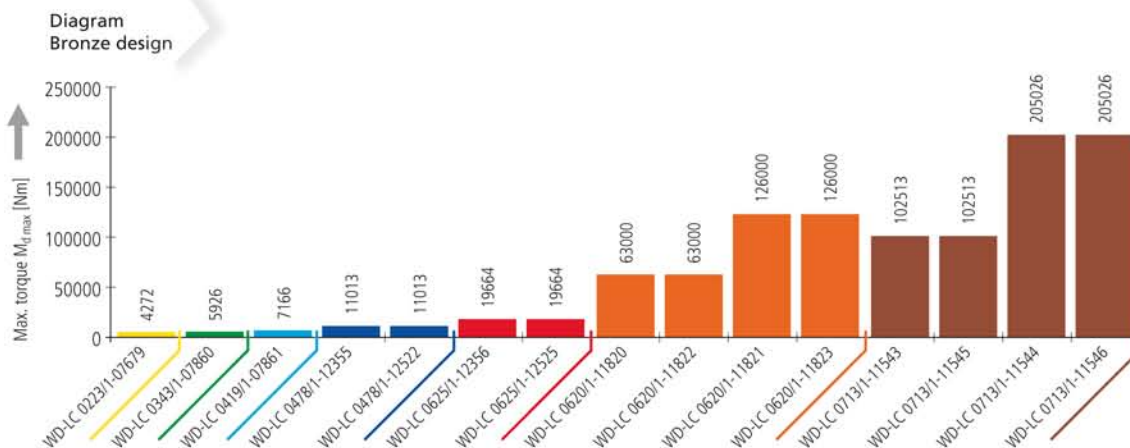
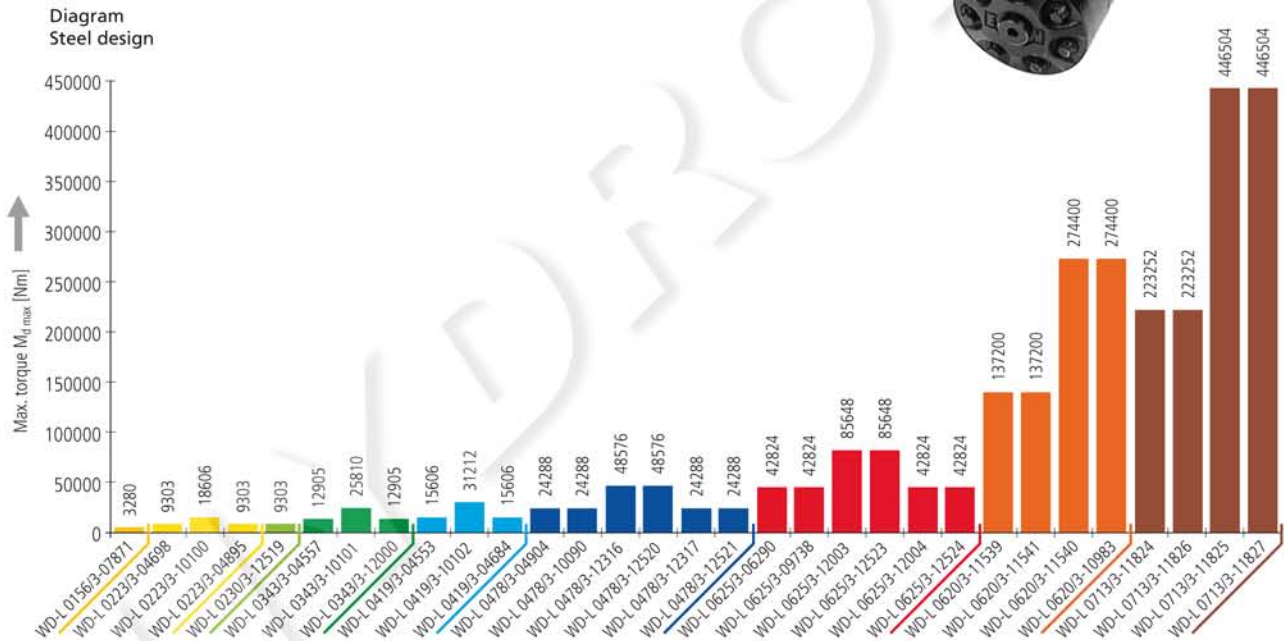
Part number:

WD-L series overview



Maximum torque $M_{d\ max}$ of the individual sizes

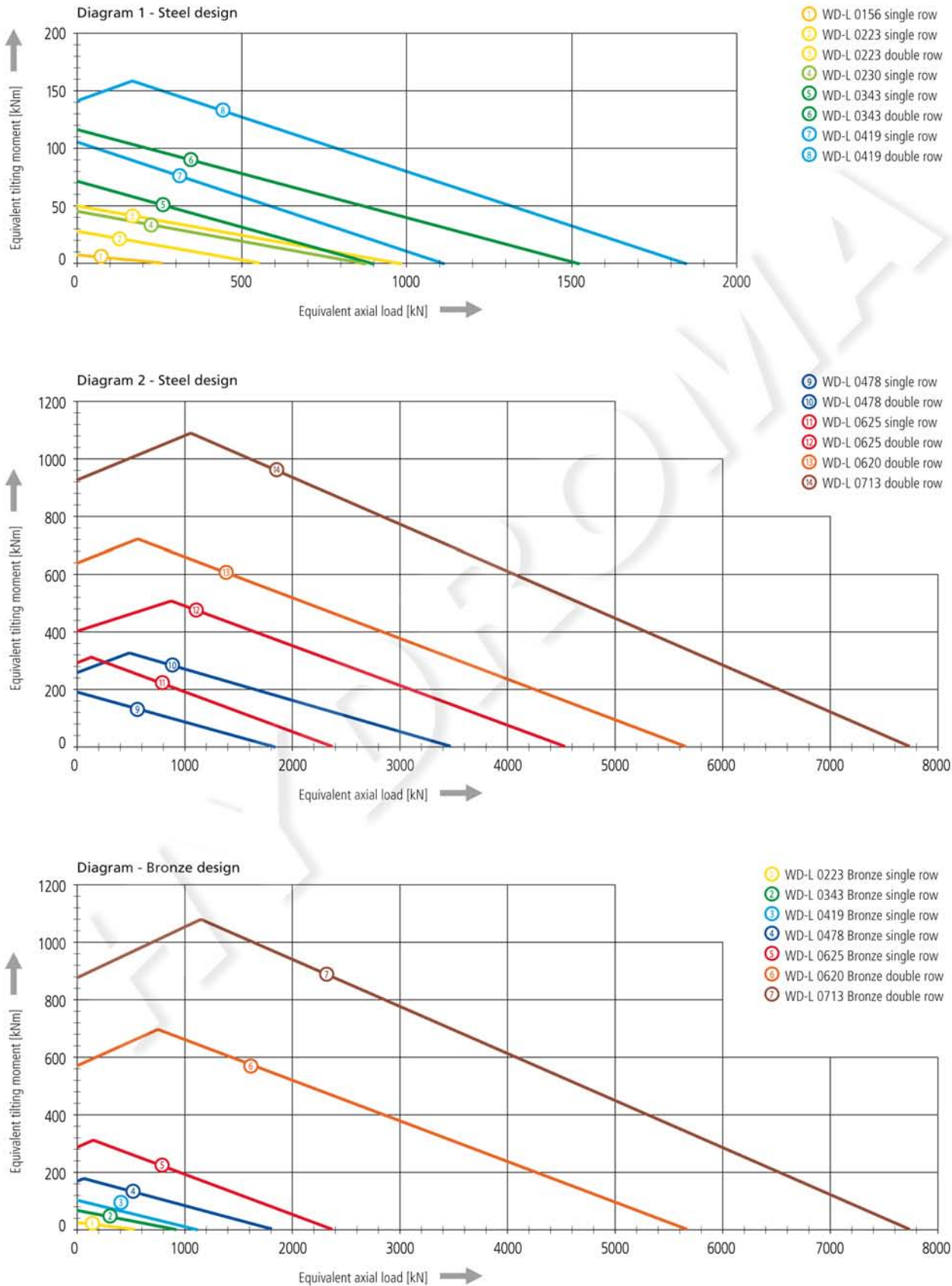
CAUTION: The duty per minute is limited.
Please always observe the explanations in the Technical Information section (from page 60).



WD-L series overview

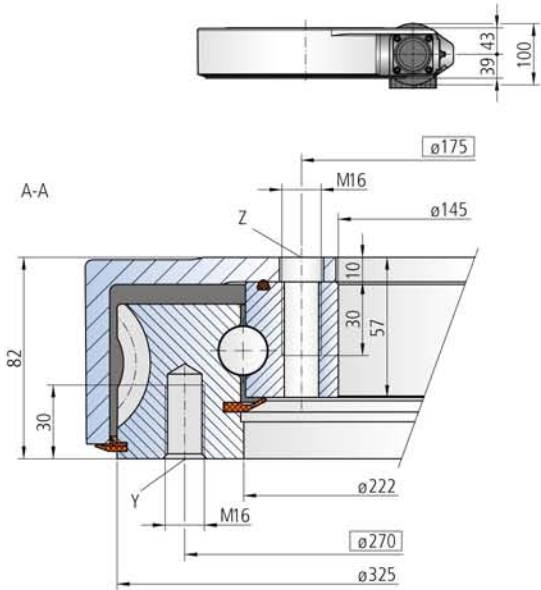
Limiting load diagrams of the individual sizes for compressive loads

Please always observe the explanations in the Technical Information section (from page 60).

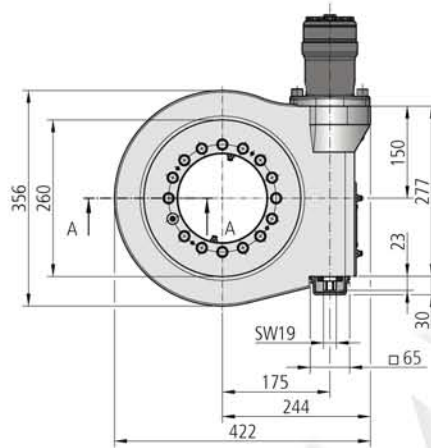


WD-L

Size WD-L 0223 / 1-row / 1 drive



The mounting structure must support the housing to at least $\varnothing 223$ and at most to $\varnothing 329$



Mounting holes

Y = 16 drill holes M16-30 deep, evenly distributed.

Z = 15 drill holes $\varnothing 18$ -10 deep / M16-30 deep, evenly spaced over 16 pitch

Lubricating ports

2 conical grease nipples on internal diameter

2 conical grease nipples on housing exterior

Slew drive supplied pre-lubricated

Drawing number WD-L 0223/3-04698

Module	m	[mm]	5
Number of threads of the worm		[-]	1
Gear ratio	i	[-]	62
Self-locking gears			No**
Max. torque $S_f = 1$	M_{d max}	[Nm]	9303
Nom. torque $S_w = 1$ at $n = 1 \text{ min}^{-1}$	M_{d nom}	[Nm]	4795
Max. holding torque* $S_{f3} = 1$ (static)	M_{h max}	[Nm]	9303
Static load rating, radial	C_{o rad}	[kN]	204
Static load rating, axial	C_{o ax}	[kN]	547
Dynamic load rating, radial	C_{rad}	[kN]	132
Dynamic load rating, axial	C_{ax}	[kN]	154
Weight, incl. 6 kg for hydraulic motor OMP (X)160		[kg]	50

* Optionally with brake

** See: Technical Information, section *Self-locking*

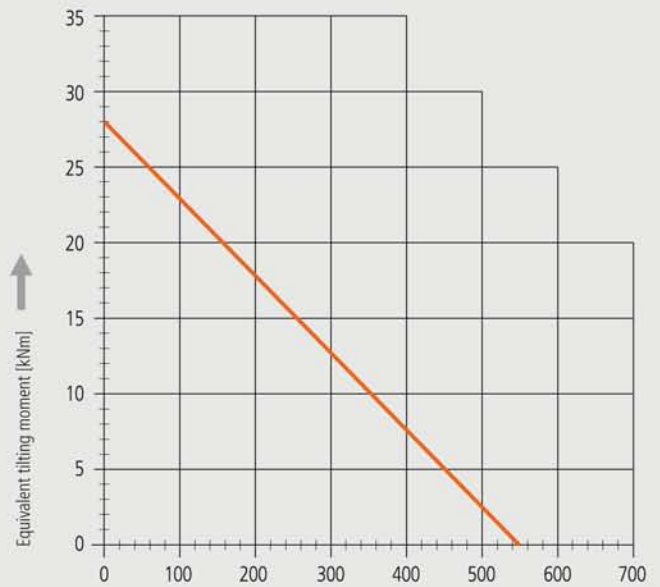
The hydraulic/electric motor is selected according to the actual requirements and customer specification.

Selection example:

Performance data with hydraulic motor OMP (X) 160

Pressure differential	Δp	[bar]	140
Oil flow	Q	[l/min]	14
Output speed	n	[min ⁻¹]	1
Max. achievable torque	M_d	[Nm]	9303

Limiting load diagram for compressive loads



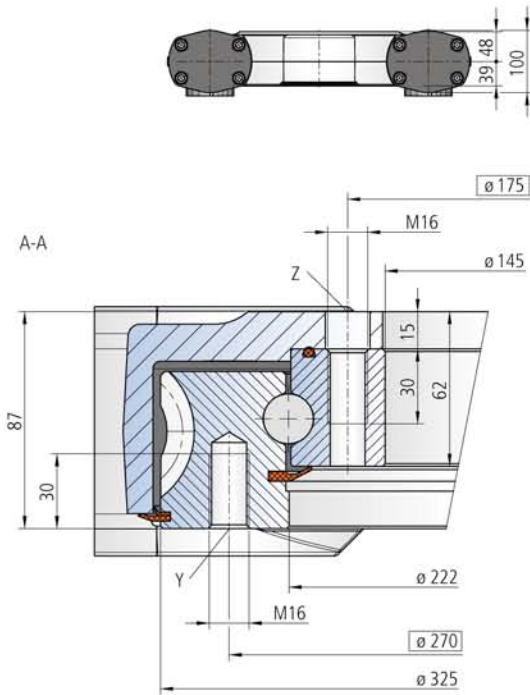
— Bolt curve $R_{p0.2}$
Bolt grade 10.9

— Raceway curve

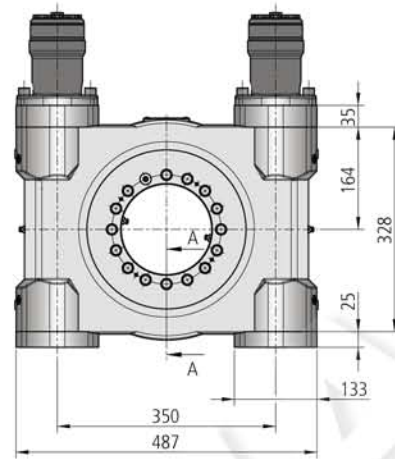
Please always observe the technical information!

WD-L series

Size WD-L 0223 / 1-row / 2 drives



The mounting structure must support the housing to at least $\varnothing 223$ and at most to $\varnothing 345$



Mounting holes

Y = 16 drill holes M16-30 deep, evenly distributed.

Z = 15 drill holes $\varnothing 18$ -15 deep / M16-30 deep, evenly spaced over 16 pitch

Lubricating ports

2 conical grease nipples on internal diameter

2 conical grease nipples on housing exterior

Slew drive supplied pre-lubricated

Drawing number WD-L 0223/3-10100

Module	m	[mm]	5
Number of threads of the worm		[-]	1
Gear ratio	i	[-]	62
Self-locking gears			No**
Max. torque $S_F = 1$	M_{d max}	[Nm]	18606
Nom. torque $S_W = 1$ at $n = 1 \text{ min}^{-1}$	M_{d nom}	[Nm]	9590
Max. holding torque* $S_{FS} = 1$ (static)	M_{h max}	[Nm]	18606
Static load rating, radial	C_{o rad}	[kN]	204
Static load rating, axial	C_{o ax}	[kN]	547
Dynamic load rating, radial	C_{rad}	[kN]	132
Dynamic load rating, axial	C_{ax}	[kN]	154
Weight, incl. 12 kg for two hydraulic motors OMP (X) 160		[kg]	93

* Optionally with brake

** See: Technical Information, section *Self-locking*

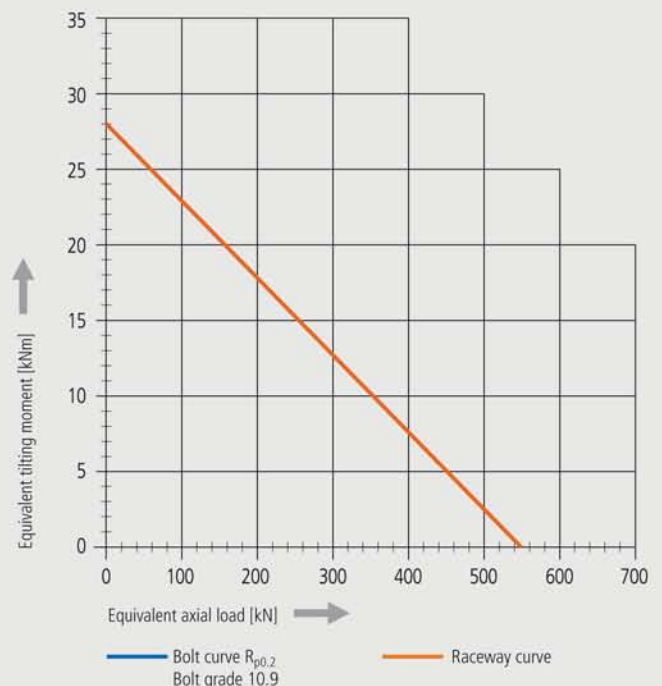
The hydraulic/electric motor is selected according to the actual requirements and customer specification.

Selection example:

Performance data with two hydraulic motors OMP (X) 160

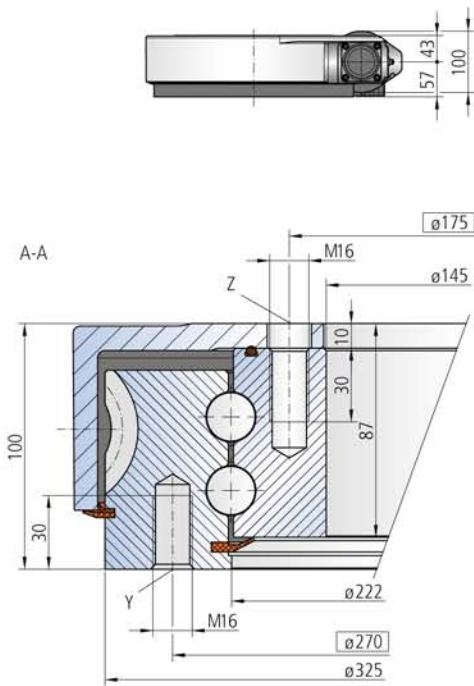
Pressure differential	Δp	[bar]	140
Oil flow	Q	[l/min]	28
Output speed	n	[min ⁻¹]	1
Max. achievable torque	M_d	[Nm]	18606

Limiting load diagram for compressive loads

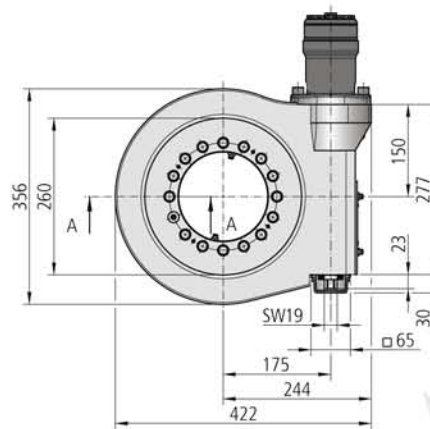


Please always observe the technical information!

Size WD-L 0223 / 2-row / 1 drive



The mounting structure must support the housing to at least $\phi 223$ and at most to $\phi 329$



Mounting holes

Y = 16 drill holes M16-30 deep, evenly distributed.

Z = 15 drill holes $\phi 18$ -10 deep / M16-30 deep, evenly spaced over 16 pitch

Lubricating ports

4 conical grease nipples on internal diameter

2 conical grease nipples on housing exterior

Slew drive supplied pre-lubricated

Drawing number WD-L 0223/3-04895

Module	m	[mm]	5
Number of threads of the worm		[-]	1
Gear ratio	i	[-]	62
Self-locking gears			No**
Max. torque $S_f = 1$	M_{d max}	[Nm]	9303
Nom. torque $S_w = 1$ at $n = 1 \text{ min}^{-1}$	M_{d nom}	[Nm]	4795
Max. holding torque* $S_{f3} = 1$ (static)	M_{h max}	[Nm]	9303
Static load rating, radial	C_{o rad}	[kN]	367
Static load rating, axial	C_{o ax}	[kN]	984
Dynamic load rating, radial	C_{rad}	[kN]	215
Dynamic load rating, axial	C_{ax}	[kN]	250
Weight, incl. 6 kg for hydraulic motor OMP (X) 160		[kg]	60

* Optionally with brake

** See: Technical Information, section *Self-locking*

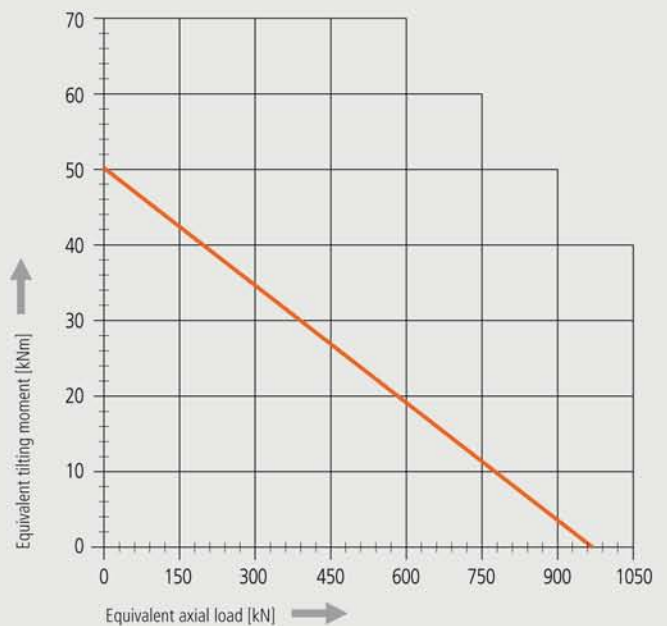
The hydraulic/electric motor is selected according to the actual requirements and customer specification.

Selection example:

Performance data with hydraulic motor OMP (X) 160

Pressure differential	Δp	[bar]	140
Oil flow	Q	[l/min]	14
Output speed	n	[min ⁻¹]	1
Max. achievable torque	M_d	[Nm]	9303

Limiting load diagram for compressive loads



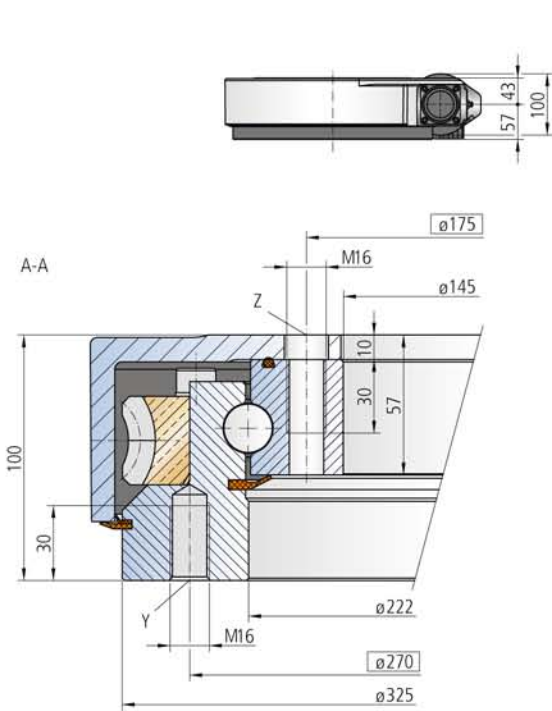
— Bolt curve $R_{p0.2}$
Bolt grade 10.9

— Raceway curve

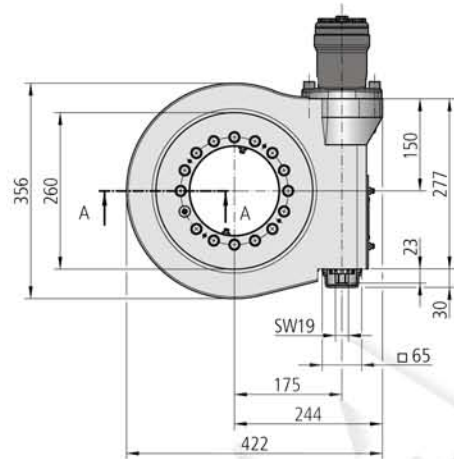
Please always observe the technical information!

WD-L series

Size WD-LC 0223 / 1-row / 1 drive - Bronze special design



The mounting structure must support the housing to at least $\varnothing 223$ and at most to $\varnothing 329$



Mounting holes

Y = 16 drill holes M16-30 deep, evenly distributed

Z = 15 drill holes $\varnothing 18$ -10 deep / M16-30 deep, evenly spaced over 16 pitch

Lubricating ports

2 conical grease nipples on internal diameter

2 conical grease nipples on housing exterior

Slew drive supplied pre-lubricated

Drawing number WD-LC 0223/1-07679			
Module	m	[mm]	5
Number of threads of the worm		[-]	1
Gear ratio	i	[-]	62
Self-locking gears			No**
Max. torque $S_F = 1$	M_{d max}	[Nm]	4272
Nom. torque $S_W = 1$ at $n = 1 \text{ min}^{-1}$	M_{d nom}	[Nm]	4272
Max. holding torque* $S_{FS} = 1$ (static)	M_{h max}	[Nm]	4272
Static load rating, radial	C_{o rad}	[kN]	204
Static load rating, axial	C_{o ax}	[kN]	547
Dynamic load rating, radial	C_{rad}	[kN]	132
Dynamic load rating, axial	C_{ax}	[kN]	154
Weight, incl. 6 kg for hydraulic motor OMP (X) 160		[kg]	58

* Optionally with brake

** See: Technical Information, section *Self-locking*

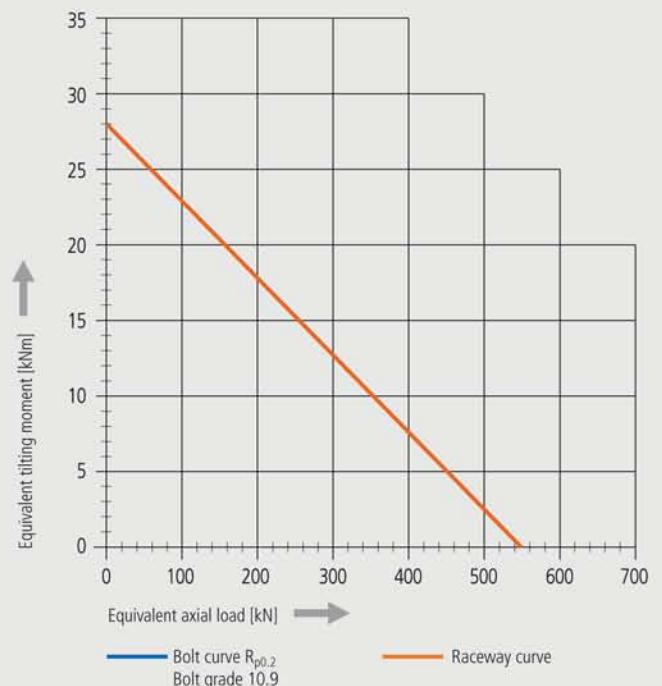
The hydraulic/electric motor is selected according to the actual requirements and customer specification.

Selection example:

Performance data with hydraulic motor OMP (X) 160

Pressure differential	Δp	[bar]	59
Oil flow	Q	[l/min]	10
Output speed	n	[min ⁻¹]	1
Max. achievable torque	M_d	[Nm]	4272

Limiting load diagram for compressive loads



Please always observe the technical information!