

Part number:

HYDROMA

HYDRAULICKÉ SYSTÉMY

**HIDROMA
SISTEMS**

UKŁADY HYDRAULICZNE

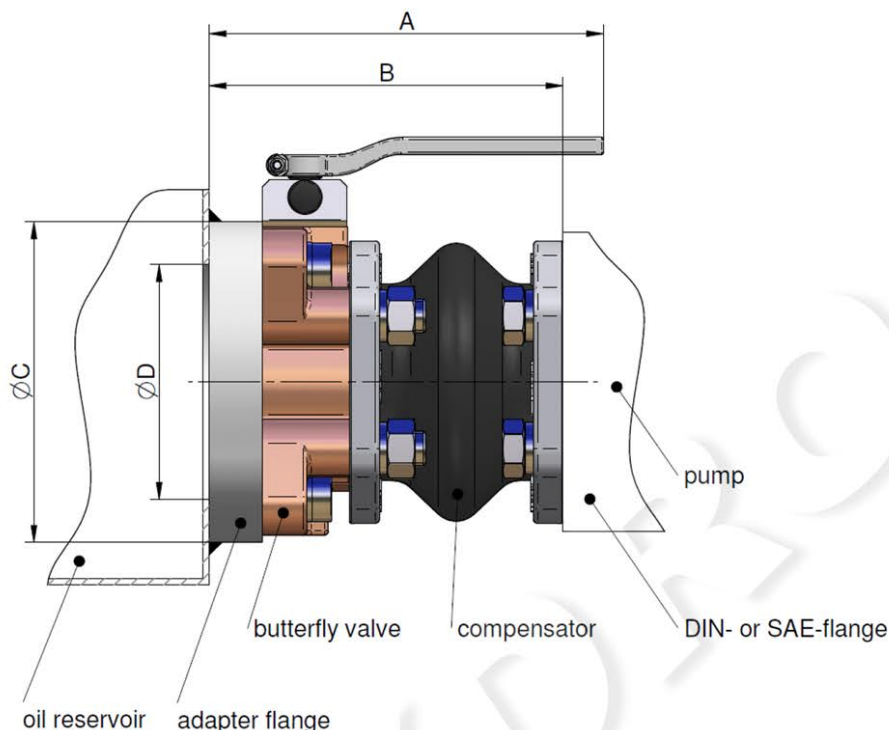
HYDROMA

ГИДРАВЛИЧЕСКИЕ СИСТЕМЫ

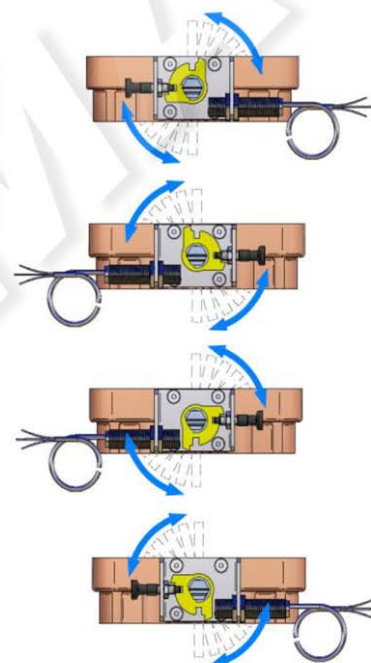
Suction Unit

SAE 1 1/2" to SAE 5"

The **asa** suction unit has been developed to provide a compact unit in hydraulic systems. The **asa** butterfly flange with SAE connections allows the combination with an elastic element (rubber compensator) to make a short compensating and economical connection with the pump port. The **asa** suction unit is screwed to the **asa** adapter flange, which is welded to the tank. Due to low installation costs and compact design, purchasing **asa** suction units is cost effective. A switch (mechanical or inductive) can be mounted on the standard block for monitoring matters.



possible valve positions and actuating directions^{*)}



^{*)}...the shown valve is attached with the optional available inductive limit switch. Please contact us to discover all functions and options.

Technical Data

description	order number	size		A	B	C	D	weight
		SAE	DIN	[mm]	[mm]	[mm]	[mm]	[kg]
ESAF – 40	SDAK0040T	1 1/2"	40	185	168	130	89	5,20
ESAF – 50	SDAK0050T	2"	50	185	168	150	103	6,20
ESAF – 63	SDAK0063T	2 1/2"	65	185	165	150	103	6,40
ESAF – 80	SDAK0080T	3"	80	185	166	150	110	7,50
ESAF – 100	SDAK0100T	4"	100	185	168	180	140	9,80
ESAF – 125	SDAK0125T	5"	125	185	198	205	165	11,60

Working Ranges

working pressure range	0,2 – 1,5 bar
temperature range	-20°C to +80°C

Material

butterfly valve housing	GGG 40 (0.7040), cast iron
valve disc	aluminium
gasket	NBR
compesator flange	steel
compensator rubber inside	NBR-CR
compensator rubber outside	CR
adapter flange	steel

