

Part number:

**HYDROMA**

HYDRAULICKÉ SYSTÉMY

**HIDROMA  
SYSTEMS**

UKŁADY HYDRAULICZNE

**HYDROMA**

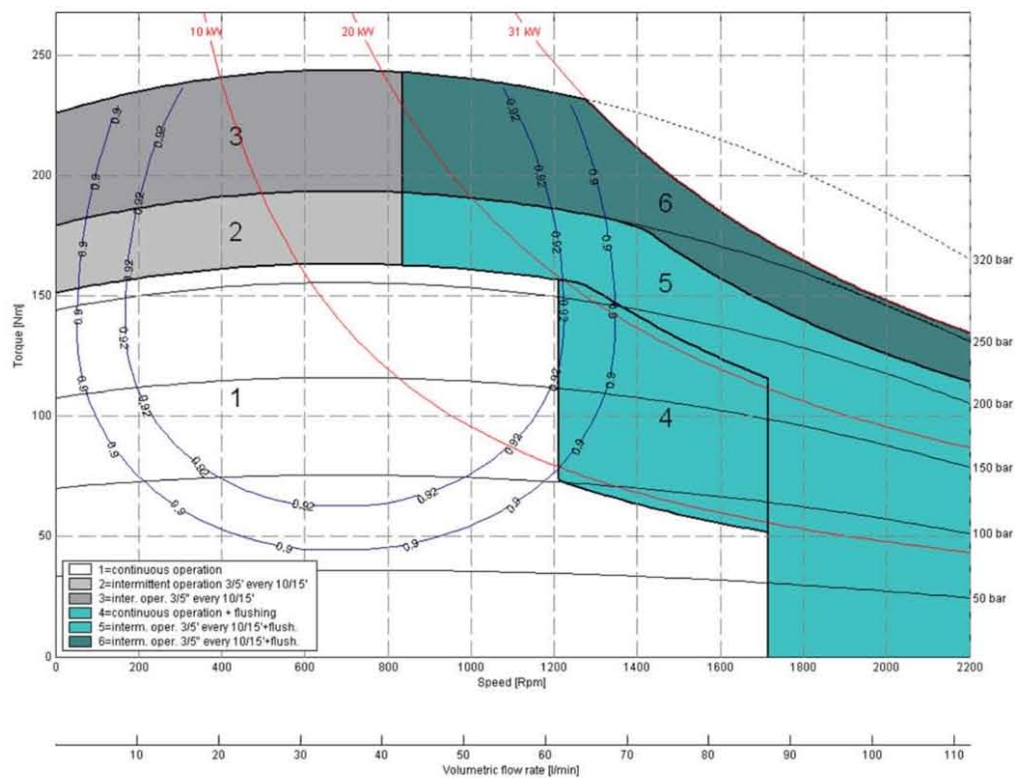
ГИДРАВЛИЧЕСКИЕ СИСТЕМЫ

## High Speed Radial Pistons Hydraulic Motors G and GD Series

### G 50 TECHNICAL SPECIFICATIONS

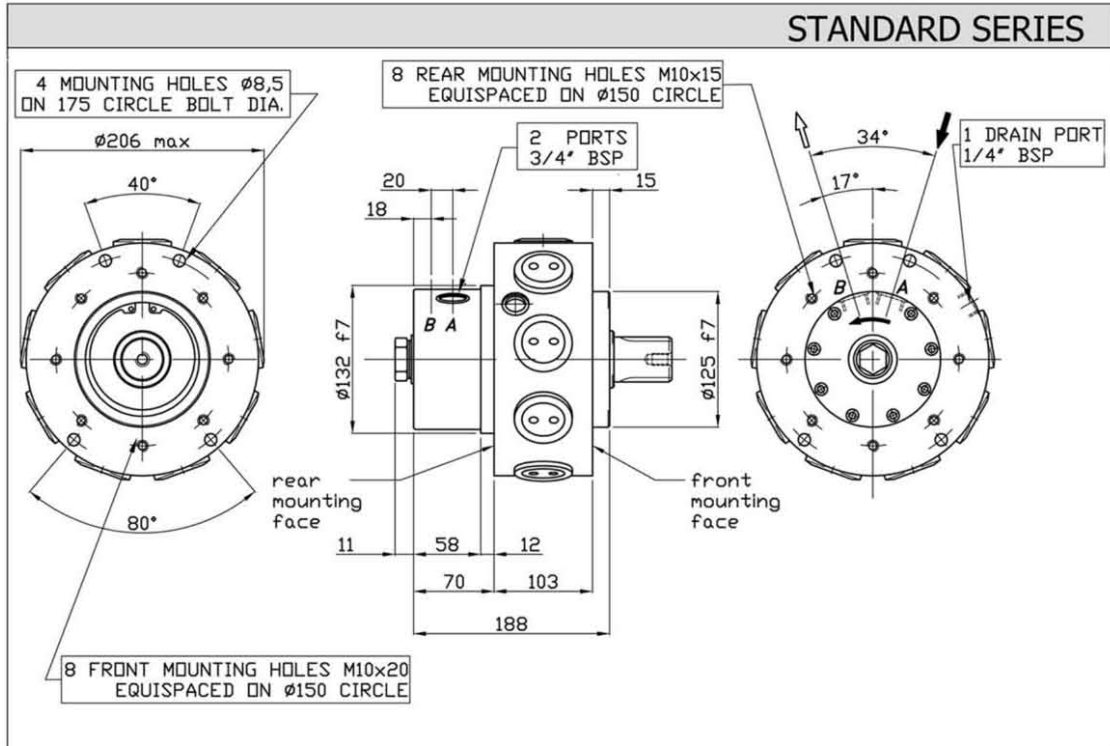
Displacement	cm <sup>3</sup> /n	50,9
Theoretical specific torque	Nm/bar	0,81
Continuous pressure	bar	210
Intermittent pressure	bar	250
Peak Pressure	bar	320
Max. Continuous Speed	n/min	1700
Intermittent Speed	n/min.	2000
Peak Speed	n/min.	2200
Minimum Speed	n/min.	25
Max. Output Power	kW	31
Weight	kg	25

### G 50 EFFICIENCY DIAGRAM



## High Speed Radial Pistons Hydraulic Motors G and GD Series

### G 50 INSTALLATION DRAWING



### G 50 SHAFT OPTION

A0: Standard Splined Shaft	A1: Splined Shaft on request	A2: Parallel shaft on request
<p>75</p> <p>45</p> <p>60</p> <p>M10x20</p> <p>W 40x2x18x8F DIN 5480</p> <p>Front Mounting face</p>	<p>37</p> <p>17</p> <p>29</p> <p>M10x20</p> <p>40x36 DIN 5482</p> <p>Front Mounting face</p>	<p>50</p> <p>12</p> <p>43</p> <p>60</p> <p>75</p> <p>M10x20</p> <p><math>\varnothing 40</math> k6</p> <p>Front Mounting face</p>

## High Speed Radial Pistons Hydraulic Motors G and GD Series

---

### Single Displacement G Series - Technical Data

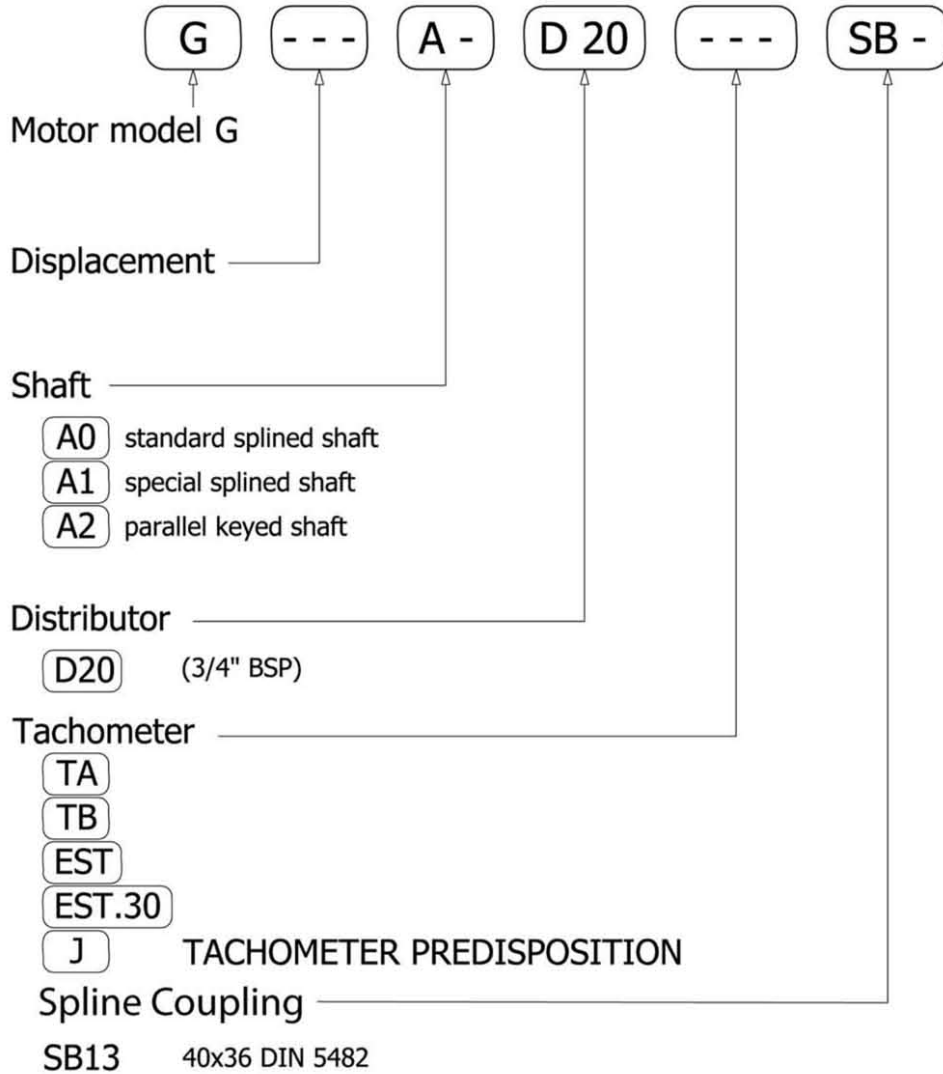
MODEL		G 20	G 27	G 34	G 50	G 75	G 90	G 100
Displacement	cm <sup>3</sup> / n	20,5	27,3	34,2	50,9	76,3	89	102
Specific Torque	Nm/bar	0,32	0,43	0,54	0,81	1,21	1,41	1,61
Continuous Speed	n/min.	1800	1800	1800	1700	1700	1700	1700
Max. Intermitt. Speed	n/min.	2200	2200	2200	2000	2000	2000	2000
Max. Peak Speed	n/min.	2500	2500	2500	2200	2200	2200	2200
Minimum Speed	n/min.	40	35	30	25	20	15	10
Continuous Pressure	bar	210	210	210	210	210	210	210
Intermittent Pressure	bar	250	250	250	250	250	250	250
Max. Pressure	bar	320	320	320	320	320	320	320
Max. Output cont. Power	kW	12	17	21	31	44	52	60
Weight	kg	19	19	19	25	25	25	25

- N° of pistons: 9
- Max. case pressure: 6 bar
- Max. back pressure: 70 bar
- Temperature range: -30°C + 70°C

## High Speed Radial Pistons Hydraulic Motors G and GD Series

---

### Single Displacement G Series - Order Code



---

EXAMPLE: G.34.A1.D20.SB13  
G.100.A0.D20.TA