

Part number:

**HYDROMA**

HYDRAULICKÉ SYSTÉMY

**HIDROMA  
SISTEMS**

UKŁADY HYDRAULICZNE

**HYDROMA**

ГИДРАВЛИЧЕСКИЕ СИСТЕМЫ

AVVOLGITORE PER CAVI ELETTRICI "SERIE CR10"  
ENROULEUR DE CABLE "SERIE CR10"

"SERIES CR10" CABLE REEL  
KABELROLLE "SERIE CR10"

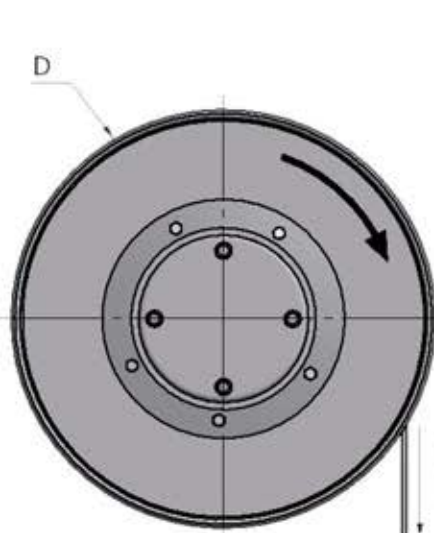
**CR 10**

Max tension: 50 V  
Max current: 4 A  
Max cable speed: 30 m/min  
Protection degree: IP 65  
Temperature range: -20/+60°C

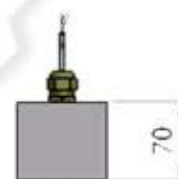
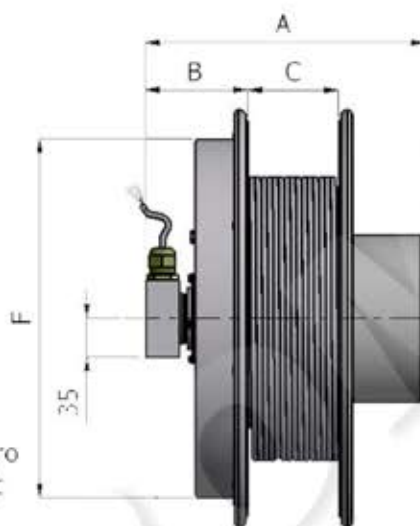
NOT for MANUAL USE



CRD520 = modello destro/right model - CRS520 = modello sinistro/left model



Destro  
Right



Cavo/Cable		A	B	C	D	E	F	Senza cavo - Without cable		Con cavo - With cable			
		mm						Usò orizzontale Horizontal use	Usò verticale Vertical use	Usò orizzontale - Horizontal use		Usò verticale - Vertical use	
Tipo/Type	Ø mm	Usable length [m]						Peso Weight kg	CODE	Peso Weight kg	CODE		
16x1 mm <sup>2</sup>	15	10	340	82	-	370	37	322			CRD370.161010		CRD370.161010/V
		15	340	92	-	520	47	322			CRD520.161015		CRD520.161015/V
		20	350	92	-	570	47	422			CRD570.161020		CRD570.161020/V
		30	350	92	-	720	47	532			CRD700.161030		CRD700.161030/V
		40					800			-		CRD800.161040	
20x1 mm <sup>2</sup>	15	10	360	82	-	370	37	322			CRD370.201010		CRD370.201010/V
		20	360	92	-	570	47	422			CRD570.201020		CRD570.201020/V
24x1 mm <sup>2</sup>	16	10	380	82	-	400	37	322			CRD400.241010		CRD400.241010/V
		15	380	92	-	520	47	322			CRD520.241015		CRD520.241015/V
		20	380	92	-	570	47	422			CRD570.241020		CRD570.241020/V
		25	390	92	-	620	47	422			CRD600.241025		CRD600.241025/V
30x1 mm <sup>2</sup>	17	15	390	92	-	500	47	322			CRD500.301015		CRD500.301015/V
32x1 mm <sup>2</sup>	19	5	390	92	-	478	47	322			CRD470.321005		CRD470.321005/V
		12	390	92	-	520	47	322			CRD520.321012		CRD520.321012/V
		20	390	92	-	620	47	422			CRD600.321020		CRD600.321020/V
		25			-	650	47	422			CRD650.321025		CRD650.321025/V
36x1 mm <sup>2</sup>	19	15			-	570	47	422			CRD570.361015		CRD570.361015/V
		25			-	650	47	422			CRD650.361025		CRD650.361025/V