

Part number:

HYDROMA

HYDRAULICKÉ SYSTÉMY

**HIDROMA
SISTEMS**

UKŁADY HYDRAULICZNE

HYDROMA

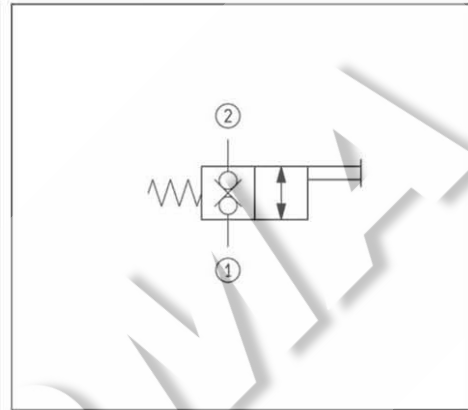
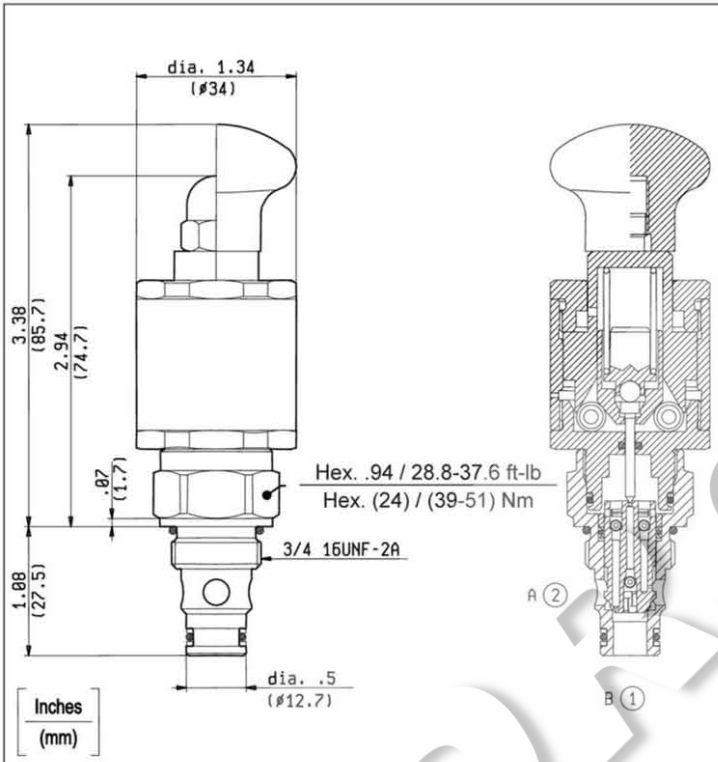
ГИДРАВЛИЧЕСКИЕ СИСТЕМЫ

**DIRECTIONAL CONTROL VALVES
MANUAL OPERATED POPPET 2-WAY DOUBLE LOCK
NORMALLY CLOSED COMMON CAVITY**

VMI-8A-2T-06-NC-S

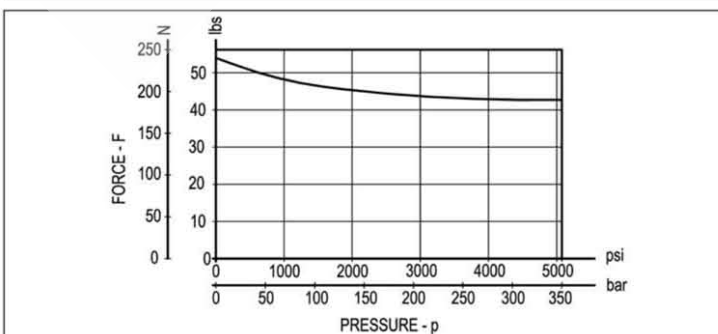
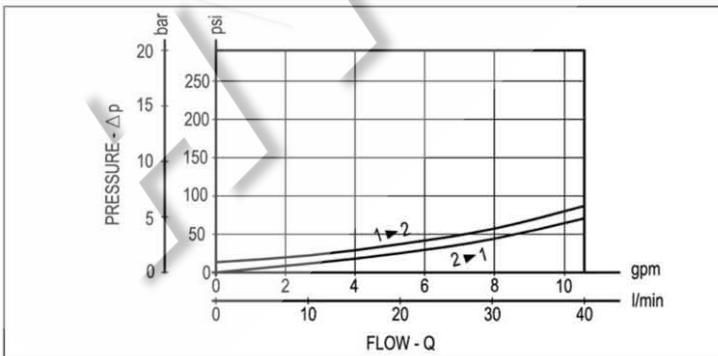
SIZE 08

OD.55.31.18.37 - Z



TECHNICAL DATA

Maximum Operating Pressure	5000 psi (350 bar)
Rated Flow	11 gpm (40 l/min)
Cavity - Tooling (CA-08A-2N)	page CT.A.001.U
Line bodies	page MN2.A...
Weight	0.617 lbs (0.280 kg)
Fluids - Temperatures	page 7.01.040
Testing Conditions - Seals	page 7.01.040
Internal Leakage	page 7.01.040
Filtration : 25 µm nominal or better	page 7.01.050
Mounting Position	unrestricted
Only for cam-operated valves:	
OPERATING STROKE:	(0.12 in) (3 mm)
MAX. OVERSTROKE:	(0.02 in) (0.5 mm)



Z	OPERATION	
00	Hand-Operated	
01	Cam-Operated	