

Part number:

[Empty box for part number]

**HYDROMA**

HYDRAULICKÉ SYSTÉMY

**HIDROMA  
SYSTEMS**

UKŁADY HYDRAULICZNE

**HYDROMA**

ГИДРАВЛИЧЕСКИЕ СИСТЕМЫ

**DIRECTIONAL CONTROL VALVES  
CARTRIDGE CHECK VALVES**

**VU-C-06**

**OD.42.01.00.56 - Z**

**DESCRIPTION**

Simple but reliable poppet style cartridge check valves for use as a blocking or load-holding device.

**OPERATION**

These valves block flow from ② to ①, while allowing flow in the opposite direction. The spring keeps poppet in closed position until cracking pressure is reached at port ①.

**FEATURES - RATINGS**

**Maximum Operating Pressure**

**350 bar**

**Rated Flow**

**30 l/min**

- Cavity - Tooling (page 7.01.10) : 018-E
- Weight : 0.090 kg
- Fluids - Temperatures - Testing Conditions - Seals : see page 7.01.04
- Internal Leakage : see page 7.01.04
- Filtration : 25 µm nominal or better, see page 7.01.05
- Mounting Position : unrestricted

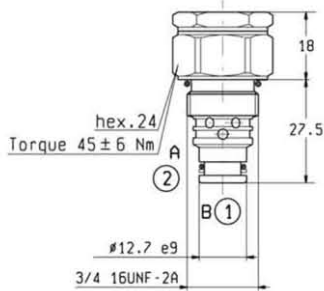
**ORDERING OPTIONS**

**Spring Cracking Pressure 1 bar**

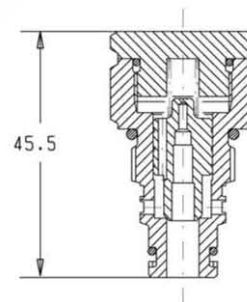
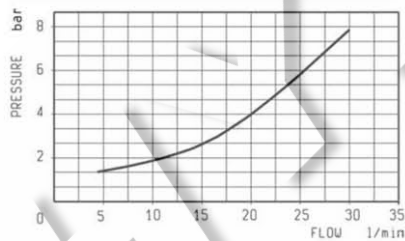
**Z = 01**

**Spring Cracking Pressure 5 bar**

**Z = 05**



**PRESSURE DROP**



**DIRECTIONAL CONTROL VALVES**  
**CARTRIDGE CHECK VALVES**

**VU-C-09**

**OD.42.01.00.04 - Z**

**DESCRIPTION**

Simple but reliable poppet style cartridge check valves for use as a blocking or load-holding device.

**OPERATION**

These valves block flow from ② to ①, while allowing flow in the opposite direction.  
 The spring keeps poppet in closed position until cracking pressure is reached at port ①.

**FEATURES - RATINGS**

**Maximum Operating Pressure**

**350 bar**

**Rated Flow**

**60 l/min**

- Cavity - Tooling (page 7.01.10) : 017-E
- Weight : 0.175 kg
- Fluids - Temperatures - Testing Conditions - Seals : see page 7.01.04
- Internal Leakage : see page 7.01.04
- Filtration : 25 µm nominal or better, see page 7.01.05
- Mounting Position : unrestricted

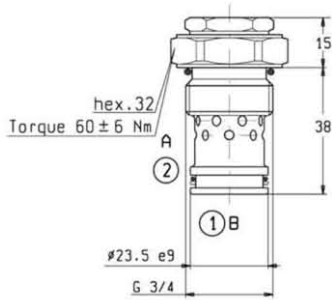
**ORDERING OPTIONS**

**Spring Cracking Pressure 1 bar**

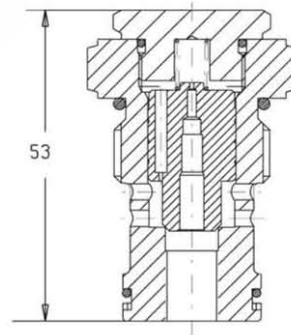
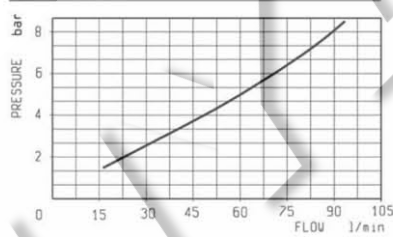
**Z = 01**

**Spring Cracking Pressure 5 bar**

**Z = 05**



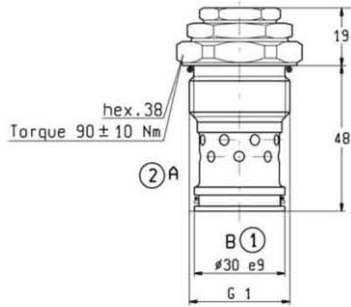
**PRESSURE DROP**



**DIRECTIONAL CONTROL VALVES  
CARTRIDGE CHECK VALVES**

**VU-C-12**

**OD.42.01.00.05 - Z**



**DESCRIPTION**

Simple but reliable poppet style cartridge check valves for use as a blocking or load-holding device.

**OPERATION**

These valves block flow from  $\textcircled{2}$  to  $\textcircled{1}$ , while allowing flow in the opposite direction. The spring keeps poppet in closed position until cracking pressure is reached at port  $\textcircled{1}$ .

**FEATURES - RATINGS**

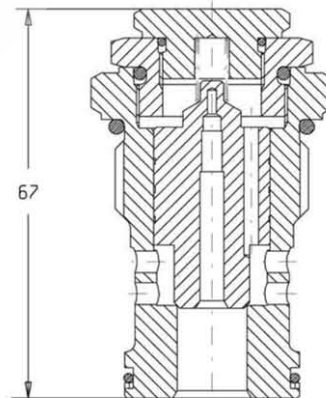
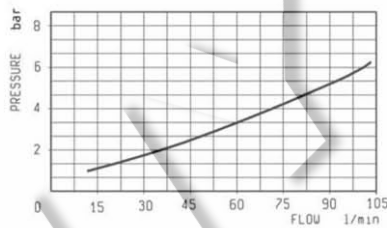
**Maximum Operating Pressure** 350 bar  
**Rated Flow** 100 l/min

- Cavity - Tooling (page 7.01.11) : 021-E
- Weight : 0.320 kg
- Fluids - Temperatures - Testing Conditions - Seals : see page 7.01.04
- Internal Leakage : see page 7.01.04
- Filtration : 25  $\mu\text{m}$  nominal or better, see page 7.01.05
- Mounting Position : unrestricted

**ORDERING OPTIONS**

**Spring Cracking Pressure 1 bar** Z = 01  
**Spring Cracking Pressure 5 bar** Z = 05

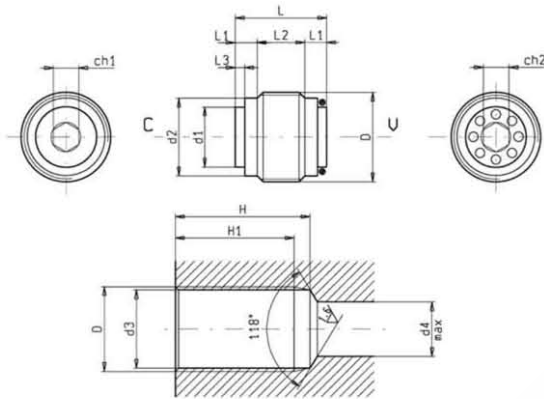
**PRESSURE DROP**



**DIRECTIONAL CONTROL VALVES  
INSERT-TYPE CARTRIDGE CHECK VALVES**

**VU-LN**

**OD.44.02.00 - Y - Z**



**DESCRIPTION - OPERATION**

These valves are particularly suitable to be used in integrated circuits due to very small dimensions and ease of installation. They have to be mounted as indicated.

**FEATURES - RATINGS**

**Maximum Operating Pressure 350 bar**

**Rated Flow see table**

- Fluids - Temperatures - Testing Conditions - Seals : see page 7.01.04
- Internal Leakage : see page 7.01.04
- Filtration : 25 µm nominal or better, see page 7.01.05



L3	L2	L1	L	H1	H	ch2	ch1	d4	d3	d2	d1	Y
1	6	5.5	17	25	28	3	3	8	11.8	11.3	9.2	09
1.8	7.5	5.5	18.5	27	30	3	4	9	15.2	14.8	11	02
1.8	9.5	6.5	22.5	32	36	5	6	12	19	18.5	14.2	03
2.7	14.5	7	28.5	37	42	8	8	17	24.5	24.1	19	04

Z	CRACKING PRESSURE bar			
	G 1/4	G 3/8	G 1/2	G 3/4
01	2.3	1.75	1.75	0.3

O - Ring Size	O - Ring Code	TIGHTENING TORQUE Cartridge	WEIGHT Kg	FLOW MAX. l/min	D	Y
9 x 1	11.02.01.989	6 Nm	0.015	15	G 1/4	09
10.8 x 1.8	11.02.01.015	6 Nm	0.025	30	G 3/8	02
14 x 1.8	11.02.01.018	10 Nm	0.040	50	G 1/2	03
18.7 x 2.6	11.02.01.072	20 Nm	0.070	80	G 3/4	04

