

Part number:

HYDROMA

HYDRAULICKÉ SYSTÉMY

**HIDROMA
SISTEMS**

UKŁADY HYDRAULICZNE

HYDROMA

ГИДРАВЛИЧЕСКИЕ СИСТЕМЫ

Flow regulator 3 way, combination type pressure compensated

A-VRFC3C

0M.D2.03 - X - Y

RE 18309-51

Edition: 03.2016

Replaces: 04.2010



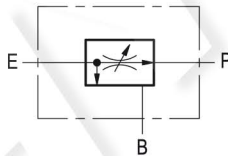
Technical data

Max operating pressure	350 bar (5000 psi)
QE= max. inlet flow "E" port (see "Dimensions")	
QP= max. regulated flow "P" port (see "Dimensions")	
Flow range adjustment	0 - 3 turns
Weight	see "Dimensions"
Manifold material	Zinc plated steel
Fluid	Mineral oil (HL, HLP) according DIN 51524
Fluid temperature range	-30 °C to 100 (-22 to 212 °F)
Viscosity range	5 to 800 mm ² /s (cSt)
Recommended degree of fluid contamination	Class 19/17/14 according to ISO 4406
Other technical data	see data sheet 18350-10

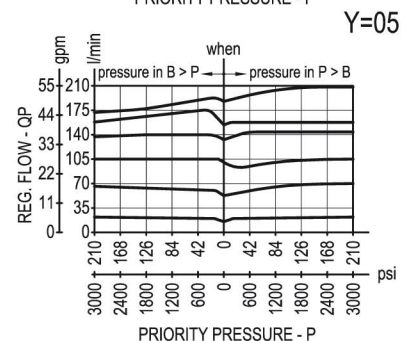
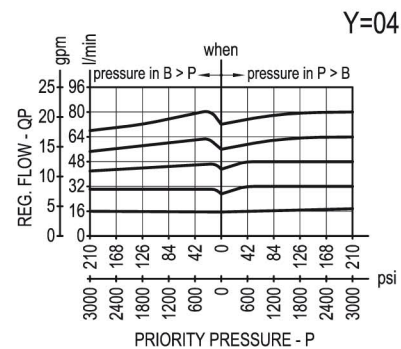
Note: for applications outside these parameters, please consult us.

Description

A constant priority flow, regardless of system pressures, is established from E to P, while a minimum pressure differential of appr. 5 bar (70 psi) exists between the two ports. While the regulated priority flow from P is used in the priority circuit, the flow supplied to E in excess of priority is by-passed to B port and can be sent to power other actuators. Priority flow can be varied from closed to the nominal maximum rating of the valve. Reverse flow from P to E is limited by the selected opening of the restrictor and is not pressure compensated. Reverse flow from B is not permitted.



Characteristic curve



Ordering code

0M.D2.03	X	Y
-----------------	----------	----------

Flow regulator
3 way, combination type
pressure compensated

Adjustments

70 Handknob and locknut



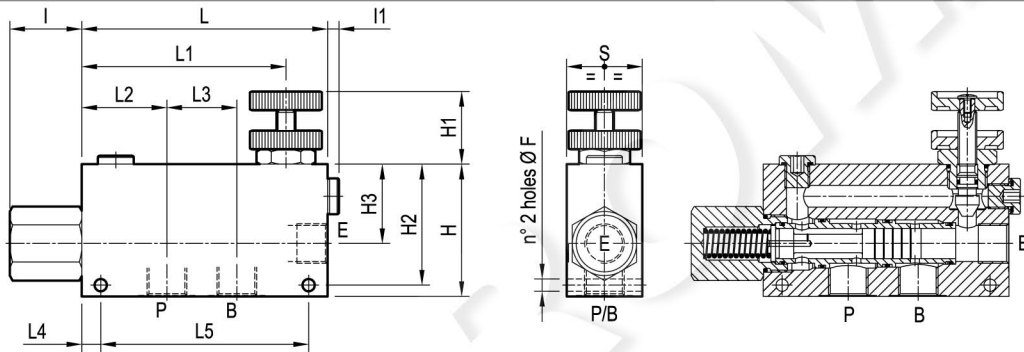
Port sizes	E - B - P
04	G 3/4
05	G 1

Preferred types

Type	Material number
0MD203700400000	R930004488
0MD203700500000	R930004490

Type	Material number

Dimensions



70 (2.76)	130 (5.12)	10 (0.39)	56.5 (2.22)	48 (1.89)	122.5 (4.82)	150 (5.91)	6 (0.24)	38 (1.5)	65 (2.56)	120 (4.72)	40 (1.58)	130 (5.12)	8.5 (0.34)	190 l/min 50 gpm	380 l/min 100 gpm	G 1	9.9 (21.8)
50 (1.97)	135 (5.32)	10 (0.39)	44 (1.73)	54 (2.13)	130 (5.12)	155 (6.1)	6 (0.24)	38 (1.5)	55 (2.17)	83 (3.27)	40 (1.58)	90 (3.54)	8.5 (0.34)	90 l/min 24 gpm	150 l/min 40 gpm	G 3/4	5.4 (11.9)
S	L5	L4	L3	L2	L1	L	I1	I	H3	H2	H1	H	F	QP	QE	Y	Weight kg (lbs)