

Part number:

096-10353

HYDROMA

HYDRAULICKÉ SYSTÉMY

**HIDROMA
SYSTEMS**

UKŁADY HYDRAULICZNE

HYDROMA

ГИДРАВЛИЧЕСКИЕ СИСТЕМЫ



CFP

FILLING VALVES

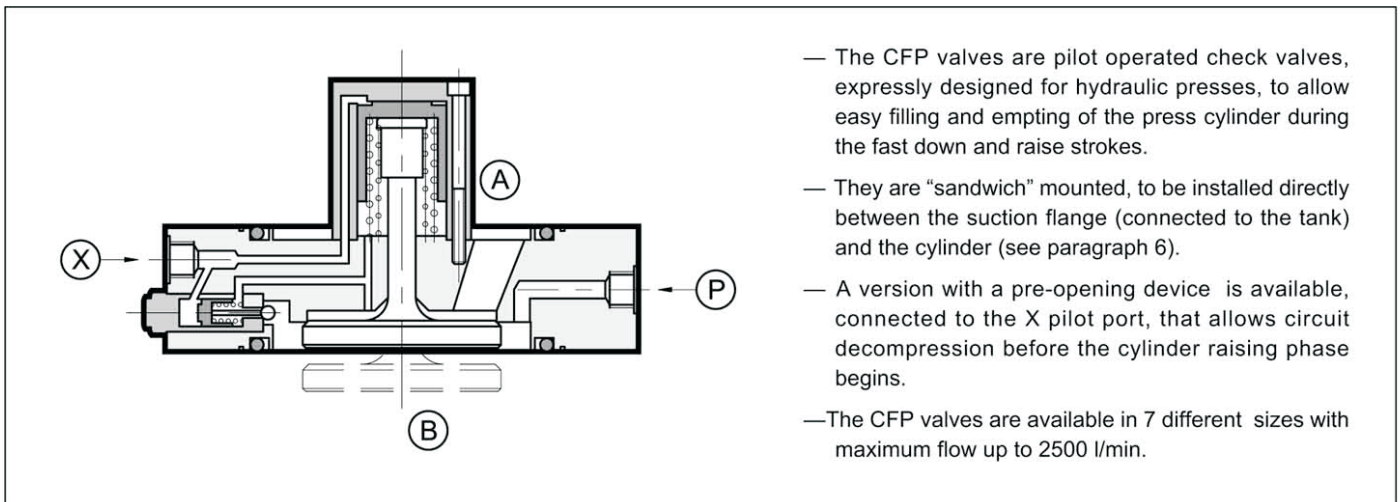
SERIES 10

SANDWICH MOUNTING

p max **350** bar

Q max (see table of performances)

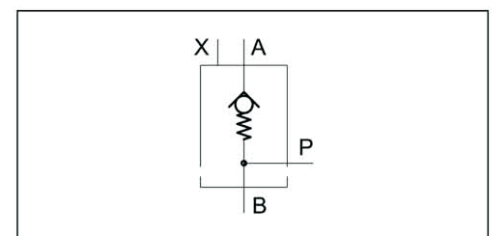
OPERATING PRINCIPLE



PERFORMANCES

VALVE CODE			CFP-S032	CFP-S040	CFP-S050	CFP-S063	CFP-S080	CFP-S100	CFP-S125
Nominal size			DN-32	DN-40	DN-50	DN-63	DN-80	DN-100	DN-125
Maximum flow (with $\Delta p = 0,3$ bar and viscosity 36 cSt)		l/min	160	250	400	600	1000	1600	2500
Maximum pressure	Ports P and B	bar	350						
	Port X	bar	100						
	Port A	bar	16						
Cracking and pilot pressure			see par. 4						
Mass		kg	1,2	1,7	2,4	3,4	5,2	11,7	19,6

HYDRAULIC SYMBOL



Ambient temperature range	°C	-20 / +50
Fluid temperature range	°C	-20 / +80
Fluid viscosity range	cSt	10 ÷ 400
Recommended viscosity	cSt	25
Fluid contamination degree	according to ISO 4406:1999 class 20/18/15	

5 - OVERALL DIMENSIONS

A = Inlet port (tank side)

B = Cylinder side

P = pressure port

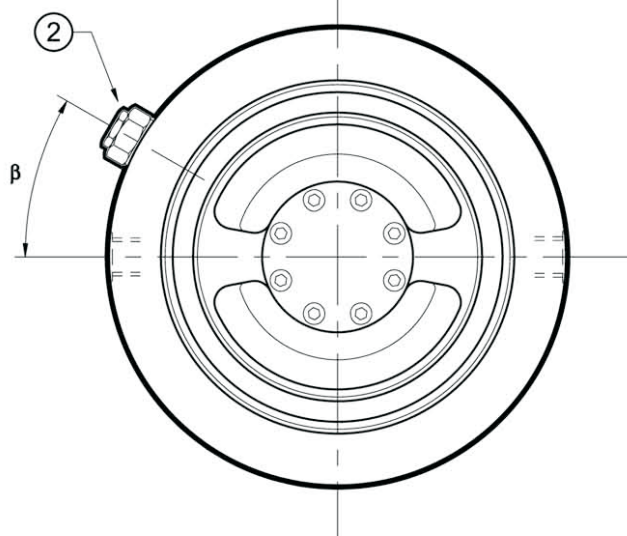
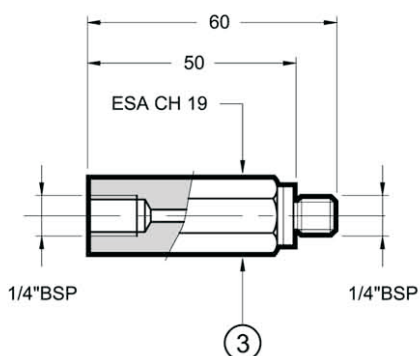
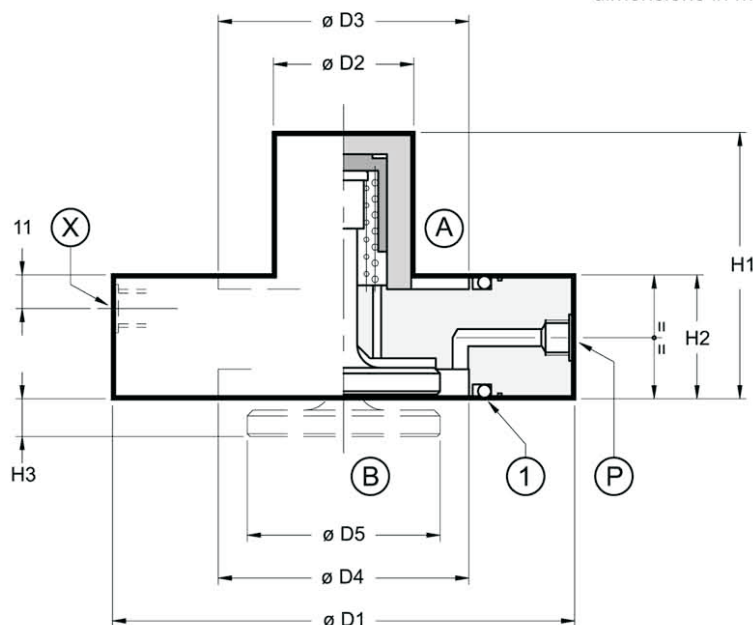
X = Pilot pressure port

(1) = Seals (see table)

(2) = Pre-opening device (option /P)

(3) = Extension for piloting port, including bonded seal, code 3406400001, to be ordered separately

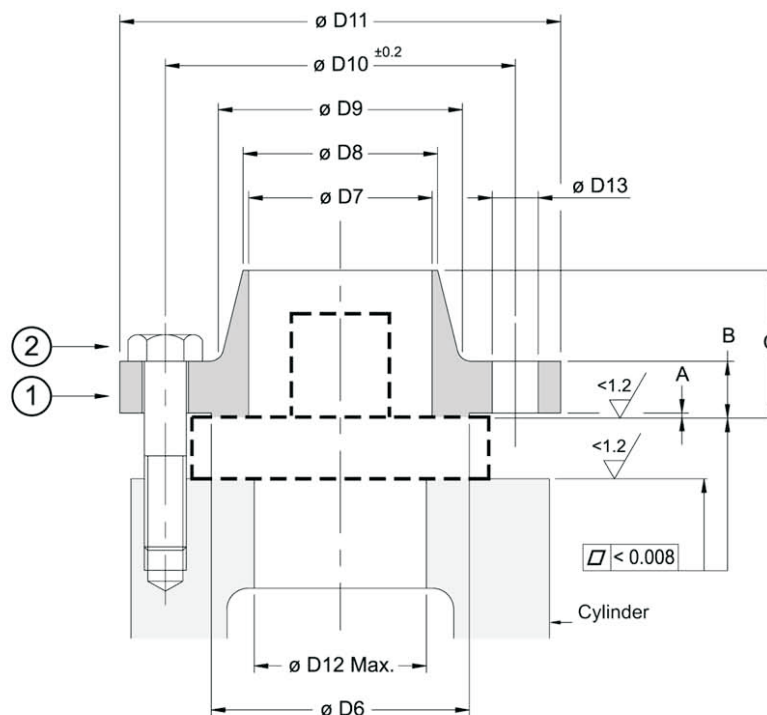
dimensions in mm



	D1 [mm]	D2 [mm]	D3 [mm]	D4 [mm]	D5 [mm]	H1 [mm]	H2 [mm]	H3 [mm]	B	P	X	(1)	
CFP-S032	93	32	43	43	32	55	27	7,5	60°	1/4" BSP	1/4" BSP	Copper ring "A" shape DIN 7603	52x45x2
CFP-S040	108	39	54	57	41,5	60	28	10	45°				68x60x2
CFP-S050	128	43	73	73	53	72	29	12	45°				85x75,5x2
CFP-S063	143	50	87	87	63	83	34	14	45°			O-ring type	OR 6375 (94,62x5,34)
CFP-S080	169	56	107	107	80	97	38,5	17	45°				OR 6450 (113,70x5,34)
CFP-S100	212	69	130	130	100	118	44	22	45°				OR 8550 (139,10x6,99)
CFP-S125	248	88	168	151	127	155	51	30	-	3/8" BSP		OR 8725 (183,50x6,99)	

6 - INSTALLATION

dimensions in mm



	(1) Suggested dimensions for connection flange (see NOTE 2)											max pressure on port B [bar]	(2)		
	D6 [mm]	D7 [mm]	D8 [mm] NOTE 1	D9 [mm]	D10 [mm]	D11 [mm]	D12 [mm]	D13 [mm]	A [mm]	B [mm]	C [mm]		Fastening bolts (type A 12.9)	Q.ty	Tightening torque [Nm]
CFP-S032	88	42	48,3	88	110	150	42	18	3	18	45	350	M16	4	285
CFP-S040	102	53	60,3	102	125	165	56	18	3	26	62		M16	4	285
CFP-S050	122	69	76,1	122	145	185	71	18	3	26	68		M16	8	285
CFP-S063	138	82	88,9	138	160	200	86	18	3	28	72		M16	8	285
CFP-S080	162	107	114,3	162	190	235	108	22	3	30	78		M20	8	560
CFP-S100	188	131	139,7	188	240	295	132	29	3	40	105		M27	8	1400
CFP-S125	218	160	168,3	218	280	338	168	32	3	44	115		M30	8	1900

NOTE 1: Calculated diameters for PN 16 - DIN 2448 steel pipes

NOTE 2: For application with standard connection flange type UNI2284 - UNI2285 - UNI2286, special bushings to fit on fastening bolts must be provided in order to ensure a correct valve mounting.

For information about the installation with UNI connector flange, please consult our technical department.