

Part number:

HYDROMA

HYDRAULICKÉ SYSTÉMY

**HIDROMA
SYSTEMS**

UKŁADY HYDRAULICZNE

HYDROMA

ГИДРАВЛИЧЕСКИЕ СИСТЕМЫ

RE 18332-79/12.09
Replaces: RE 00199/11.07

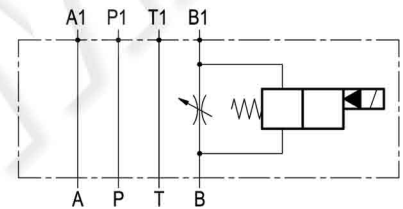
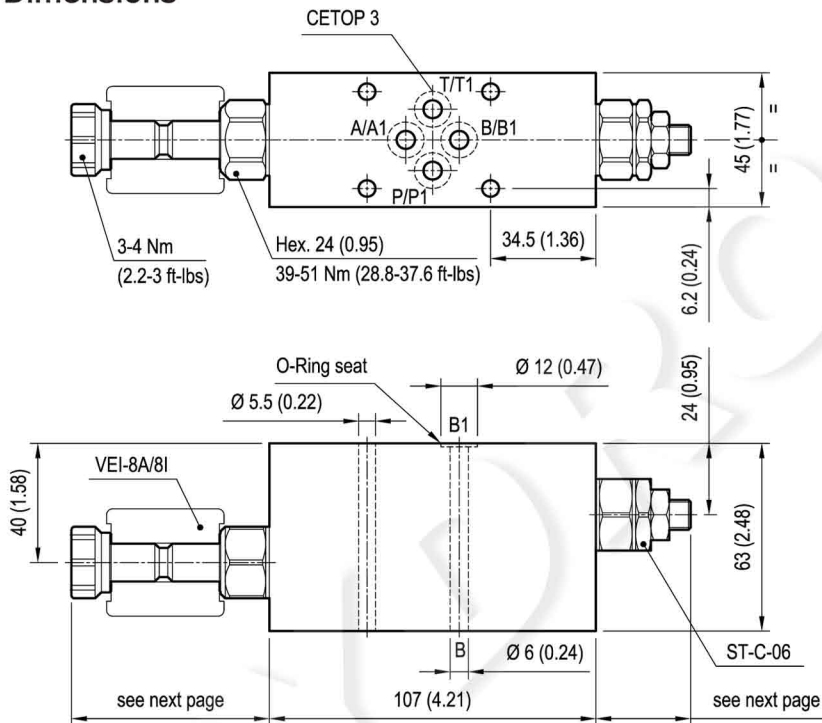
1/4

Sandwich valves, module with solenoid valve and flow restrictor

EM-VEI8A/8I-ST-CETOP3-B1

OP . 62 - K - X - 29 - Y

Dimensions



Technical data

Max flow: up to 40 l/min (11 gpm)

Max operating pressure: 210 bar (3000 psi)

Standard manifolds in high strength **aluminium**.
For working pressure up to 350 bar (5000 psi)
and for fatigue applications with any working
pressure, steel manifolds are available upon
request.

Note: meter-in control

[mm (inches)]

OP62		- K -		- X -	29	- Y -		CARTRIDGE SCHEME	
		monodir.	bidir.			Rated Flow		monodir.	bidir.
						30 l/min (8 gpm)	40 l/min (11 gpm)		
CARTRIDGE CODE	OD15		05	see next page	18	3I	3A		
	OD15		05		18	3M	3D		
	OD15		06		18	1I	1A		
	OD15		06		18	1L	1B		
	OD15		06		18	1M	1C		

ST-C-06 FLOW RESTRICTOR
code OD.21.01.X.56.Z

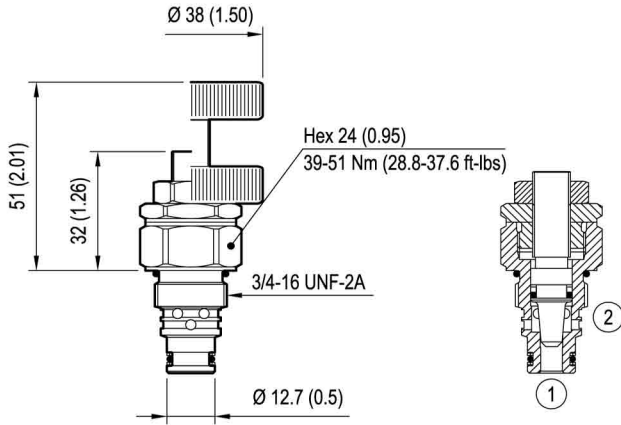
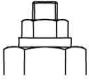
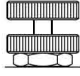


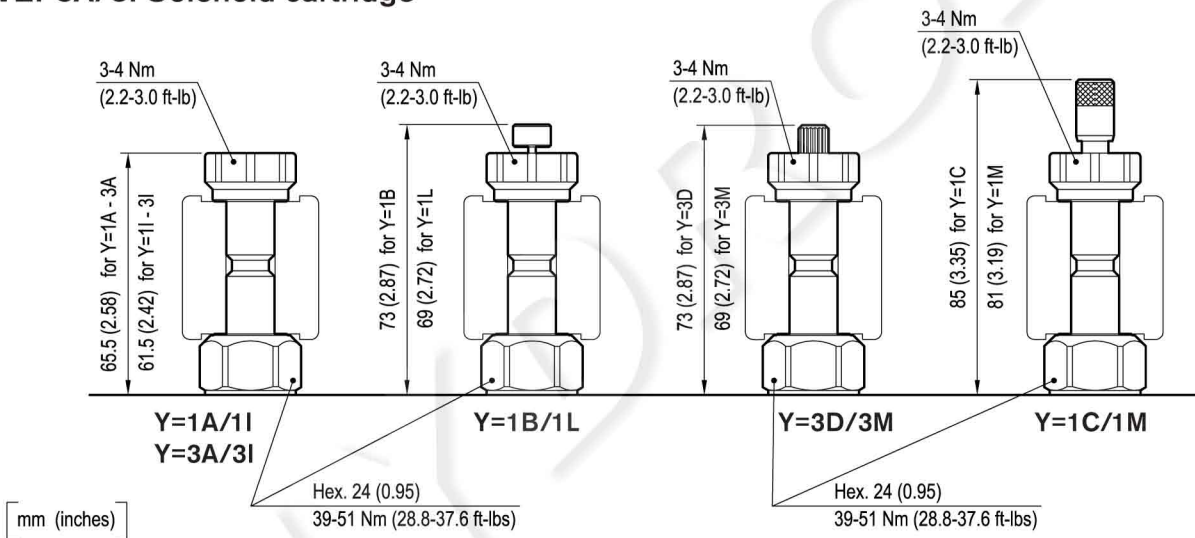
Table "X"

X	ST-C-06 ADJUSTMENTS	
03	Leakproof hex. socket screw	
04	Handknob and locknut	

For other details see data sheet RE 18321-26

[mm (inches)]

VEI-8A/8I Solenoid cartridge

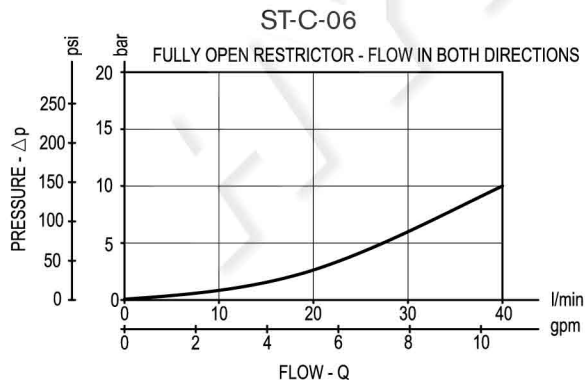
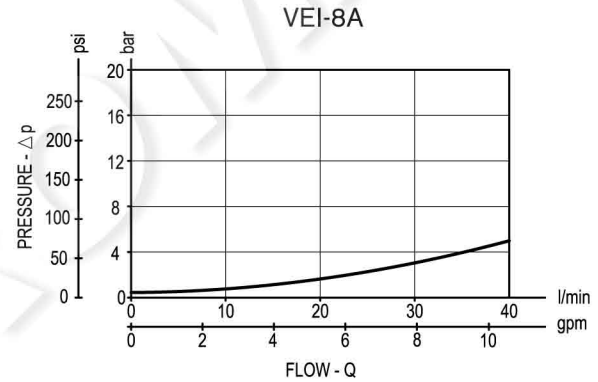
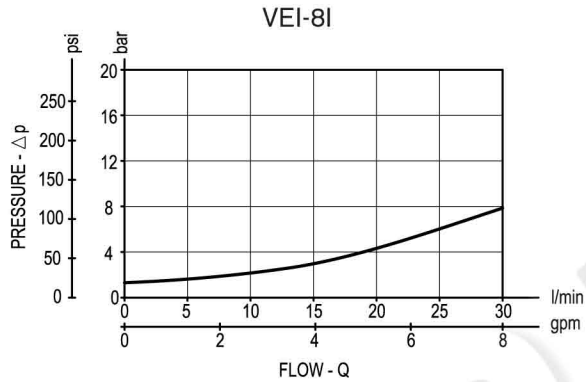


[mm (inches)]

Table "Y"

Y	MANUAL OVERRIDE OPTIONS		VEI-8A TECHNICAL DATA	
	K = 05	K = 06		
1A/1I	/	No override	Internal leakage:	max. 1 cm ³ /min (0.06 inch ³ /min)
1B/1L	/	Push style	Filtration:	25 μm nominal or better
1C/1M	/	Push and twist style	Minimum voltage required:	90% of nominal value
3A/3I	No override	/	Coil:	S8-356 (must be ordered separately) (see data sheet RE 18325-90)
3D/3M	Knob style	/	For other details see cartridge data sheet	

Performance graphs



Ordering code

OP.62	K	X	29	Y
-------	---	---	----	---

Sandwich valves
module with solenoid valve
and flow restrictor

Cartridge scheme (see page 1)

= 05

bidirectional

= 06

Cartridge adjustment (see page 2)

= 03

Leakproof hex. socket screw

= 04

Handknob and locknut

Manual override options
(see page 2)

Flange CETOP 3 (DOT3)

Preferred types (readily available)

Type	Material number
OP620503293A00	R934002729
OP620503293B00	R934002730
OP620603291A00	R934002731

Type	Material number

Further types available by request