

Part number:

009-10307

HYDROMA

HYDRAULICKÉ SYSTÉMY

**HIDROMA
SISTEMS**

UKŁADY HYDRAULICZNE

HYDROMA

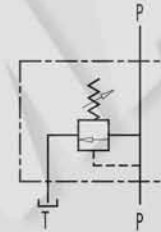
ГИДРАВЛИЧЕСКИЕ СИСТЕМЫ

RELIEF VALVES

TIPO/TYPE
VMP



SCHEMA IDRAULICO
HYDRAULIC DIAGRAM



USE AND OPERATION:

The relief valve provides overload protection in a fast and accurate way: when it reaches pressure setting, the valve opens allowing pressure relief in order not to exceed this setting.

MATERIALS AND FEATURES:

Body: zinc-plated steel.
Internal parts: hardened and ground steel
Seals: BUNA N standard
Poppet type: minor leakage

APPLICATIONS:

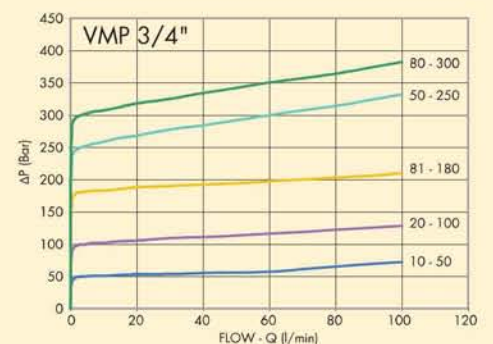
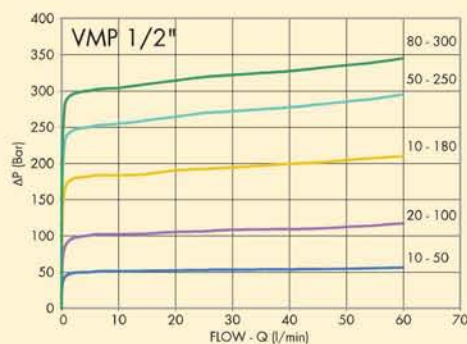
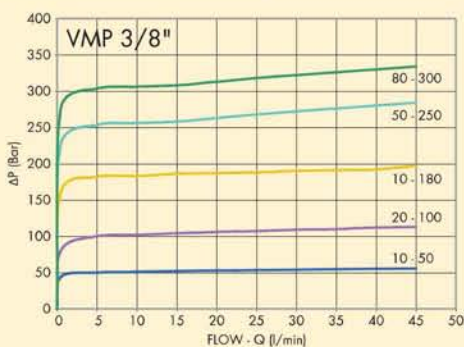
Connect circuit port with pressure to P and tank port to T. Port P is reversible.

ON REQUEST

- different setting range (see the table)
- other settings available (CODE/T: please specify the desired setting)

PRESSIONE/PORTATA
PRESSURE/FLOW

Temperatura olio: 50°C - Viscosità olio: 30 cSt
Oil temperature: 50°C - Oil viscosity: 30 cSt



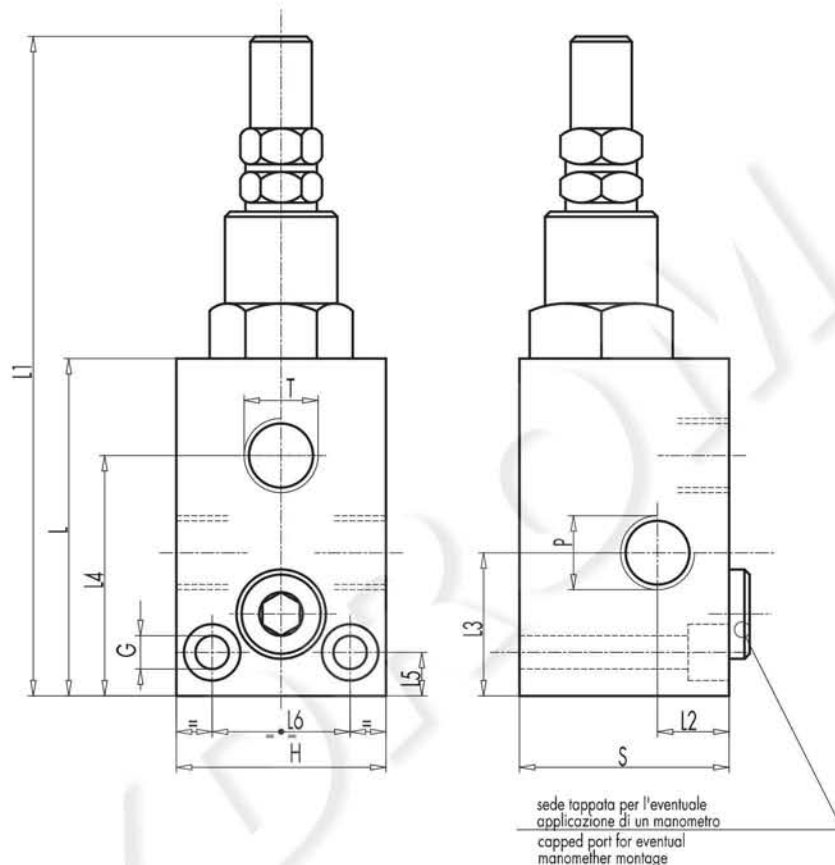


CODICE
CODE

SIGLA
TYPE

PORTATA MAX
MAX FLOW
L./min

V0700	VMP 3/8"	45
V0710	VMP 1/2"	70
V0720	VMP 3/4"	120



CODICE CODE	SIGLA TYPE	P - T	L	L1	L2	L3	L4	L5	L6	G	H	S	PESO WEIGHT
		GAS	mm	mm	mm	mm	mm	mm	mm	mm	mm	mm	Kg
V0700	VMP 3/8"	G 3/8"	72	134	15	26	49,5	8,5	26	6,5	40	40	0,824
V0710	VMP 1/2"	G 1/2"	77	139	17,5	29,5	54	8,5	30	6,5	45	45	1,058
V0720	VMP 3/4"	G 3/4"	92	154	17,5	35	68	10	32	8,5	50	50	1,470

MOLLE • SPRINGS

Campo di taratura Setting range (bar)	Incremento bar per giro Pressure increase (bar/turn) Q = 4 l/min	Taratura standard Standard setting (bar)
10 - 50*	7	30
20 - 100	12	75
10 - 180 STANDARD	30	90
50 - 250	45	130
80 - 300	50	150

*Per tarature inferiori a 70 Bar: Q = 12 l/min *For setting less than 70 Bar: Q = 12 l/min

REGOLAZIONE - ADJUSTEMENT

CODICE/V • CODE/V

Volantino
Handknob

CODICE/PP • CODE/PP

Predisposizione alla piombatura
Arranged for sealing cap

CODICE/P • CODE/P

Piombatura
Sealing cap