

Part number:

HYDROMA

HYDRAULICKÉ SYSTÉMY

**HIDROMA
SYSTEMS**

UKŁADY HYDRAULICZNE

HYDROMA

ГИДРАВЛИЧЕСКИЕ СИСТЕМЫ

Dual counterbalance, relief compensated

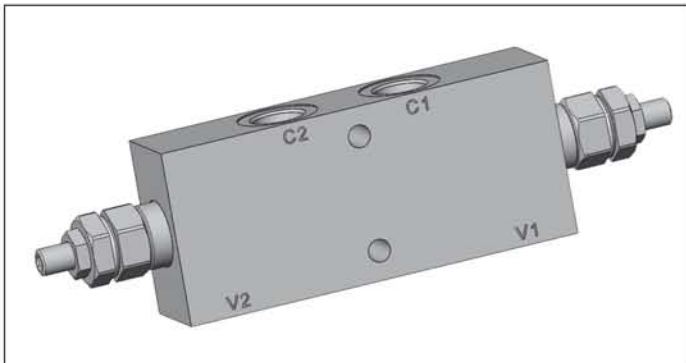
A-VBSO-DE-CC-30

08.44.04 - X - Y - Z

RE 18307-67

Edition: 12.2022

Replaces: 03.2016



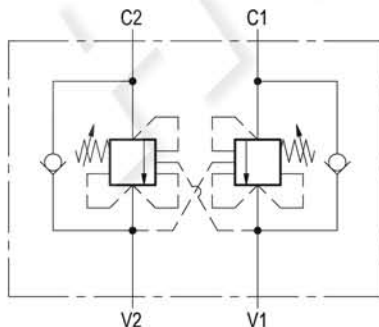
Technical data

Max. operating pressure	410 bar (5945 psi)
Max. flow	60 l/min. (16 gpm)
Weight	see "Dimensions"
Manifold material	Zinc plated steel
Fluid	Mineral oil (HL, HLP) according DIN 51524
Fluid temperature range	-30 °C to 100 (-22 to 212 °F)
Viscosity range	5 to 800 mm ² /s (cSt)
Recommended degree of fluid contamination	Class 19/17/14 according to ISO 4406
MTTFd	150 years see data sheet 18350-51
Other technical data	see data sheet 18350-50
Relief setting:	at least 1.3 times the highest expected load.

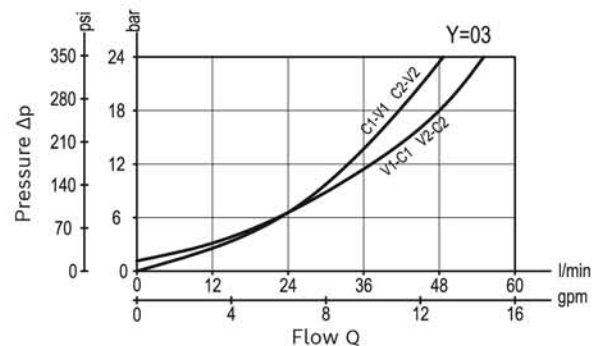
Note: for applications outside these parameters, please consult us.

Description

It provides static and dynamic control of load by regulating the flow IN and OUT of the actuator, through ports C1 and C2. This valve module includes 2 sections, each one composed by a check and a relief valve with balanced piston, pilot assisted by pressure in the opposite line: the check section allows free flow into the actuator, then holds the load against reverse movement; with pilot pressure applied at the line across, the pressure setting of the relief is reduced in proportion to the stated ratio until opening and allowing controlled reverse flow. Relief operates at the valve setting independent of back-pressure, but the piloted opening remains subject to additive pressure at V1 or V2.



Characteristic curve



Ordering code

08.44.04	X	Y	Z
-----------------	----------	----------	----------

Dual counterbalance

Pilot ratio

03 4.2 : 1

Port sizes	V1 - V2	C1 - C2
02	G 3/8	G 3/8
03	G 1/2	G 1/2

SPRINGS			
	Adj. pressure range bar (psi)	Pres. increase bar/turn (psi/turn)	Std. setting Q=5 (l/min) bar (psi)
20	60-210 (870-3000)	75 (1088)	200 (2900)
35	100-350 (1450-5000)	165 (2393)	350 (5000)

Pressure setting up to 410 bar: code on request.

Tamper resistant cap code ordering code 11.04.23.003
Mat. no. R930000754

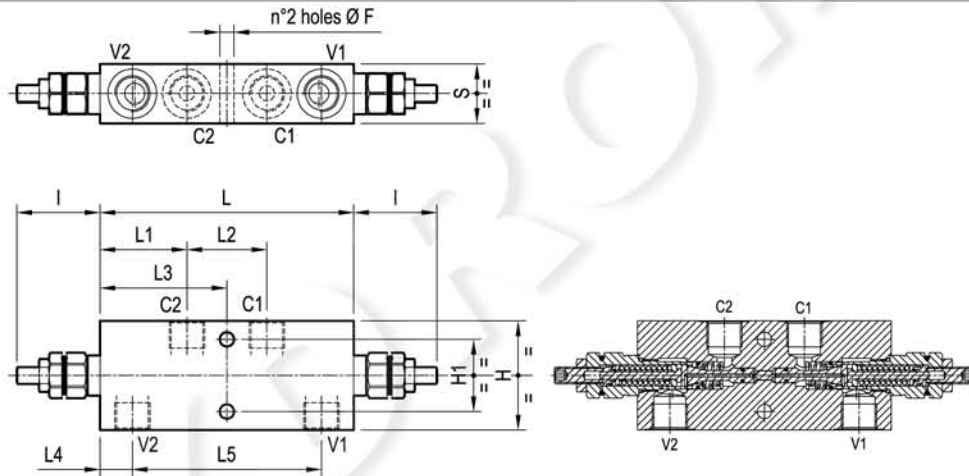


Preferred types

Type	Material number
084404030220000	R930003349
084404030235000	R930003352

Type	Material number
084404030320000	R930003355
084404030335000	R930003356

Dimensions



35	112.6	19.2	75.5	47.6	51.7	151	49.5	43	65	8.5				G 1/2	2.6
(1.38)	(4.43)	(0.76)	(2.97)	(1.87)	(2.04)	(5.95)	(1.95)	(1.69)	(2.56)	(0.34)					(5.7)
30	109.6	20.7	75.5	47.6	51.7	151	49.5	38	55	8.5				G 3/8	2.0
(1.18)	(4.32)	(0.82)	(2.97)	(1.87)	(2.04)	(5.95)	(1.95)	(1.5)	(2.17)	(0.34)					(4.4)
S	L5	L4	L3	L2	L1	L	I	H1	H	F				Y	Weight
															kg (lbs)