

Part number:

Pilot operated check,
pilot to open
Common cavity, Size 10

VSON-10A

04.33.05 - X - 85 - Z

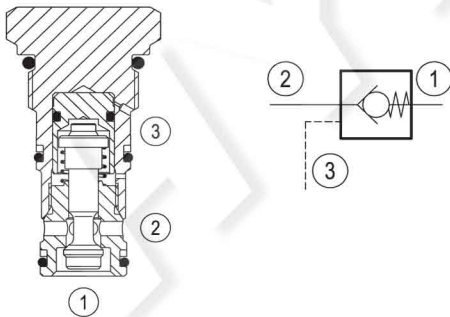


Description

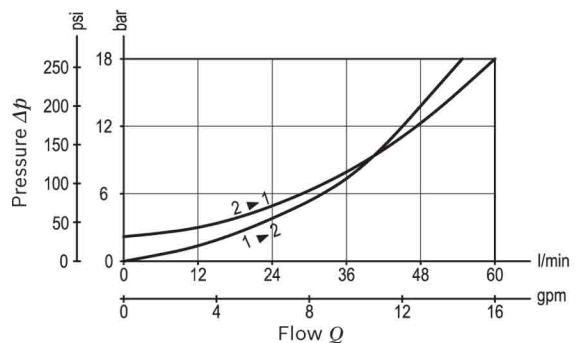
When pressure at 2 rises above the spring bias pressure, the poppet is pushed from its seat and flow is allowed from 2 to 1. The valve is normally closed (checked) from 1 to 2. When sufficient pilot pressure is present at port 3, the pilot piston acts to push the poppet from its seat and flow is allowed from 1 to 2. Precision machining and hardening processes allow virtually leak-free performance in the checked condition.

Technical data	
Max. operating pressure	350 bar (5000 psi)
Max. flow	60 l/min. (16 gpm)
Pilot ratio	3.2:1
Max. internal leakage	5 drops/min.
Fluid temperature range	-30 to 100 °C (-22 to 212 °F)
Installation torque	41 - 47 Nm (30 - 35 ft-lbs)
Weight	0.12 kg (0.27 lbs)
Cavity	CA-10A-3C (see data sheet 18325-70)
Lines bodies and standard assemblies	Please refer to section "Hydraulic integrated circuit" or consult factory
Seal kit ¹⁾ - Buna	Code: RG10A9010520100 material no: R901111367
Seal kit ¹⁾ - Viton	Code: RG10A9040520100 material no: R930006366
Fluids	Mineral-based or synthetics with lubricating properties at viscosities of 5 to 800 mm ² /s (cSt)
Recommended degree of fluid contamination	Nominal value max. 10µm (NAS 8) / ISO 4406 19/17/14
Installation position	No restrictions
Other Technical Data	See data sheet 18350-50

1) Only external seals for 10 valves



Characteristic curve



Ordering code

04.33.05	X	85	Z	*0	*
----------	---	----	---	----	---

Pilot operated check, pilot to open

O-Ring on pilot piston

00 No O-Ring

10 With O-Ring

85 Common cavity, Size 10

Series 0/A to L
unchanged performances and dimensions

V= version Viton
0= version Buna

SPRINGS	
Cracking pressure bar (psi)	
00	2 (30)

Preferred types

Type	Material number
04330500850000A	R901106629
04330510850000A	R901106632
043305108500V00	R930006365

Type	Material number

Dimensions

