

Part number:

HYDROMA

HYDRAULICKÉ SYSTÉMY

**HIDROMA
SISTEMS**

UKŁADY HYDRAULICZNE

HYDROMA

ГИДРАВЛИЧЕСКИЕ СИСТЕМЫ

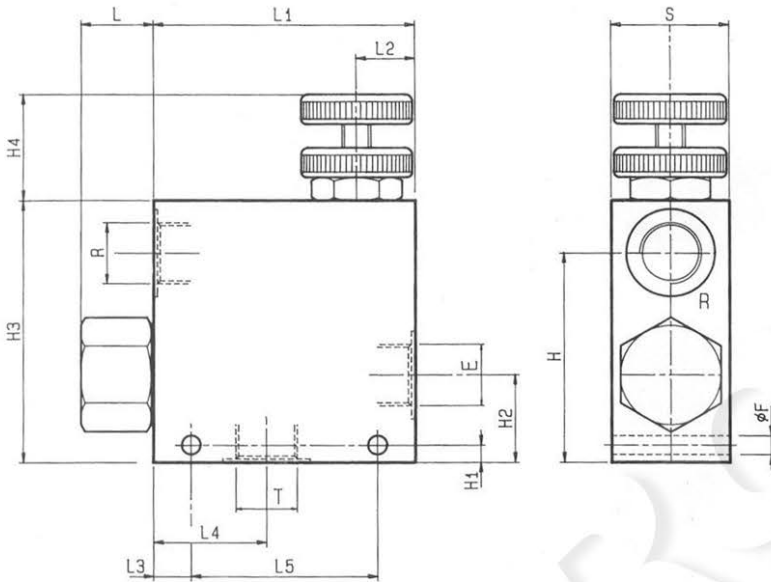
**PRESSURE COMPENSATED FLOW REGULATORS
THREE-WAY BY-PASS TYPE**

VRFC3

DENOMINAZIONE VALVOLA
VALVE DENOMINATION

OM.32.03 - X - Y

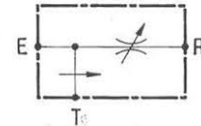
CODICE D'ORDINAZIONE
ORDERING CODE



These flow regulators are pressure compensated and limit the outlet flow from the regulated "R" port at a constant adjustable level, largely independent from load and pressure changes.

They are of the three-way by-pass type; once the regulated flow is established, the surplus flow is diverted to tank from the "T" port. For correct operation, the pressure in the "T" line must never exceed the pressure in the regulated "R" port.

In the reverse direction, from "R" to "E", they act as a fixed non compensated orifice. Filtration level: 25 micron or better. Flow range adjustment: 0-3 turns.



Pressione di lavoro max 210 bar

Max working pressure 210 bar

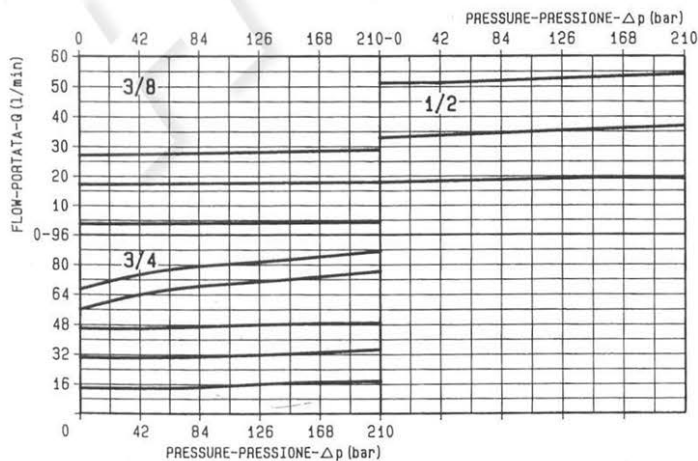
50	88	44	10	30	110	22	40	110	35	7	87	8,5	90	150	3/4"	1,95
40	64	39	13	20	90	25	40	90	30	6	72	6,5	55	90	1/2"	1,06
40	64	39	13	20	90	25	40	90	30	6	72	6,5	30	55	3/8"	1,06
S	L5	L4	L3	L2	L1	L	H4	H3	H2	H1	H	F	QR	QE	Y	peso kg weight kg

QE = Portata max in entrata "E" - l/min.

GR = Portata max in uscita regolata "R" - l/min.

QE = Max. admitted inlet flow "E" port - l/min.

GR = Max. delivery in regulated flow "R" port - l/min.



X	REGOLAZIONI ADJUSTMENTS	
70	volantino e controvolantino handknob and locknut	
80	vite screw and lock nut	
40	manopola graduata graduated handknob	

Y	ATTACCHI / PORT SIZE	
E - R - T		
02	3/8" BSPP	
03	1/2" BSPP	
04	3/4" BSPP	