

Part number:

006-10107

HYDROMA

HYDRAULICKÉ SYSTÉMY

**HIDROMA
SISTEMS**

UKŁADY HYDRAULICZNE

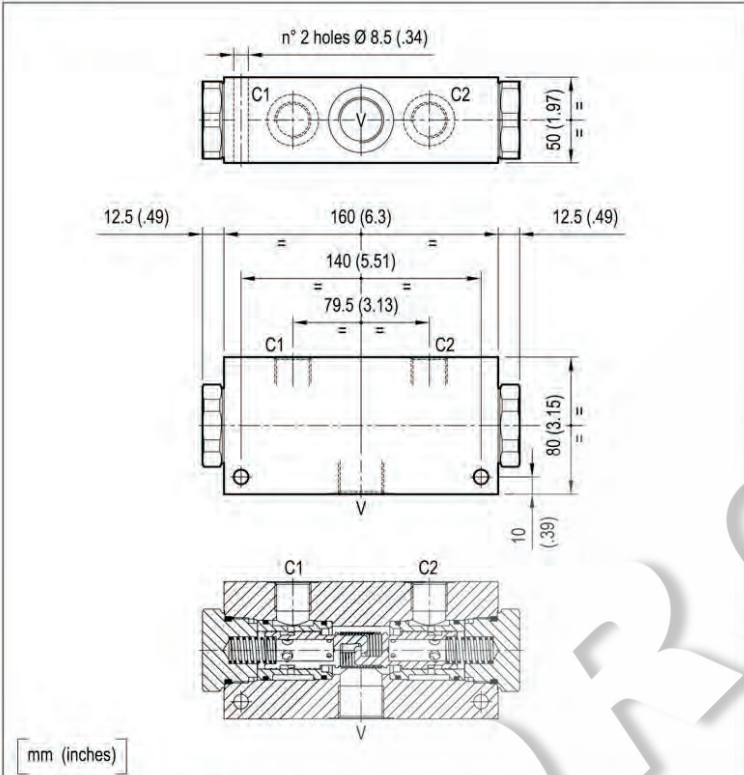
HYDROMA

ГИДРАВЛИЧЕСКИЕ СИСТЕМЫ

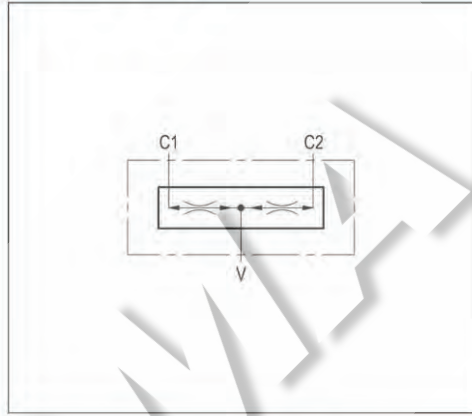
FLOW DIVIDER, COMBINER

A-DRF

0M.E1.03.90.04 - Z



This valve gives division of input flow from V to C1-C2, and re-combines flows in reverse direction from C1-C2 to V. The ratio between the flows through C1 and through C2 is maintained constant (typically 50% / 50%) over a wide range of pressure variations and of pressure imbalance in order to synchronize the motion of 2 actuators in both forward and reverse directions. In flow division mode, should either C1 or C2 be blocked, approximately 1-2% of the available flow can be forced through the port still open.



TECHNICAL DATA

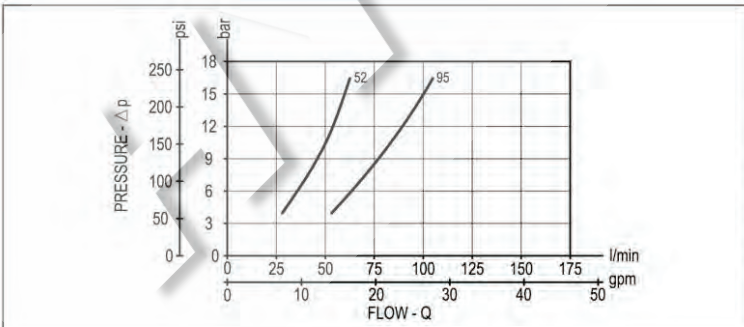
Max. operating pressure: 350 bar (5000 psi)

Weight: 4.5 kg (9.9 lbs)

Steel body

Flow division ratio: 50%-50%

For any chosen inlet flow capacity (refer to table Z), the slippage, or the difference from theoretical value between the divided flows, depends from the inlet flow, and is lowest in the top portion of the selected range: generally it never exceeds $\pm 3\%$.



PORT SIZE

	V	C1 - C2
	G 3/4	G 1/2

Y INLET CAPACITY

52	28 to 55 l/min (7.4 to 14.53 gpm)
95	56 to 95 l/min (14.8 to 25.1 gpm)