

Part number:

**020-10024**

**HYDROMA**

HYDRAULICKÉ SYSTÉMY

**HIDROMA  
SISTEMS**

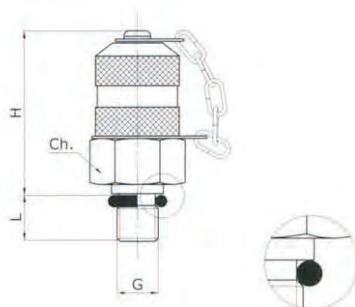
UKŁADY HYDRAULICZNE

**HYDROMA**

ГИДРАВЛИЧЕСКИЕ СИСТЕМЫ

## Miniprese prova pressione

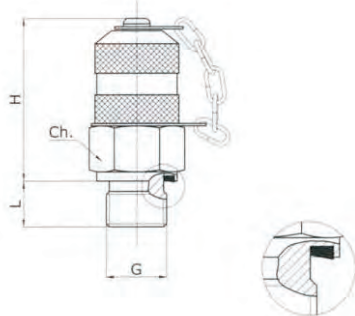
*Test couplings for pressure checking*



Miniprese filettate:  
METRICA CILINDRICA (UNI 4535-64)  
UNF (SAE J514)

Threaded test couplings:  
METRIC PARALLEL (UNI 4535-64)  
UNF (SAE J514)

G	H	L	Ch	PN bar	Tenuta / Seal	Codice / Ref.
M 8x1	37	8,5	17	250	O-Ring type A	0108X10C
M 10x1	37	8,5	17	630	O-Ring type A	0110X10C
M 10x1,25	37	9	17	630	O-Ring type A	0110X12C
M 14x1,5	37	10	19	630	O-Ring type A	0114X15C
7/16"-20 UNF	37	9	17	630	O-Ring type E	0171X20C
1/2"-20 UNF	37	10	17	630	O-Ring type E	0112X20C
→ 9/16"-18 UNF	37	10	19	630	O-Ring type E	0191X18C
3/4"-16 UNF	37	14	22	630	O-Ring type E	0134X16C



Miniprese filettate:  
METRICA CILINDRICA (UNI 4535-64),  
GAS CILINDRICA (UNI ISO 228)

Threaded test couplings:  
METRIC PARALLEL (UNI 4535-64),  
B.S.P PARALLEL (UNI ISO 228)

G	H	L	Ch	PN bar	Tenuta / Seal	Codice / Ref.
M 10x1	37	8	17	630	Type C	0410X10C
M 12x1,5	37	10	17	630	Type C	0612X15C
M 14x1,5	37	12	19	630	Type C	0614X15C
M16x1,5	37	12	22	630	Type C	0616X15C
ISO 228 G 1/8"	37	8	17	630	Type C	0718G00C
ISO 228 G 1/4**	37	12	19	630	Type C	0714G00C
ISO 228 G 1/4***	37	12	19	630	Type C	0714G0A1
ISO 228 G 1/4***	37	12	19	630	Type C	0714G50C
ISO 228 G 3/8"	37	14	22	630	Type C	0738G00C
ISO 228 G 1/2"	37	15	27	630	Type C	0712G00C

\* Disponibile con connessione avvitabile M 16x1,5 / Available with threaded connection M16x1,5

\*\* AISI 316

\*\*\* Valvola a pistone / Poppet valve