

Part number:

HYDROMA

HYDRAULICKÉ SYSTÉMY

**HIDROMA
SISTEMS**

UKŁADY HYDRAULICZNE

HYDROMA

ГИДРАВЛИЧЕСКИЕ СИСТЕМЫ

Dual counterbalance, with brake release port

A-VBSO-DE-VF-30

08.44.10 - X - Y - Z

RE 18308-53

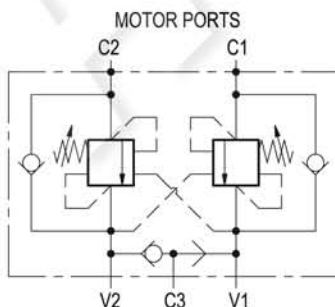
Edition: 03.2016

Replaces: 04.2010



Description

It provides static and dynamic motion control by regulating the flow IN and OUT of the hydraulic motor, through ports C1 and C2. It includes 2 sections, each one composed by a check and a relief valve pilot assisted by pressure in the opposite line: the check allows free flow into the motor, then locks and prevents reverse movement. With pilot pressure applied at the line across, the pressure setting of the relief is reduced in proportion to the stated ratio until opening and allowing controlled reverse motion. With motor turning and without pilot pressure, the relief function builds up back-pressure at the motor port in order to stop the motion. Back-pressure at V1 or V2 is additive to the pressure setting in all functions. Through port C3, a shuttle valve directs either V1 or V2 line pressure to the spring actuated brake for brake releasing.

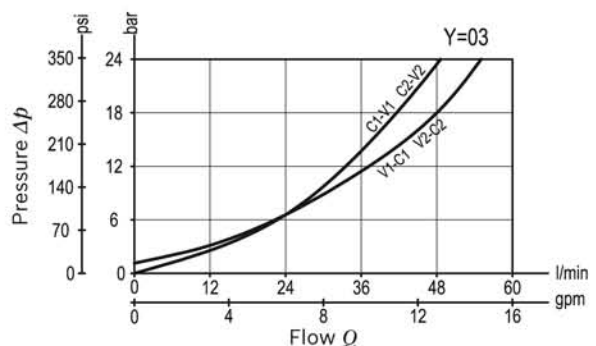


Technical data

Max. operating pressure	410 bar (5945 psi)
Max. flow	60 l/min. (16 gpm)
Weight	see "Dimensions"
Manifold material	Zinc plated steel
Fluid	Mineral oil (HL, HLP) according DIN 51524
Fluid temperature range	-30 °C to 100 (-22 to 212 °F)
Viscosity range	5 to 800 mm ² /s (cSt)
Recommended degree of fluid contamination	Class 19/17/14 according to ISO 4406
Other technical data	see data sheet 18350-50
Relief setting:	at least 1.3 times the highest expected load.

Note: for applications outside these parameters, please consult us.

Characteristic curve



Ordering code

08.44.10	X	Y	Z
-----------------	----------	----------	----------

Dual counterbalance
with brake release port

Pilot ratio

03 4.2:1

85 11:1

Port sizes	V1 - V2	C1 - C2	C3
02	G 3/8	G 3/8	G 1/4
03	G 1/2	G 1/2	G 1/4

		SPRINGS		
		Adj. pressure range bar (psi)	Pres. increase bar/turn (psi/turn)	Std. setting Q=5 (l/min) bar (psi)
20	for X=03	60-210 (870-3000)	56 (812)	200 (2900)
	for X=85	60-350 (870-5000)	70 (1015)	250 (3600)
35	for X=03	180-350 (2610-5000)	138 (2001)	350 (5000)
	for X=85	60-350 (870-5000)	70 (1015)	350 (5000)

Pressure setting up to 410 bar: code on request.

Tamper resistant cap
ordering code 11.04.23.002
Mat. no. R930000752

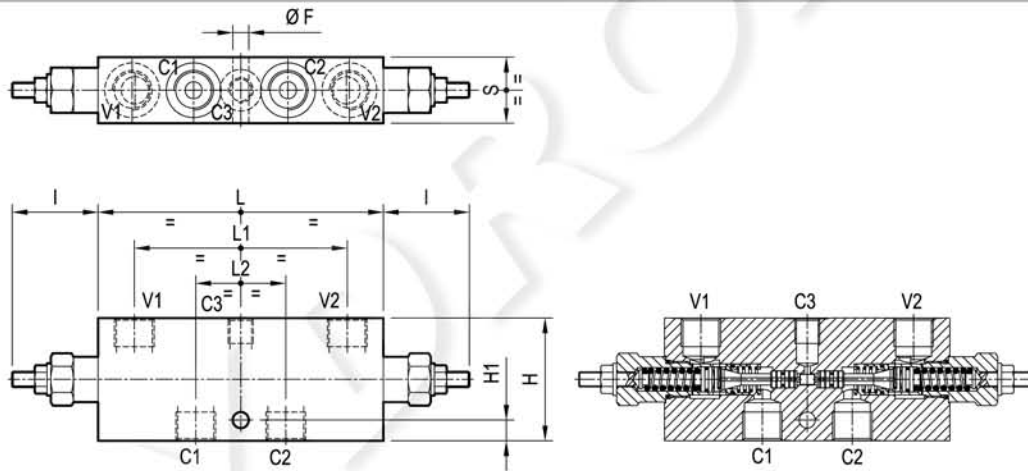


Preferred types

Type	Material number
08441003022000A	R930003382
084410030235000	R930006149
08441085022000A	R930003385
084410030335000	R930003384

Type	Material number
08441003032000A	R930003383
084410850235000	R930001956
08441085032000A	R930003386
084410850335000	R930003387

Dimensions



35	47.6	112.6	151	45.5	11	65	8.5										G 1/2	2.5
(1.38)	(1.87)	(4.43)	(5.95)	(1.79)	(0.43)	(2.56)	(0.34)											(5.5)
30	47.6	109.6	151	45.5	8.5	55	8.5											1.88
(1.18)	(1.87)	(4.32)	(5.95)	(1.79)	(0.34)	(2.17)	(0.34)											(4.1)
S	L2	L1	L	I	H1	H	F											Weight
																		kg (lbs)