

Part number:

[Empty box for part number]

HYDROMA

HYDRAULICKÉ SYSTÉMY

**HIDROMA
SYSTEMS**

UKŁADY HYDRAULICZNE

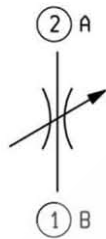
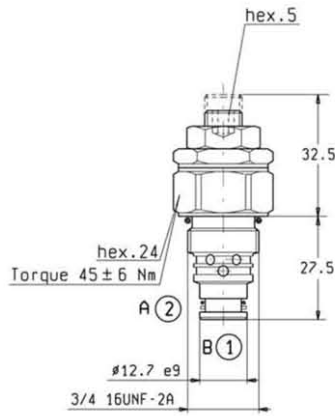
HYDROMA

ГИДРАВЛИЧЕСКИЕ СИСТЕМЫ

**FLOW CONTROL VALVES
CARTRIDGE RESTRICTORS**

ST-C-06

OD.21.01 - X - 56



DESCRIPTION

These simple cartridge valves are used to control or restrict flow when pressure compensation is not needed.

OPERATION

Orifice adjustment from fully closed to fully open condition is obtained with 5 turns counterclockwise rotation.

FEATURES - RATINGS

Maximum Operating Pressure

350 bar

Rated Flow

40 l/min

- Cavity - Tooling (page 7.01.10) : 018-E
- Weight : 0.090 kg
- Fluids - Temperatures - Testing Conditions - Seals : see page 7.01.04
- Internal Leakage : see page 7.01.04
- Filtration : 25 μm nominal or better, see page 7.01.05
- Adjustment Torque : 1 Nm at 10 bar - 5 Nm at 350 bar
- Mounting Position : unrestricted

ORDERING OPTIONS

Socket Screw

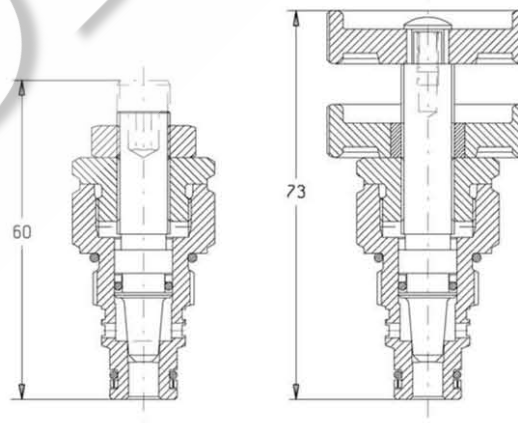
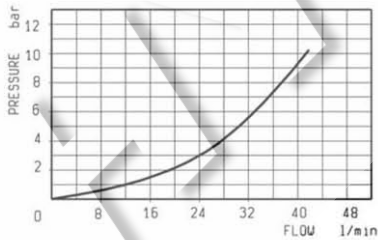
X = 03

Handknob and Locknut

X = 04

PRESSURE DROP

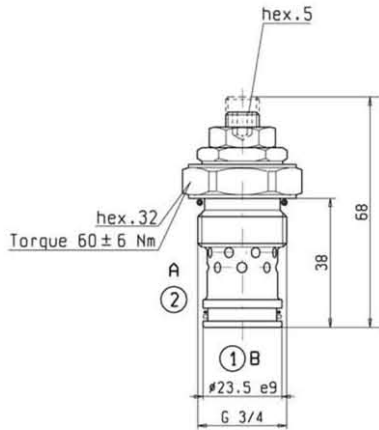
FULLY OPEN RESTRICTOR - FLOW IN BOTH DIRECTIONS



**FLOW CONTROL VALVES
CARTRIDGE RESTRICTORS**

ST-C-09

OD.21.01 - X - 04



DESCRIPTION

These simple cartridge valves are used to control or restrict flow when pressure compensation is not needed.

OPERATION

Orifice adjustment from fully closed to fully open condition is obtained with 6 turns counterclockwise rotation.

FEATURES - RATINGS

Maximum Operating Pressure 350 bar

Rated Flow 70 l/min

- Cavity - Tooling (page 7.01.10) : 017-E
- Weight : 0.180 kg
- Fluids - Temperatures - Testing Conditions - Seals : see page 7.01.04
- Internal Leakage : see page 7.01.04
- Filtration : 25 µm nominal or better, see page 7.01.05
- Adjustment Torque : 1 Nm at 10 bar - 10 Nm at 350 bar
- Mounting Position : unrestricted



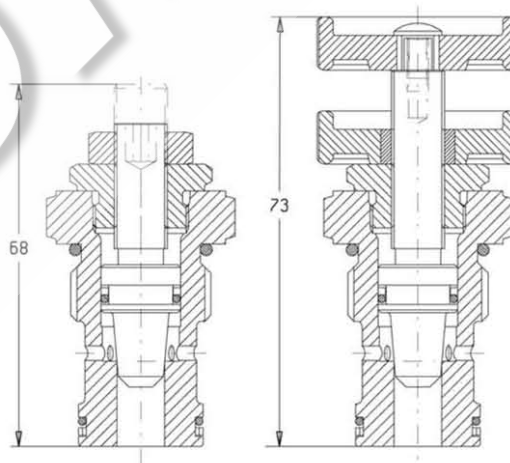
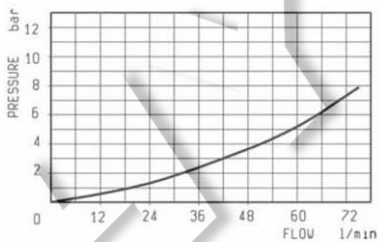
ORDERING OPTIONS

Socket Screw X = 03

Handknob and Locknut X = 04

PRESSURE DROP

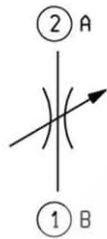
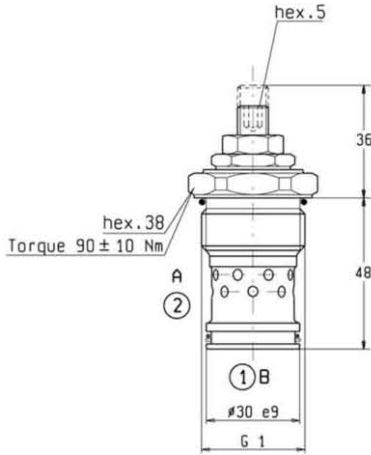
FULLY OPEN RESTRICTOR - FLOW IN BOTH DIRECTIONS



**FLOW CONTROL VALVES
CARTRIDGE RESTRICTORS**

ST-C-12

OD.21.01 - X - 05



DESCRIPTION

These simple cartridge valves are used to control or restrict flow when pressure compensation is not needed.

OPERATION

Orifice adjustment from fully closed to fully open condition is obtained with 8 turns counterclockwise rotation.

FEATURES - RATINGS

Maximum Operating Pressure 350 bar
Rated Flow 150 l/min

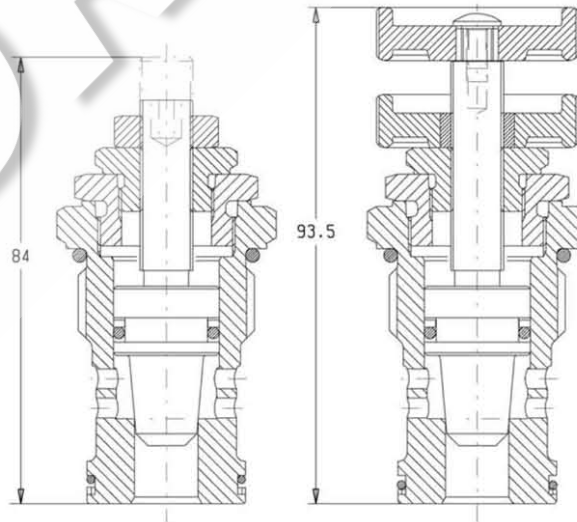
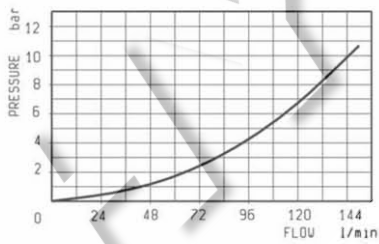
- Cavity - Tooling (page 7.01.11) : 021-E
- Weight : 0.310 kg
- Fluids - Temperatures - Testing Conditions - Seals : see page 7.01.04
- Internal Leakage : see page 7.01.04
- Filtration : 25 μ m nominal or better, see page 7.01.05
- Adjustment Torque : 1 Nm at 10 bar - 18 Nm at 350 bar
- Mounting Position : unrestricted

ORDERING OPTIONS

Socket Screw X = 03
Handknob and Locknut X = 04

PRESSURE DROP

FULLY OPEN RESTRICTOR - FLOW IN BOTH DIRECTIONS



FLOW CONTROL VALVES
CARTRIDGE RESTRICTORS WITH REVERSE FLOW CHECK

ST-CU-06

OD.21.04.18 - X - 00

DESCRIPTION

Simple but reliable cartridge flow restrictors with reverse flow check. Hardened parts ensure long life and virtually zero leakage is obtained thanks to positive shut-off. Poppet design provides fine and linear adjustment.

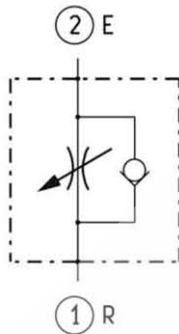
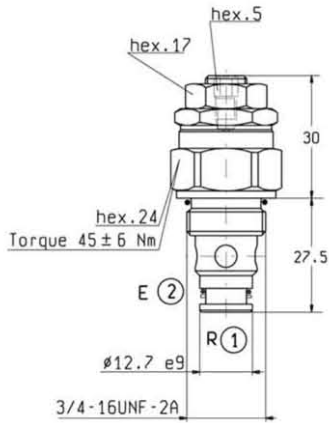
OPERATION

These valves can regulate or block flow from E to R while allowing free reverse flow from R to E. Adjustment from fully closed to fully open condition is obtained with 5 turns counterclockwise rotation.

FEATURES - RATINGS

Maximum Operating Pressure **350 bar**
Rated Flow **40 l/min**

- Cavity - Tooling (page 7.01.10) : 018-E
- Weight : 0.130 kg
- Fluids - Temperatures - Testing Conditions - Seals : see page 7.01.04
- Internal Leakage : see page 7.01.04
- Filtration : 25 µm nominal or better, see page 7.01.05
- Adjustment Torque : 2 Nm at 10 bar - 4 Nm at 350 bar
- Mounting Position : unrestricted



ORDERING OPTIONS

Socket Screw **X = 03**
Handknob and Locknut **X = 04**

PRESSURE DROP

