

Part number:

HYDROMA

HYDRAULICKÉ SYSTÉMY

**HIDROMA
SISTEMS**

UKŁADY HYDRAULICZNE

HYDROMA

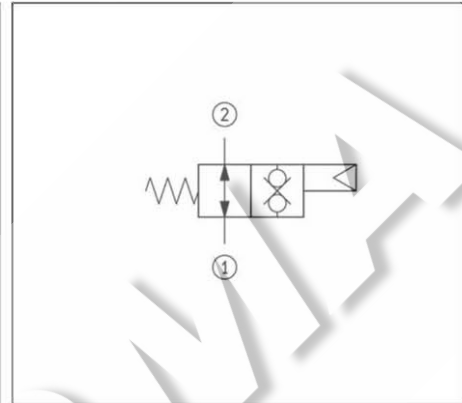
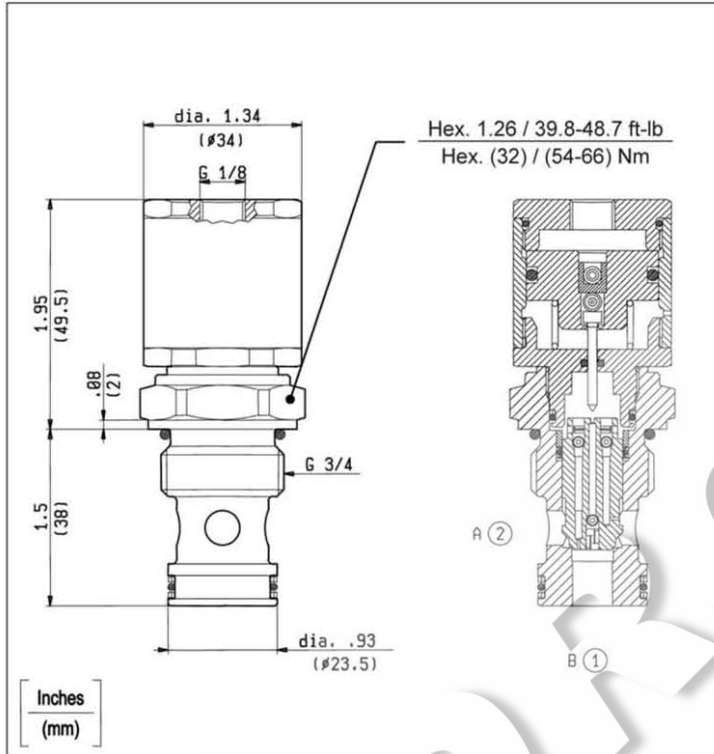
ГИДРАВЛИЧЕСКИЕ СИСТЕМЫ

**DIRECTIONAL CONTROL VALVES
PNEUMATIC OPERATED POPPET 2-WAY DOUBLE LOCK
NORMALLY OPEN SPECIAL CAVITY**

VPI-8A-2T-09-NA-S

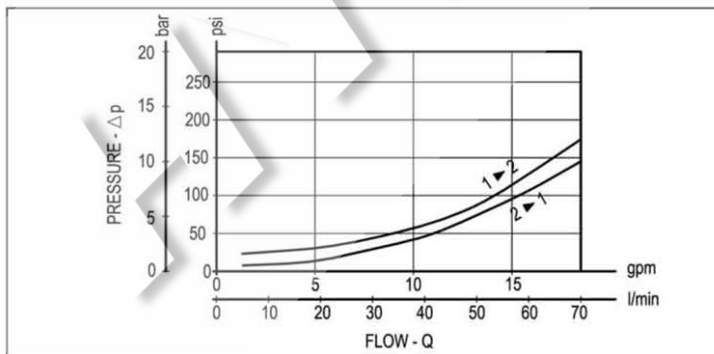
017-E

OD.65.32.17.14.00



TECHNICAL DATA

Maximum Operating Pressure	5000 psi (350 bar)
Rated Flow	19 gpm (70 l/min)
Cavity - Tooling (017-E)	page CT.S.006.U
Line bodies	page MN2.S...
Weight	0.750 lbs (0.340 kg)
Fluids - Temperatures	page 7.01.040
Testing Conditions - Seals	page 7.01.040
Internal Leakage	page 7.01.040
Filtration : 25 µm nominal or better	page 7.01.050
Mounting Position	unrestricted



PILOT PRESSURE		
MIN.	psi (bar)	MAX.
58 (4)		218 (15)