

Part number:

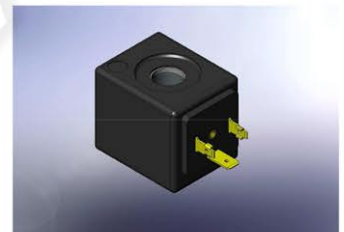
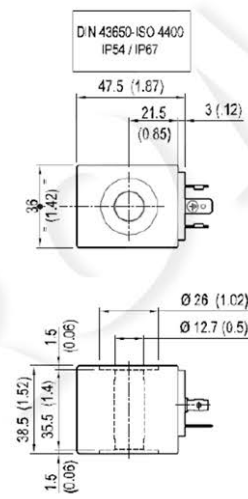
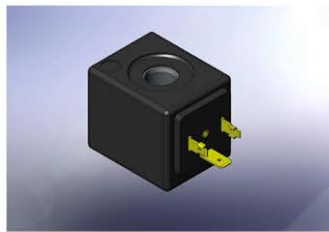
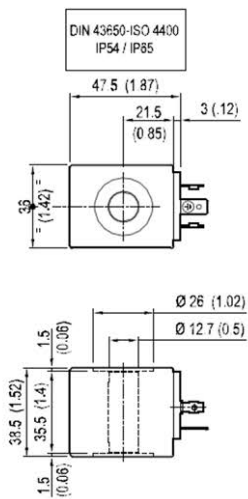
Dear Sirs,

We are pleased to inform you that we have updated our products range with the introduction of new S8-356 230 RAC and 230 AC coils, that will replace the old types S8-356 220 RAC and 220 AC.

Functionality as well as overall dimensions will be completely unchanged; connectors to be applied are the ones already in the catalogue for voltage of 230 V.

New coil models will be introduced in the market according with new parts number showed in the table here below.

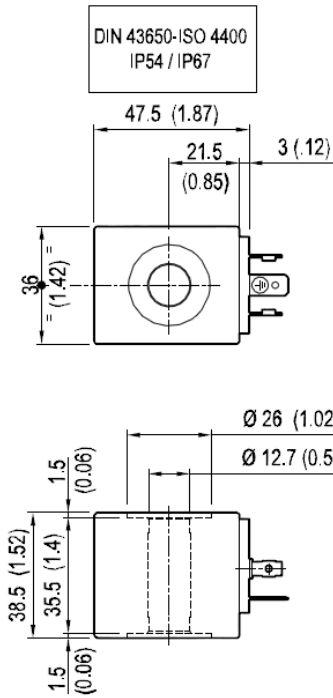
PHASED OUT COILS	DESCRIPTION	PHASE IN COILS	DESCRIPTION
OD02170130OZ00 (R901085466)	coil S8-356 - Class H - 20W - 220 RAC	OD02280130GA000 (R934004894)	coil S8-356 - Class H - 20W - 230 RAC
OD02170130OF00 (R934003030)	coil S8-356 - Class H - 20W - 220 AC	OD02280130GV000 (R934004895)	coil S8-356 - Class H - 20W - 230 AC



# Coils - Connectors

COIL S8-356 - G2 - CLASS H - 19.5 W

OD.02.28 - X - Y - Z



**TECHNICAL DATA**

Weight DC: 0.20 kg (0.44 lbs)  
 Weight RAC: 0.19 kg (0.42 lbs)  
 Heat insulation Class H: 180°C (356°F)  
 Ambient temperature range: -30/+60°C (-22/+140°F)  
 Inlet voltage fluctuations must not exceed ±10%

X	Y	Connections	Circuit	Voltage
01	30	DIN 43650 - ISO 4400	Standard	DC - RAC

Z	Voltage V	Resistance Ohm (±7%)	Power W			ΔT °C (°F) 1 hour energized at Ta=20-25°C (68-77°F) Nominal voltage
	Nominal	Ta = 20-25°C (68-77°F)	Cold coil	Cold coil	Hot coil	
GV	230 DC	2697.73	19.5	* 0.075	* 0.058	95-100 (205-215)
GA	230 RAC	2179.39	19.5	* 0.087	* 0.064	

\* Note: current valves with Ta= 60 °C (140 °F)

[ mm / inches ]

Preferred types (readily available)

Type	Material number
OD02280130GA00	R934004894
OD02280130GV00	R934004895

Type	Material number

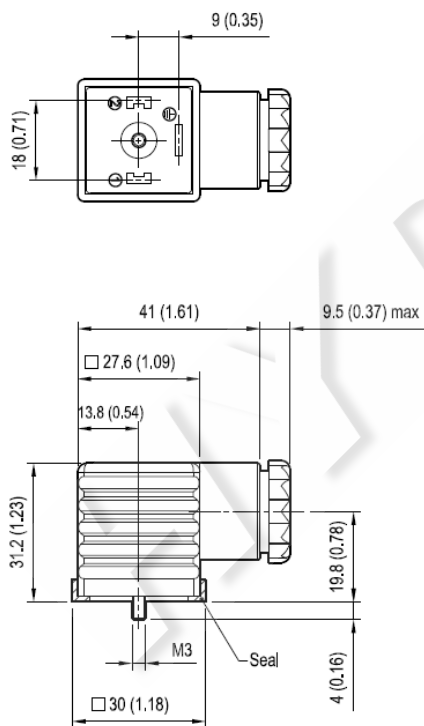
Further types available by request

# Coils - Connectors

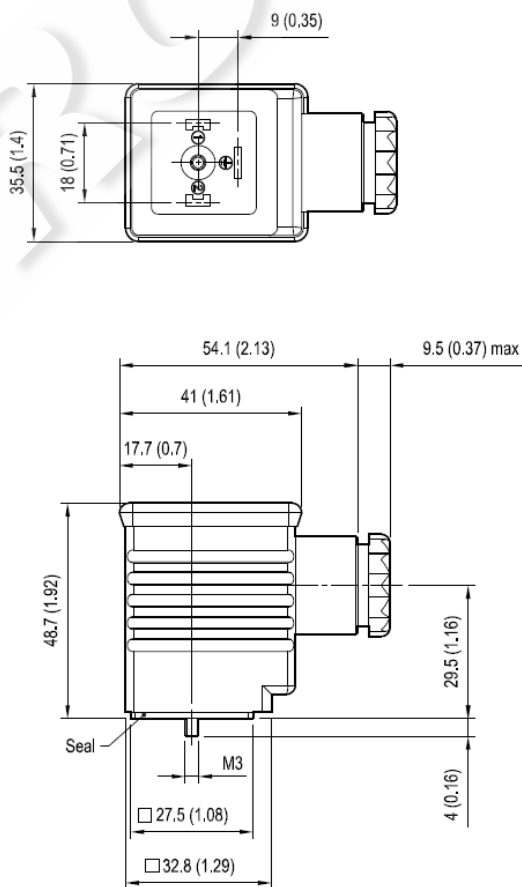
CONNECTOR IP67 - EN 175000 (DIN 4350-A) / ISO 4400

Ambient temperature	- Standard	°C	- 20 to + 100
	-With indicator lamp/rectifier	°C	-20 to + 60
Type of protection according to DIN 40050	IP67 with cable socket mounted and locked		
Operating voltage		V	Choose the proper ordering code according to the circuit
Maximum operating current	- Standard	A	16
	- With rectifier	A	1 or 3
Current consumption of LED		mA	approx. 10
LED	Red		
Number of pins	2 + PE		
Clamping range for cables having an outer diameter of		mm	5, up to 10
Cable entry	Pg9 / Pg11 (unified)		
Maximum cable cross-section		mm <sup>2</sup>	1.5

Type 1



Type 2

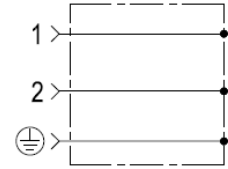


[ mm / Inches ]

# Coils - Connectors

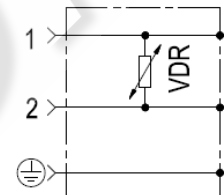
CONNECTOR IP67 - EN 175000 (DIN 4350-A) / ISO 4400

## STANDARD CIRCUIT



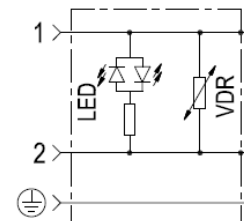
Colour	Valve side	Cable entry	Type connector	Code	Material number
black	B	Pg9 / Pg11	type 1	OD016901000000	R934004344
grey	A	Pg9 / Pg11	type 1	OD016901000003	R934004346

## CIRCUIT WITH VDR



Voltage V	Colour	Valve side	Cable entry	Type connector	Code	Material number
12	black	A/B	Pg9 / Pg11	type 1	OD016907000B00	R934004361
24	black	A/B	Pg9 / Pg11	type 1	OD016907000C00	R934004362
115	black	A/B	Pg9 / Pg11	type 1	OD016907000E00	R934004363
230	black	A/B	Pg9 / Pg11	type 1	OD016907000F00	R934004364

## CIRCUIT WITH VDR + LED

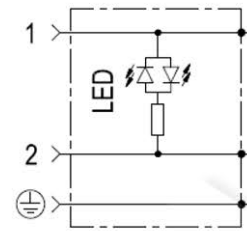


Voltage V	Colour	Valve side	Cable entry	Led colour	Type connector	Code	Material number
12	transparent	A/B	Pg9 / Pg11	red	type 1	OD016921000B00	R934004370
24	transparent	A/B	Pg9 / Pg11	red	type 1	OD016921000C00	R934004371

# Coils - Connectors

CONNECTOR IP67 - EN 175000 (DIN 4350-A) / ISO 4400

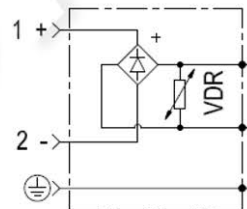
## CIRCUIT WITH LED



Voltage V	Colour	Valve side	Cable entry	Led colour	Type connector	Code	Material number
						AC	DC
12	transparent	A/B	Pg9 / Pg11	red	type 1	OD01690300OB00	R934004354
24	transparent	A/B	Pg9 / Pg11	red	type 1	OD01690300OC00	R934004355
230	transparent	A/B	Pg9 / Pg11	red	type 1	OD01690300OF00	R934004356

## CIRCUIT WITH VDR + WAVE RECTIFIER

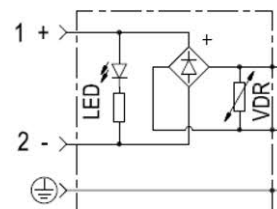
Note: for diode with capacity max 1 Amp,  
suitable only for S8-356 coils.



Voltage V	Diode Capacity I max	Colour	Valve side	Cable entry	Type connector	Code	Material number
						AC	DC
115	1 A	black	A/B	Pg9 / Pg11	type 1	OD01690201OW00	R934004352
230	1 A	black	A/B	Pg9 / Pg11	type 1	OD01690201OZ00	R934004353
24	3 A	black	A/B	Pg9 / Pg11	type 2	OD01690200OV00	R934004349
115	3 A	black	A/B	Pg9 / Pg11	type 2	OD01690200OW00	R934004350
230	3 A	black	A/B	Pg9 / Pg11	type 2	OD01690200OZ00	R934004351

## CIRCUIT WITH VDR + WAVE RECTIFIER + LED

Note: for diode with capacity max 1 Amp,  
suitable only for S8-356 coils.



Voltage V	Diode Capacity I max	Colour	Valve side	Cable entry	Led colour	Type connector	Code	Material number
							AC	DC
115	1 A	transparent	A/B	Pg9 / Pg11	red	type 1	OD01691901OW00	R934004369
230	3 A	transparent	A/B	Pg9 / Pg11	red	type 2	OD01691900OZ00	R934004367