

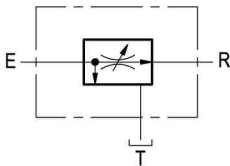
Part number:

Flow regulator, 3-way, pressure compensated



VRFC3

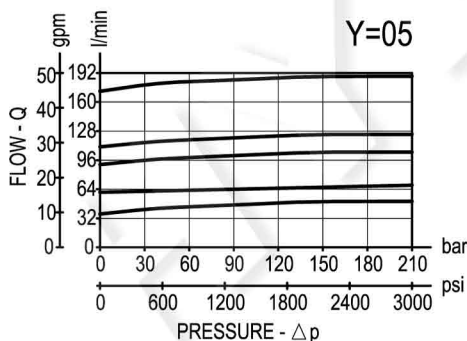
0M.32.03 - X - 05



Description

A constant flow rate, regardless of system pressures, is established from E to R, while a minimum pressure differential of appr. 5 bar (70 psi) exists between the two ports. Input flow supplied to E in excess of the regulated output at R is by-passed to T. Output flow can be varied from closed to the nominal maximum rating for the valve. Reverse flow from R to E is limited by the selected opening of the restrictor and is not pressure compensated. Flow from T to E or from T to R is not possible. Increasing or decreasing inlet flow may cause slight increase or decrease of Regulated flow.

Performance



Technical data

Hydraulic

Operating pressure bar (psi) up to 210 (3000)

QE = max inlet flow "E" port 280 l/min (74 gpm)

QR = max regulated flow "R" port 190 l/min (50 gpm)

Flow range adjustment : 0 - 3 turns

General

Manifold material Aluminium

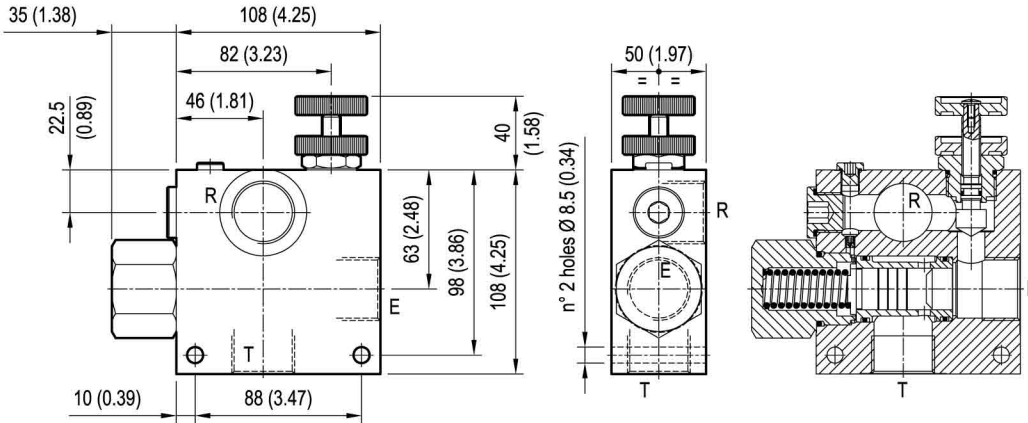
Note: aluminium bodies are often strong enough for operating pressures exceeding 210 bar (3000 psi), depending from the fatigue life expected in the specific application. If in doubt, consult our Service Network.

Weight kg (lbs) 1.95 (4.3)

Fluid temperature range °C (°F) between -30 (-22) and +100 (212)

Other technical data see data sheet RE 18350-50

Dimensions



mm (inches)

Ordering code

OM.32.03 X 05

Flow regulator,
3-way, pressure compensated

Adjustments

| | |
|------------|-----------|
| Port sizes | E - R - T |
| | G 1 |

= 70 Handknob and locknut



= 80 Screw and locknut



= 40 Graduated handknob



| Type | Material number |
|-----------------|-----------------|
| OM3203700500000 | R930004235 |
| OM3203800500000 | R930004245 |
| OM3203400500000 | R930004225 |
| | |
| | |
| | |
| | |
| | |

| Type | Material number |
|------|-----------------|
| | |
| | |
| | |
| | |
| | |
| | |