

Part number:

**HYDROMA**

HYDRAULICKÉ SYSTÉMY

**HIDROMA  
SYSTEMS**

UKŁADY HYDRAULICZNE

**HYDROMA**

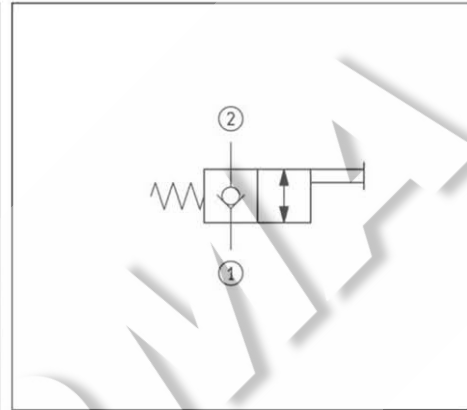
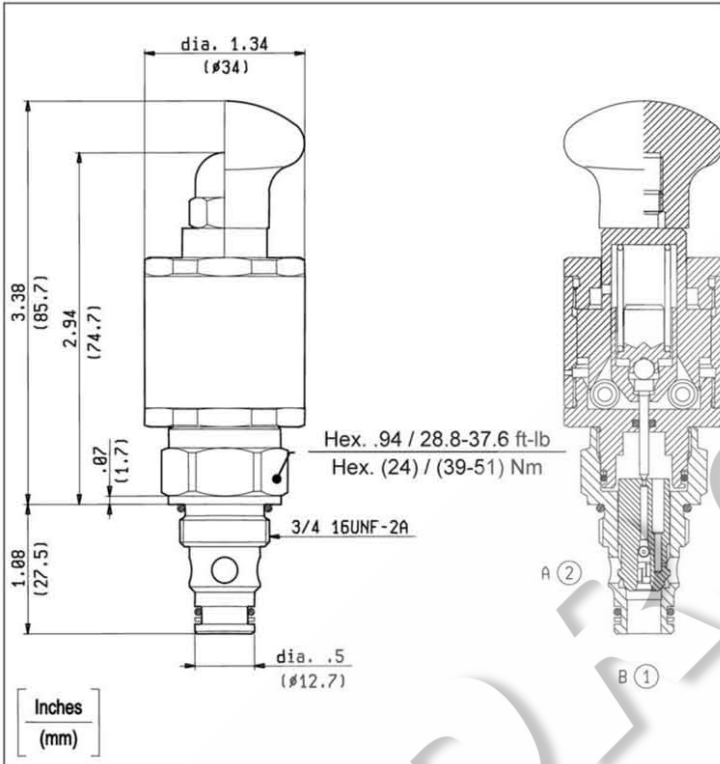
ГИДРАВЛИЧЕСКИЕ СИСТЕМЫ

**DIRECTIONAL CONTROL VALVES  
MANUAL OPERATED POPPET 2-WAY  
NORMALLY CLOSED COMMON CAVITY**

**VMI-8A-2A-06-NC-S**

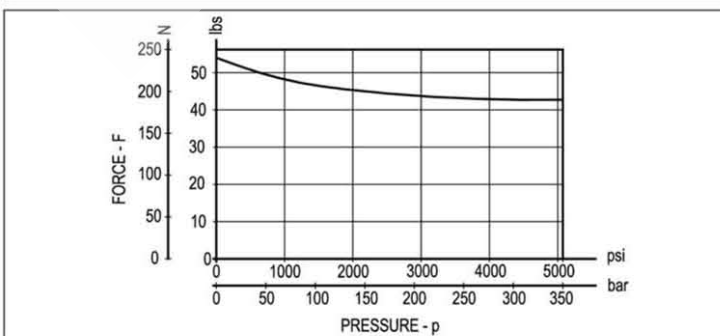
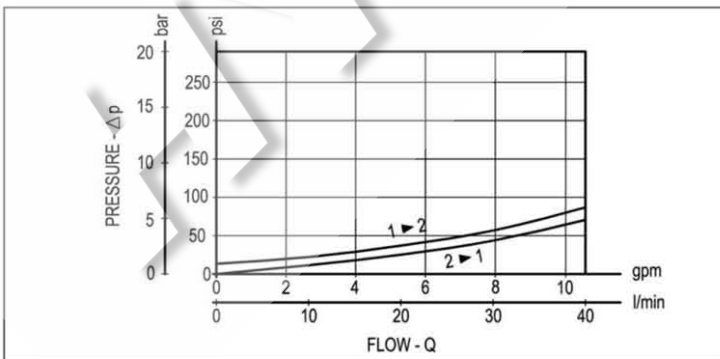
**SIZE 08**

**OD.55.05.18.37 - Z**



**TECHNICAL DATA**

Maximum Operating Pressure	5000 psi (350 bar)
Rated Flow	11 gpm (40 l/min)
Cavity - Tooling (CA-08A-2N)	page CT.A.001.U
Line bodies	page MN2.A...
Weight	0.617 lbs (0.280 kg)
Fluids - Temperatures	page 7.01.040
Testing Conditions - Seals	page 7.01.040
Internal Leakage	page 7.01.040
Filtration : 25 µm nominal or better	page 7.01.050
Mounting Position	unrestricted
Only for cam-operated valves:	
OPERATING STROKE:	(0.12 in) (3 mm)
MAX. OVERSTROKE:	(0.02 in) (0.5 mm)



**Z OPERATION**

**00** Hand-Operated



**01** Cam-Operated

