

Part number:

HYDROMA

HYDRAULICKÉ SYSTÉMY

**HIDROMA
SYSTEMS**

UKŁADY HYDRAULICZNE

HYDROMA

ГИДРАВЛИЧЕСКИЕ СИСТЕМЫ

Manifolds

RE 18325-85/05.23
Replaces: 11.22

1/16

Standard manifolds common cavity
Standard manifolds special cavity
Manifolds with emergency screw
Manifolds with SUN cavity
Manifolds with Rexroth special cavity



General specifications

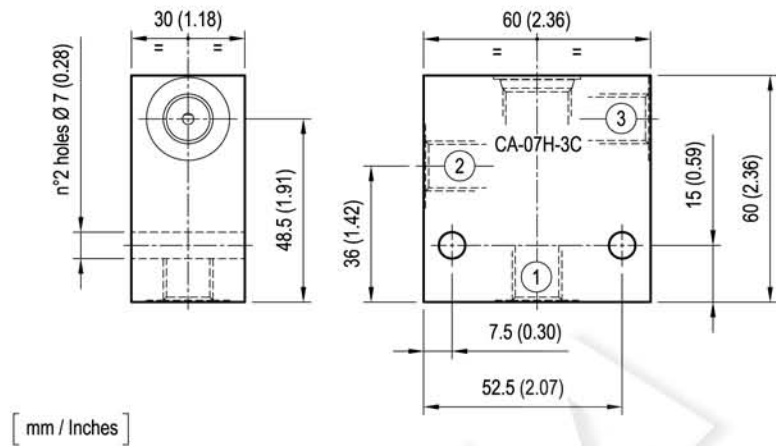
• Max operating pressure for steel body:	350 bar (5000 psi)
• Max operating pressure for high pressure steel body:	500 bar (7250 psi)
• Max operating pressure for aluminium body:	210 bar (3000 psi)

Note: aluminium bodies are often strong enough for operating pressures exceeding 210 bar (3000 psi), depending from the fatigue life expected in the specific application. If in doubt, consult our Service Network.

Standard manifolds - Common cavity Size 07 - Aluminium / Steel

CAVITY: CA-07H-3C

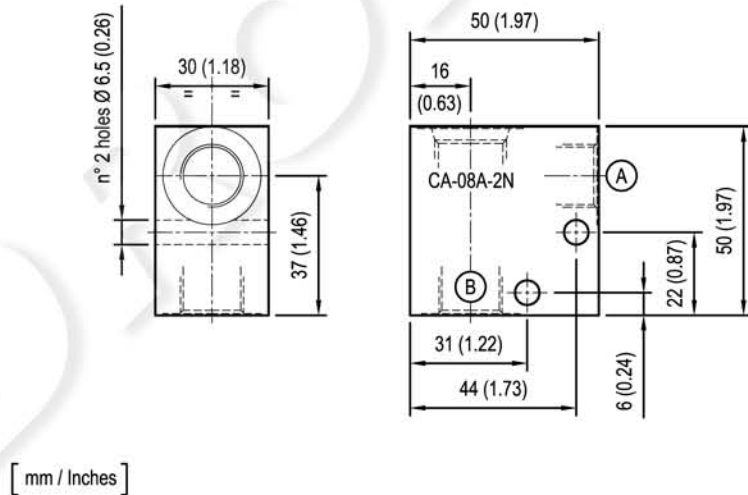
	Ordering code	Ports		Weight kg (lbs)
		1-2	3	
Aluminium	OC1009311 R930057783	G 1/4	G 1/4	0.26 (0.57)
	OC1009312 R930057785	G 3/8	G 1/4	0.25 (0.55)
Steel	OC1009314 R930057787	G 1/4	G 1/4	0.72 (1.59)
	OC1009313 R930057786	G 3/8	G 1/4	0.70 (1.54)



Standard manifolds - Common cavity Size 08 - Aluminium / Steel

CAVITY: CA-08A-2N

	Ordering code	Ports		Weight kg (lbs)
		A-B		
Aluminium	OC1009009 R901090786	G 1/4		0.17 (0.38)
	OC1009004 R901082022	G 3/8		0.16 (0.35)
Steel	OC1009067 R901090800	G 1/4		0.47 (1.04)
	OC1009066 R901090799	G 3/8		0.45 (0.99)



CAVITY: CA-08A-3C

	Ordering code	Ports		Weight kg (lbs)
		1-2	3	
Aluminium	OC1009262 R934000223	G 1/4	G 1/4	0.25 (0.55)
	OC1009260 R934000221	G 3/8	G 1/4	0.25 (0.55)
Steel	OC1009263 R934000224	G 1/4	G 1/4	0.71 (1.57)
	OC1009261 R934000222	G 3/8	G 1/4	0.69 (1.52)

