

Part number:

**006-10128**

**HYDROMA**

HYDRAULICKÉ SYSTÉMY

**HIDROMA  
SYSTEMS**

UKŁADY HYDRAULICZNE

**HYDROMA**

ГИДРАВЛИЧЕСКИЕ СИСТЕМЫ

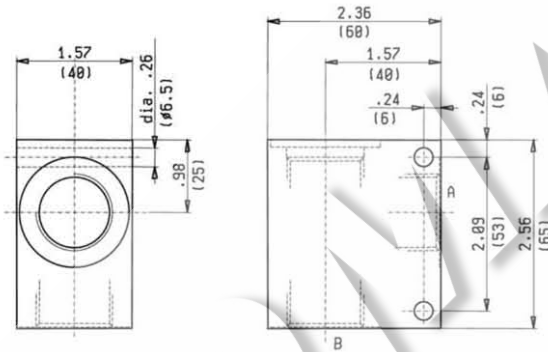
**MANIFOLDS (SECTION 2)  
SPECIAL CAVITY**

**2 WAY STEEL**

Inches  
(mm)

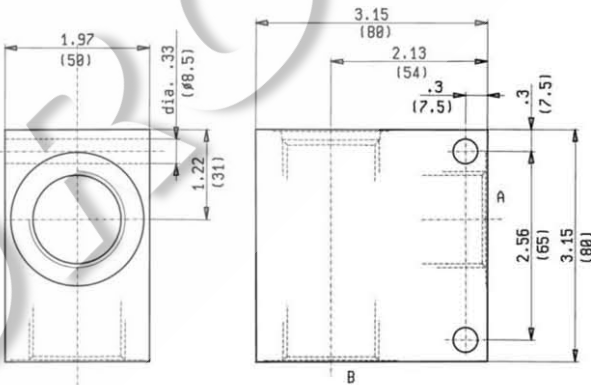
<b>CAVITY</b>	<b>017-E</b>
Dimensions on page	CT.S.005.U

ORDERING CODE	PORTS	WEIGHT
	A-B	Lbs (Kg)
OC.10.09.074	G 1/2	1.984 (0.900)
OC.10.09.073	G 3/4	1.984 (0.900)



<b>CAVITY</b>	<b>021-E</b>
Dimensions on page	CT.S.005.U

ORDERING CODE	PORTS	WEIGHT
	A-B	Lbs (Kg)
OC.10.09.075	G 3/4	2.866 (1.300)
OC.10.09.076	G 1	2.866 (1.300)



<b>MAX. PRESSURE</b>	<b>6500 psi (450 bar)</b>	<b>FEATURES</b>
		These manifolds can be supplied upon request for working pressures up to 6500 psi (450 bar) and for fatigue cycle applications.

Rev.05.05

MN2.S.002.U