

Part number:

006-10020

HYDROMA

HYDRAULICKÉ SYSTÉMY

**HIDROMA
SISTEMS**

UKŁADY HYDRAULICZNE

HYDROMA

ГИДРАВЛИЧЕСКИЕ СИСТЕМЫ

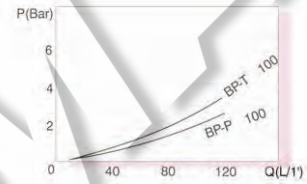
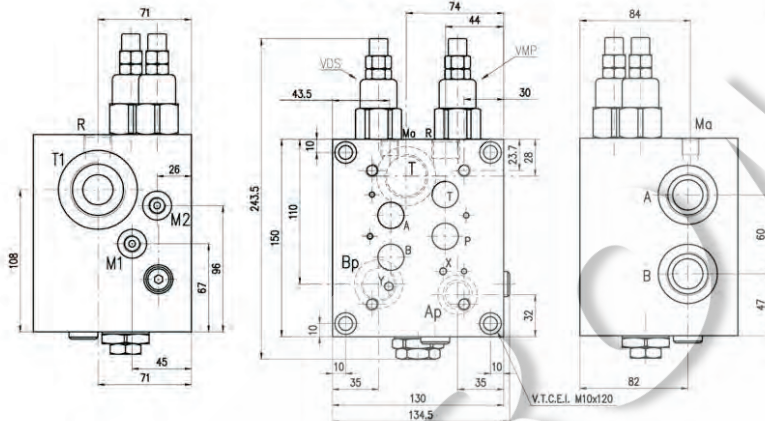
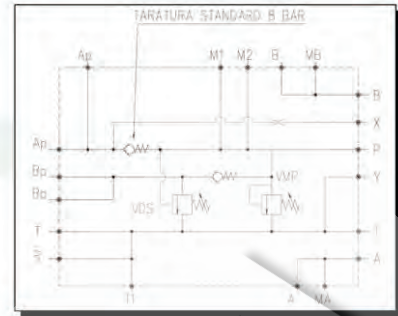
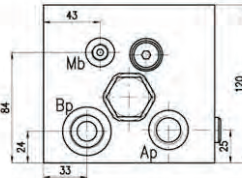


VALVOLE DI ESCLUSIONE ALTA-BASSA PRESSIONE
(BASE "NG 16")
TWO PUMP "HI-LOW" UNLOADING VALVES
(BASE "NG 16")

VEP/FL 16-100

MATERIALI

CORPO: Alluminio (210Bar)-Acciaio(350Bar)
PART.INTERNI: AcciaioCmt-Tmp-Rett

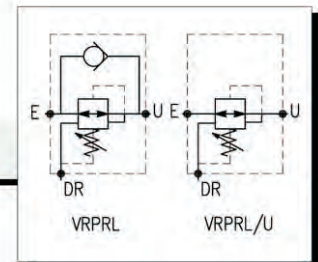


Tipo	A-B	Bp	Ap-R	T1	Ma-Mb-M1-M2	Q (L/1')	molle(Bar)		Ap	Bp
VEP/FL16-100	G 1"	G 3/4"	G 1/2"	G 1" 1/4	G 1/4	30 80 100	50-220 180-350		10-50	10-80 50-110



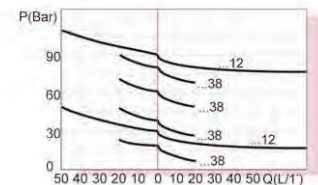
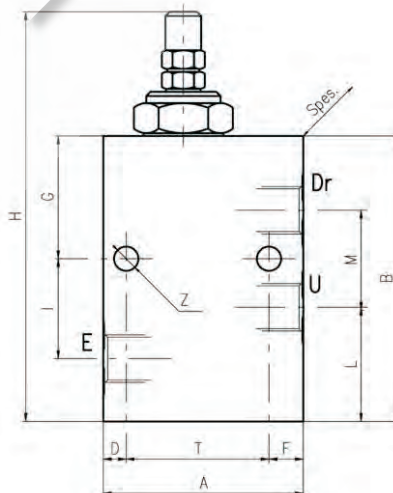
VALVOLERIDUTTRICIDI PRESSIONE
PRESSURE REDUCING VALVES

Tipo VRPRL VRPRL/U



MATERIALI

CORPO: Alluminio (210Bar)-Acciaio(350Bar)
PART.INTERNI: AcciaioCmt-Tmp-Rett



Tipo	E-U	Dr	A	B	Spes.	D	T	F	G	H	I	L	M	Z	Q(L/1')	molle(Bar)		
VRPRL 38	G 3/8	G 3/8	70	100	35	8	50	12	43	132	35	40	34	8,5	20	5-50	40-110	100-200
VRPRL 12	G 1/2	G 1/2	80	105	40	8	64	8	40	137	39,5	46	38	8,5	50			
VRPRL/U 38	G 3/8	G 3/8	70	100	35	8	50	12	43	132	35	40	34	8,5	20	5-50	40-110	100-200
VRPRL/U 12	G 1/2	G 1/2	80	105	40	8	64	8	40	137	39,5	46	38	8,5	50			