

Part number:

006-10354

HYDROMA

HYDRAULICKÉ SYSTÉMY

**HIDROMA
SISTEMS**

UKŁADY HYDRAULICZNE

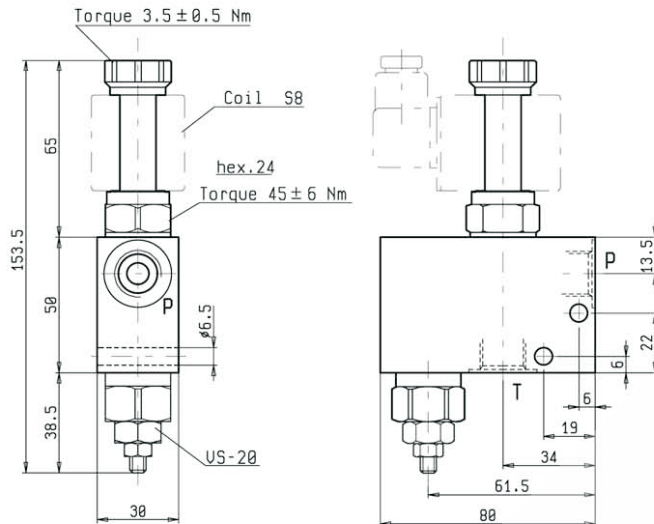
HYDROMA

ГИДРАВЛИЧЕСКИЕ СИСТЕМЫ

**STANDARD INTEGRATED CIRCUITS
RELIEF VALVES WITH SOLENOID OPERATED BY-PASS**

VEI8A-VS-20

OL - K - Y - Z - W - 00



DESCRIPTION - OPERATION

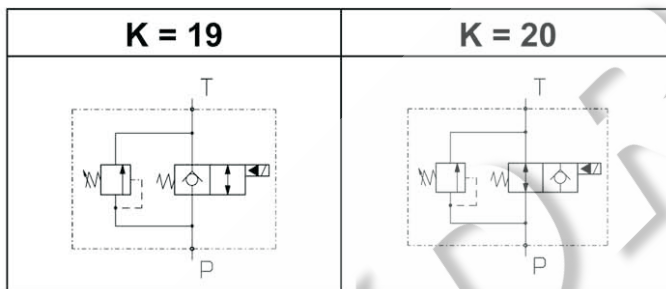
These blocks can be used in circuits where relief protection and solenoid operated by-pass features are required.

FEATURES - RATINGS

Maximum Operating Pressure 250 bar

Rated Flow 20 l/min

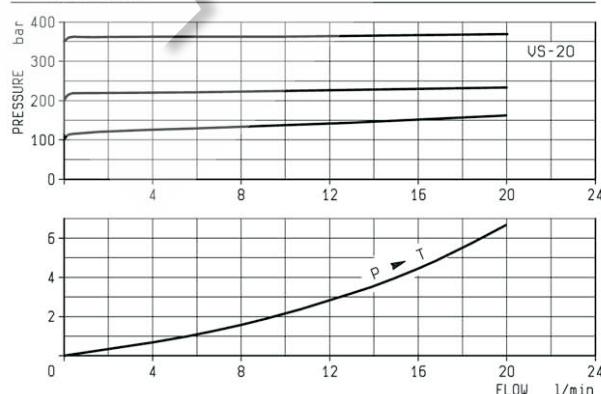
- Weight : 0.530 Kg
- Fluids - Temperatures - Testing Conditions - Seals : see page 7.01.04
- Internal Leakage : see page 7.01.04
- Filtration : 25 µm nominal or better, see page 7.01.05
- Minimum Voltage Required : 90% of nominal
- Coils must be ordered separately, see page 1.71.05
- Response Time : see page 1.11.06 and 1.12.06
- Sealing Cap for Relief Valve : Ordering code 03.05.01.002
- Manifolds in high-strength aluminum for working pressures up to 250 bar.
- Special steel manifolds can be supplied upon request for working pressures up to 350 bar and for fatigue cycle applications with any working pressure.



Y	PORT SIZE P - T
02	G 3/8
09	G 1/4

Z		SPRINGS			
		Adj. press. Range bar	Std. Setting bar (Q=5 l/min)	Ordering code	Colour
04	05	40-150	100	03.51.01.121	blue
07	08	80-210	200	03.51.01.122	green
10	11	150-350	350	03.51.01.132	yellow

PRESSURE DROP



W	MANUAL OVERRIDE OPTIONS	
	K = 19	K = 20
17	/	No Override
18	/	Push Style
19	/	Push and Twist Style
37	No Override	/
47	Knob Style	/