

Part number:

006-10411

**HYDROMA**

HYDRAULICKÉ SYSTÉMY

**HIDROMA  
SYSTEMS**

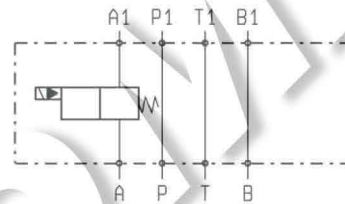
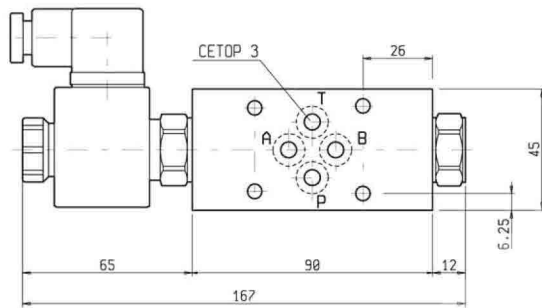
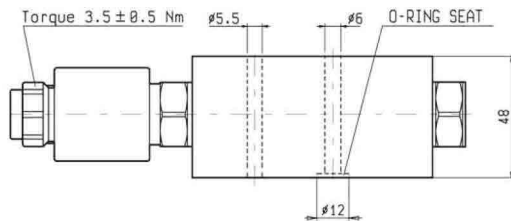
UKŁADY HYDRAULICZNE

**HYDROMA**

ГИДРАВЛИЧЕСКИЕ СИСТЕМЫ

**SANDWICH VALVES  
MODULES WITH SOLENOID VALVES**

**EM-VEI8A-CETOP 3-A**



**DESCRIPTION - OPERATION**

These modules include one two-way solenoid operated cartridge valves VEI-8A-06; they can be sandwich-mounted on CETOP 3 ( size 6 ) flanges.

**FEATURES - RATINGS**

**Maximum Operating Pressure 250 bar**

**Rated Flow 40 l/min**

- See cartridge data sheets for curves, features and functional details.
- Manifolds in high-strength aluminum for working pressures up to 250 bar.
- Special steel manifolds can be supplied upon request for working pressures up to 350 bar and for fatigue cycle applications with any working pressure.
- **IMPORTANT** : All products shown in this page are not available from stock and not included in our standard price list. Please contact our Sales Department for any information.

**ORDERING CODE AND OPTIONS**

**OP.14 - K - 18.29 - Y**

**K** Same as cartridge code

**CARTRIDGES TO BE INSERTED**

- OD.15.05.18. - Y - 00
- OD.15.06.18. - Y - 00
- OD.15.31.18. - Y - 00
- OD.15.32.18. - Y - 00

Y	MANUAL OVERRIDE OPTIONS			
	K = 05	K = 06	K = 31	K = 32
17	/	No Override	/	No Override
18	/	Push Style	/	Push Style
19	/	Push and Twist Style	/	Push and Twist Style
37	No Override	/	No Override	/
47	Knob Style	/	Knob Style	/