

Part number:

006-10450

HYDROMA

HYDRAULICKÉ SYSTÉMY

**HIDROMA
SISTEMS**

UKŁADY HYDRAULICZNE

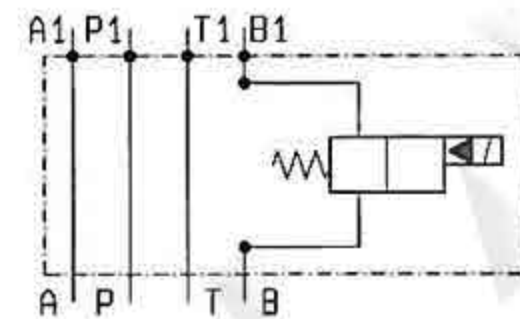
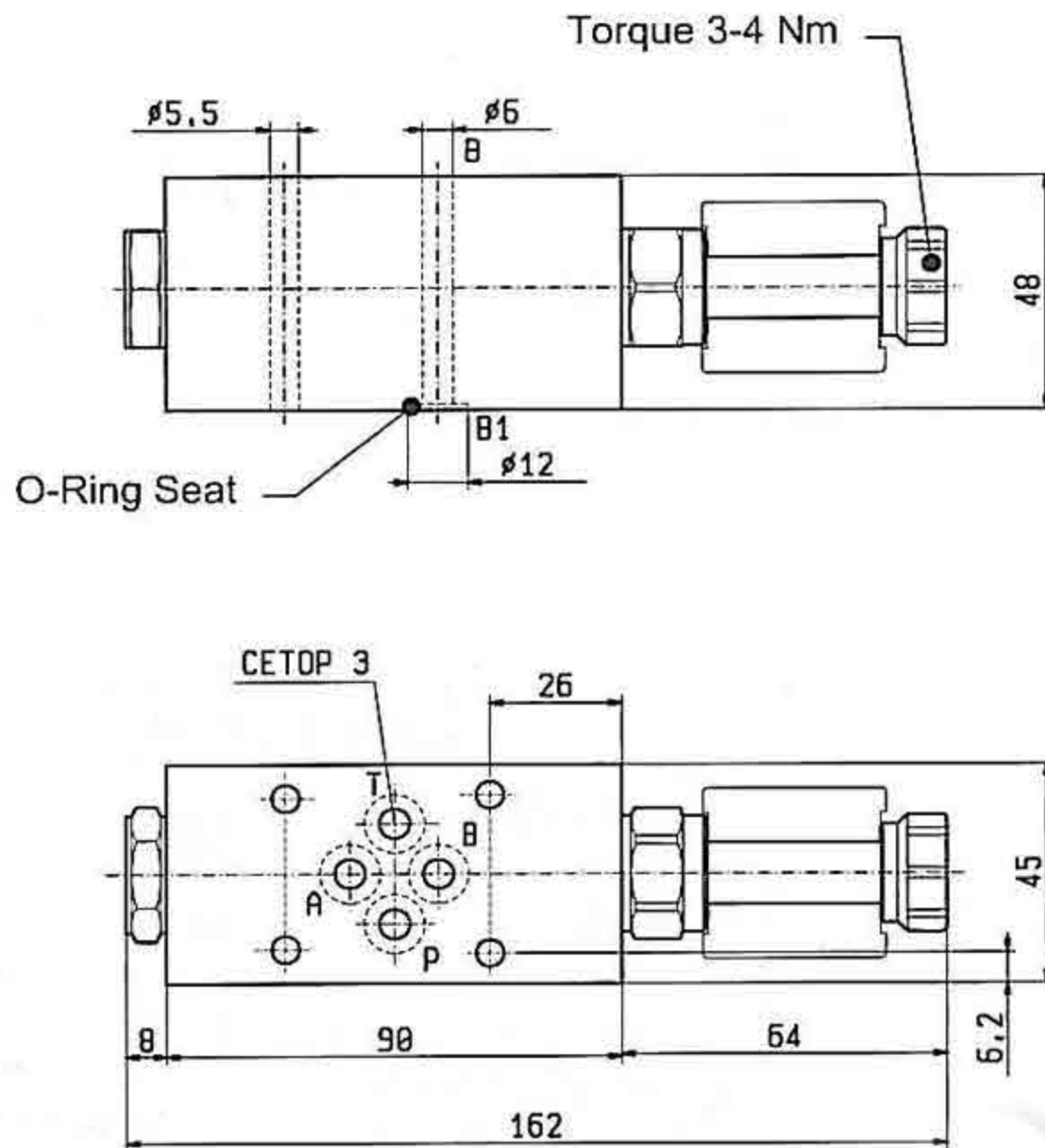
HYDROMA

ГИДРАВЛИЧЕСКИЕ СИСТЕМЫ

**SANDWICH VALVES
MODULES WITH SOLENOID VALVES**

EM-VEI8A-CETOP 3-B

OP.16 - K - 18.29 - Y



These modules include one two-way solenoid operated cartridge valves VEI-8A-06

TECHNICAL DATA

Maximum Operating Pressure 250 bar

Rated Flow 40 l/min

See cartridge data sheets for curves, features and functional details.

Manifolds in high-strength aluminum for working pressures up to 250 bar.

Special steel manifolds can be supplied upon request for working pressures up to 350 bar and for fatigue cycle applications.

IMPORTANT : All products shown in this page are not available from stock and not included in our standard price list. Please contact our Sales Department for any information.

K	Same as cartridge code
----------	------------------------

Y	MANUAL OVERRIDE OPTIONS			
	K = 05	K = 06	K = 31	K = 32
17	/	No Override	/	No Override
18	/	Push Style	/	Push Style
19	/	Push and Twist Style	/	Push and Twist Style
37	No Override	/	No Override	/
47	Knob Style	/	Knob Style	/

CARTRIDGES TO BE INSERTED (OD.15 - K - 18 - Y - 00)	
VEI	
OD.15.05.18. - Y - 00	
OD.15.06.18. - Y - 00	
OD.15.31.18. - Y - 00	
OD.15.32.18. - Y - 00	
